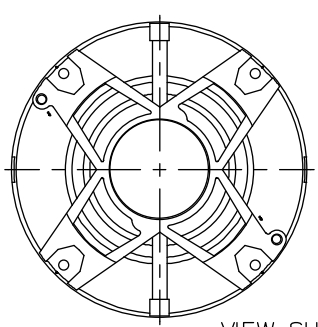
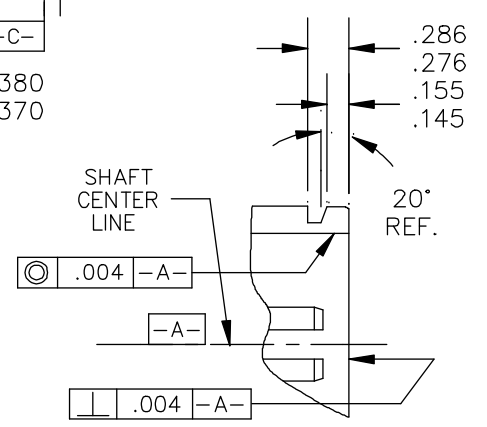
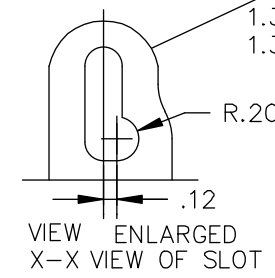
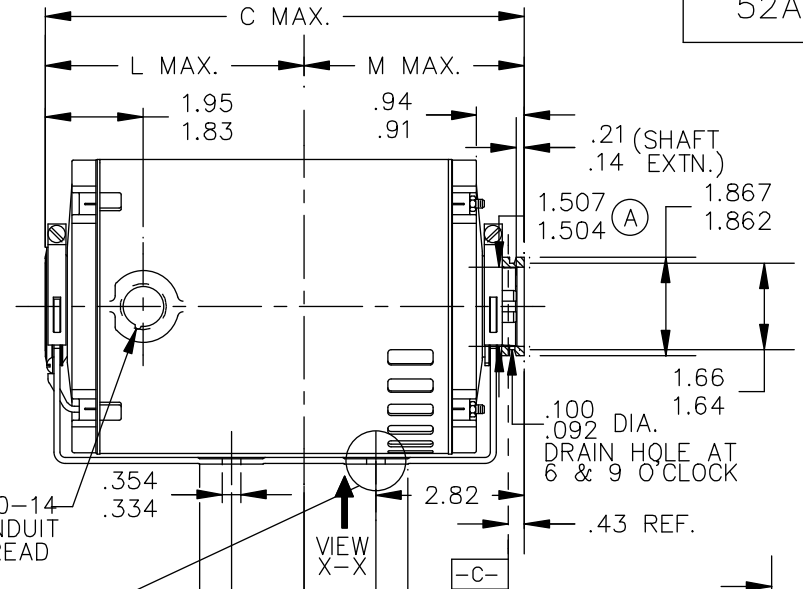
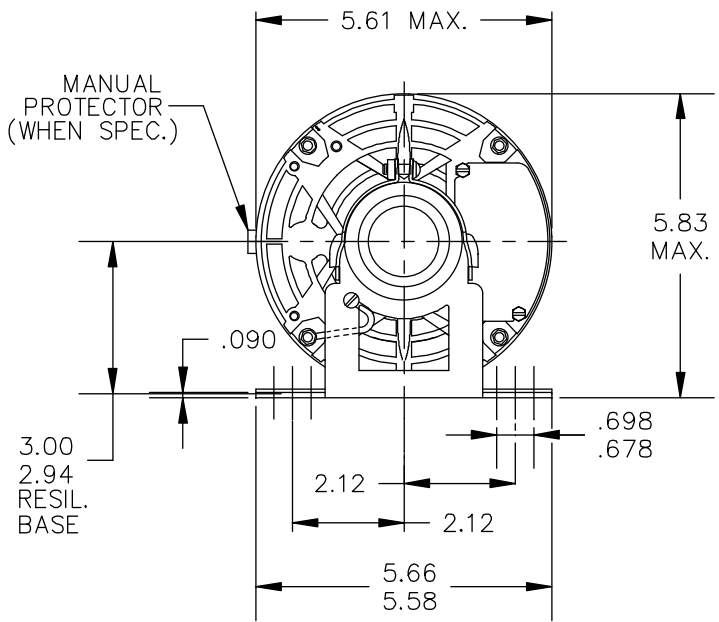
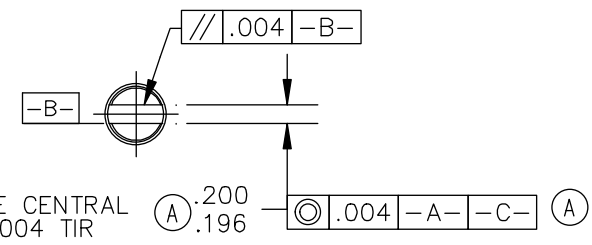
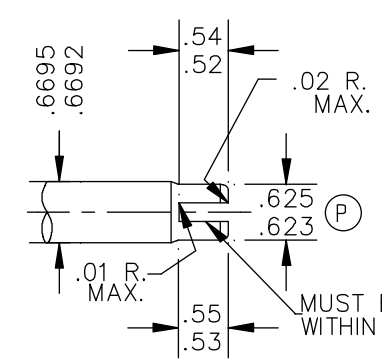


52A111766

CONTROL SURFACES & DIMENSIONS
 (P) PROC.
 (E) ENG.
 (A) APPL.
 (R) REG.



VIEW SHOWING P.E. VENTILATION OPENINGS



6	KH	38	48Y	9.75	5.60	4.28
5	KH	37	48Y	9.15	5.01	4.28
4	KH	36	48Y	8.75	4.61	4.28
3	KH	35	48Y	8.32	4.18	4.28
2	KH	33	48Y	7.94	3.80	4.28
1	KH	32	48Y	7.69	3.55	4.28
P	TYPE	RBC SIZE	NEMA FR	C	L	M

				TOLERANCES UNLESS SPECIFIED		DRAWN MDU 02/20/07	
				DEC.	INCHES	CHK	
4	ADDED MANUAL PROT. NOTE PER SAMPLE DS13-2736	GRB 05/23/13	GRB	.X	±0.1	APPD DS 02/20/07	
3	CHG GD LD FROM 4:30 TO 7:30 PER IS11-0510 & REDRAWN IN DRAFT SIGHT	UD 9/25/12	PKG	.XX	±0.02	SCALE 1=1	
2	UPDATED PER ISO7-0144	MDU 02/20/07		.XXX	±0.005	REF	
NO.	REVISION	BY & DATE	CHK	ANG	±1.0	FMF	
THIS DRAWING IN DESIGN AND DETAIL IS OUR PROPERTY AND MUST NOT BE USED EXCEPT IN CONNECTION WITH OUR WORK. ALL RIGHTS OF DESIGN AND INVENTION ARE RESERVED. THIS IS AN ELECTRONICALLY GENERATED DOCUMENT - DO NOT SCALE THIS PRINT				RFP	CAD FILE	52A111766	SIZE
				DIST			DRAWING NO.
						A	52A111766
							REV.
							4



TITLE
 CARBONATOR PUMP-DRIP PROOF -RESIL. BASE