

Product Information Packet

February 24, 2017

Data shown is for the current revision model #. Ensure your nameplate model # matches.

Model Number:	5KS254CAA204C
Catalog Number:	E9624
Instruction Manual:	GEI-56128
Connection Diagram:	GEM2034E-FIG7
Outline Drawing:	4002B5825RAP5201

Accessory Connection Diagrams			
Bearing Thermocouple:	None	Heater:	None
RTD:	None	Thermistor:	None
Thermostat:	3027JE-2A	Winding Thermocouple:	None
Bearing RTD:	None		

Table of Contents

Specification	01
Performance Characteristics	02
Outline Drawing	03
Connection Drawing(s)	04
Spare parts	05



Marks:

MODEL NUMBER:	5KS254CAA204C	Estimated Weight:	315 Lbs
Outline Drawing:	4002B5825RAP5201	Time Rating:	CONT
Connection Diagram:	GEM2034E-FIG7	Enclosure:	TEFC
Instruction Book:	GEI-56128	Encl Construction:	XP
Design Code:	25BD1162B	Ambient Max(°C):	40
Type:	KS	Alt Ambient Max(°C):	--
Frame:	254T	Insulation Class:	F
Phases:	3	NEMA Design:	B
Poles:	4	Nominal Efficiency:	92.4 %
Output Power:	15HP 11.1KW	Guaranteed Efficiency:	91.0
RPM:	1775	3/4 Load Efficiency:	--
Voltage:	575	KVA Code:	G
Hertz:	60	Max KVAR:	6.2
Amps - FL:	15.1	Power Factor:	80.5
Service Factor:	1.00	Bearing - DE:	6309ZC3
Alt Service Factor:	--	Bearing - ODE:	6309ZC3

Enclosure is Totally Enclosed Fan-Cooled

Stamped Nameplate Notes:

EXPLOSION PROOF MOTOR
TEMP CODE T3C
THERMOSTAT LEADS TB1-TB2
STAMP NP249A5571AD "CL I (C & D) CL II (F & G)"

Additional Information:

4P - T EXTN
STANDARD FLOOR MOUNT
C/BOX 127 CU IN-1.25 NPT
F1 CONDUIT BOX MOUNTING
AUX LEADS EXIT WITH MOTOR LEADS
CL I C & D CL II F & G EXPLOSION PROOF MOTOR

Performance Characteristics

1st Winding 1st Connection

Design: 25BD1162B

Marks:

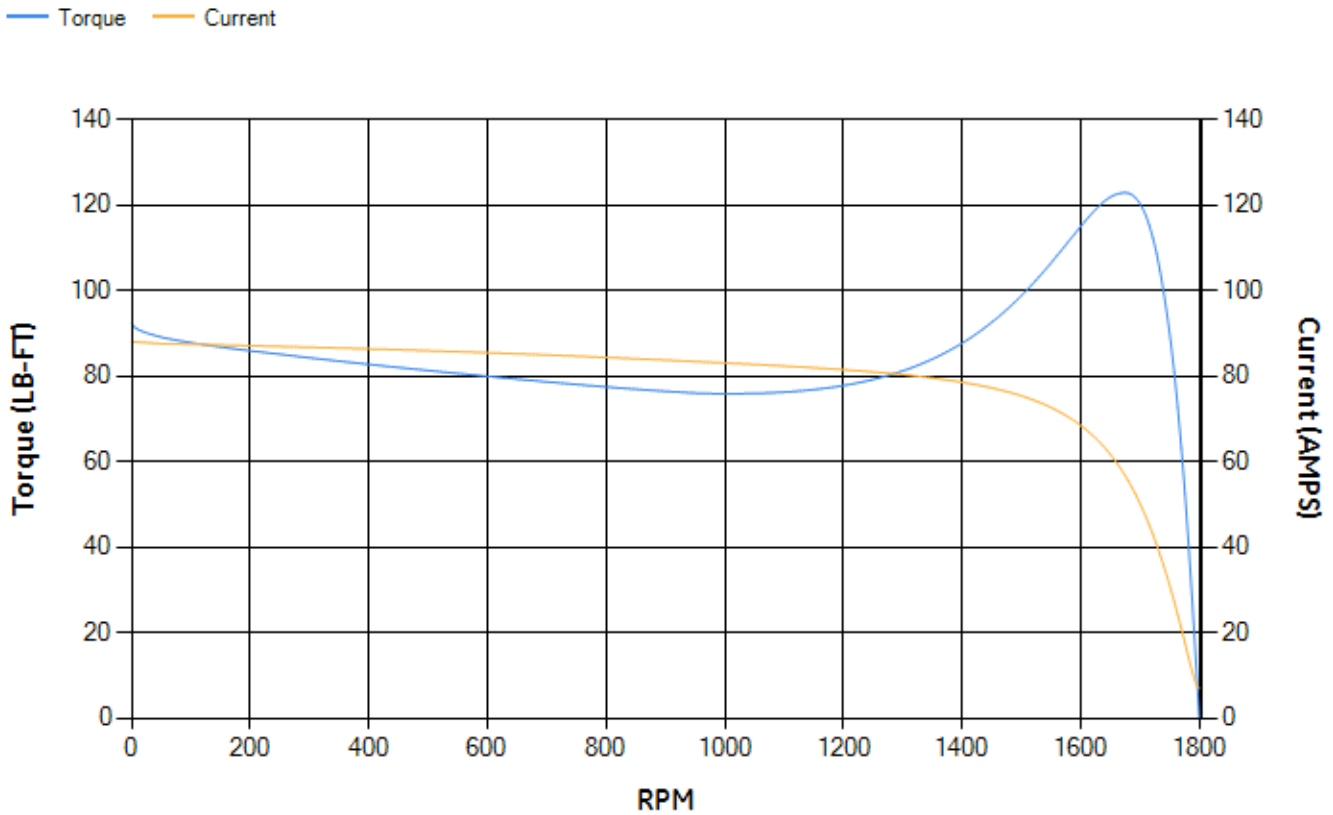
LOAD %	125.0	115.0	100.0	75.0	50.0	25.0	0.0
% EFF	91.5	91.88	92.54	92.72	92.19	88.49	0.00
% PF	83.3	82.46	80.6	74.98	63.59	41.17	4.47
AMPS	18.42	17.05	15.06	12.12	9.58	7.71	6.87

TORQ(FL)#FT	44.38	TORQ(LR)%FL	208.05	TORQ(BD)%FL	275.67
AMPS(LR)	87.99	PF AT START	0.46		

This motor is capable of two cold or one hot start with a maximum connected load inertia of 468 Lb-Ft Sq (19.7 Kg-meter Sq)at 100% voltage, where the load torque varies with the square of the speed. Acceleration time with maximum inertia and the above load type is 38 seconds. Safe stall time at 100% voltage is 86 seconds cold, 55 seconds hot. Rotor inertia is 1.99 Lb-Ft Sq (0.08 Kg-meter Sq).

Open Circuit A-C:	0.386	Short Circuit D-C:	0.012
Short Circuit A-C:	0.023	X/R Ratio:	4.473
Stator Slots:	48	Rotor Slots:	40

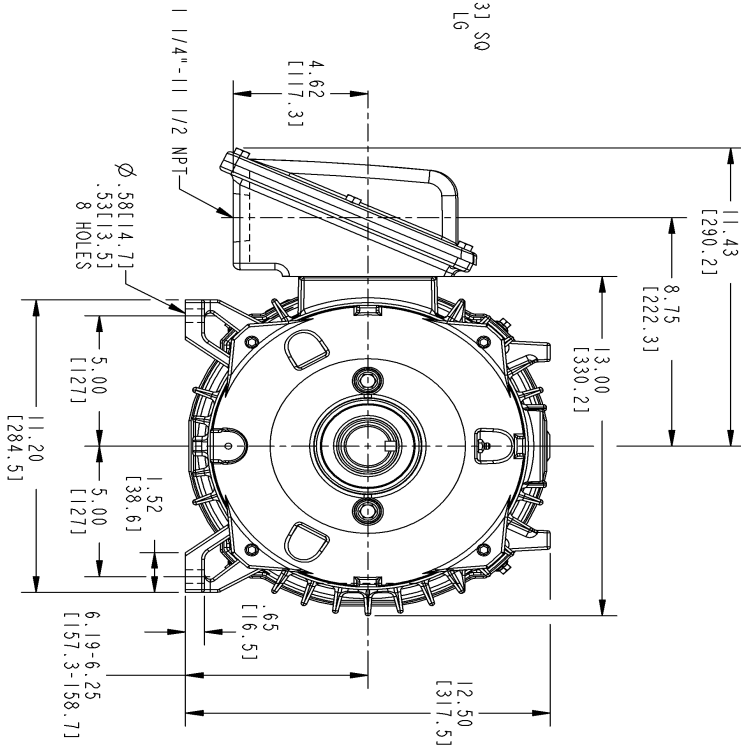
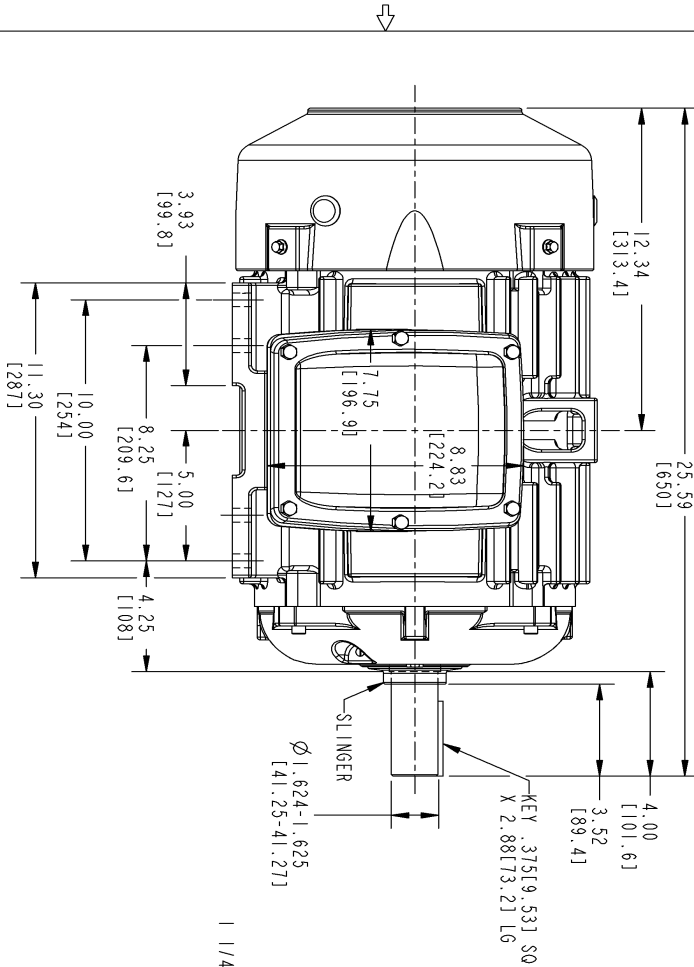
Speed Torque Current Curve (First Connection, First Speed)



NAME:500957145 OBJECT:4002B5825RAP5201 DATE:23-Nov-07 19:23:09

Marks:

NOTE 1: CONDUIT BOX MAY BE ASSEMBLED WITH ENTRANCE UP, DOWN OR TO EITHER SIDE.
 NOTE 2: F1 ASSEMBLY AS SHOWN. F2 ASSEMBLY CONDUIT BOX ON OPPOSITE SIDE FROM SHOWN LOCATION.

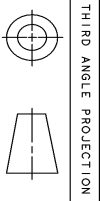


REV.	DESCRIPTION	DATE	APPROVED
1	DUAL DIMENSION ADDED	SMITHUN	HEMANTH

SIZE DRAWING NO. 4002B5825RAP5201

SH 1 REV

REVISIONS



THIRD ANGLE PROJECTION

SIGNATURES	DATE
DRWN: GARY WARRNER	JUN 21/02
CHECKED: GARY WARRNER	JUN 21/02
ENGR: GARY WARRNER	JUL 04/02
ISSUED: GARY WARRNER	JUL 04/02

GE Industrial Systems
GENERAL ELECTRIC COMPANY
 Fort Wayne, Indiana

INDUCTION MOTOR OUTLINE
 STANDARD CONSTRUCTION
 FME: FR250T FCXR XSD ULTRA

SIZE DRAWING: 4002B5825RAP5201
 SCALE: 0.250 REF. NO.: 4002B5825RAP5201 SHEET 1 OF 1

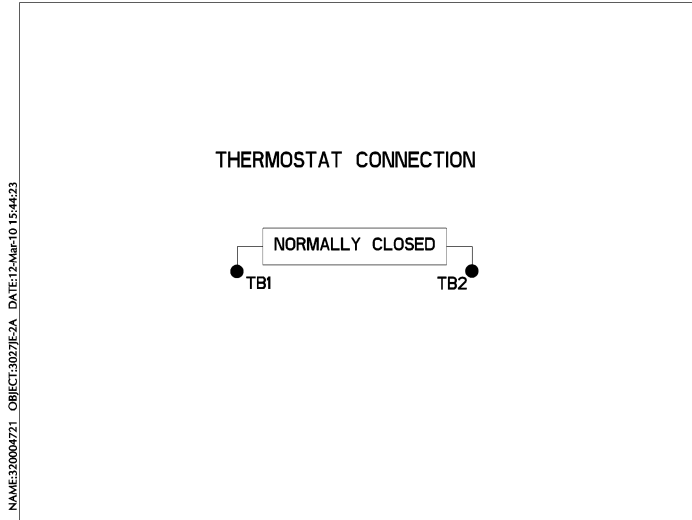
DISTRIBUTION: PMP-18K15

Marks:

Connection Diagram
GEM2034E-FIG7



Thermostat Connection
3027JE-2A



End shield Assembly		
Part Description	DE Side Part#	ODE Side Part#
End Shield	4004D5273PA1	4004D5273SA1
Bearing		
Slinger/Inproseal		

Fan & Fan Cover Assembly	
Part Description	Part#
Fan	159C6700G02
Fan Cover	

Conduit & Accessories Box Assembly	
Part Description	Part#
Conduit Box	4002B5728RA-G02

Mechanical Accessories	
Part Description	Part#
Brake	
Tachometer	

