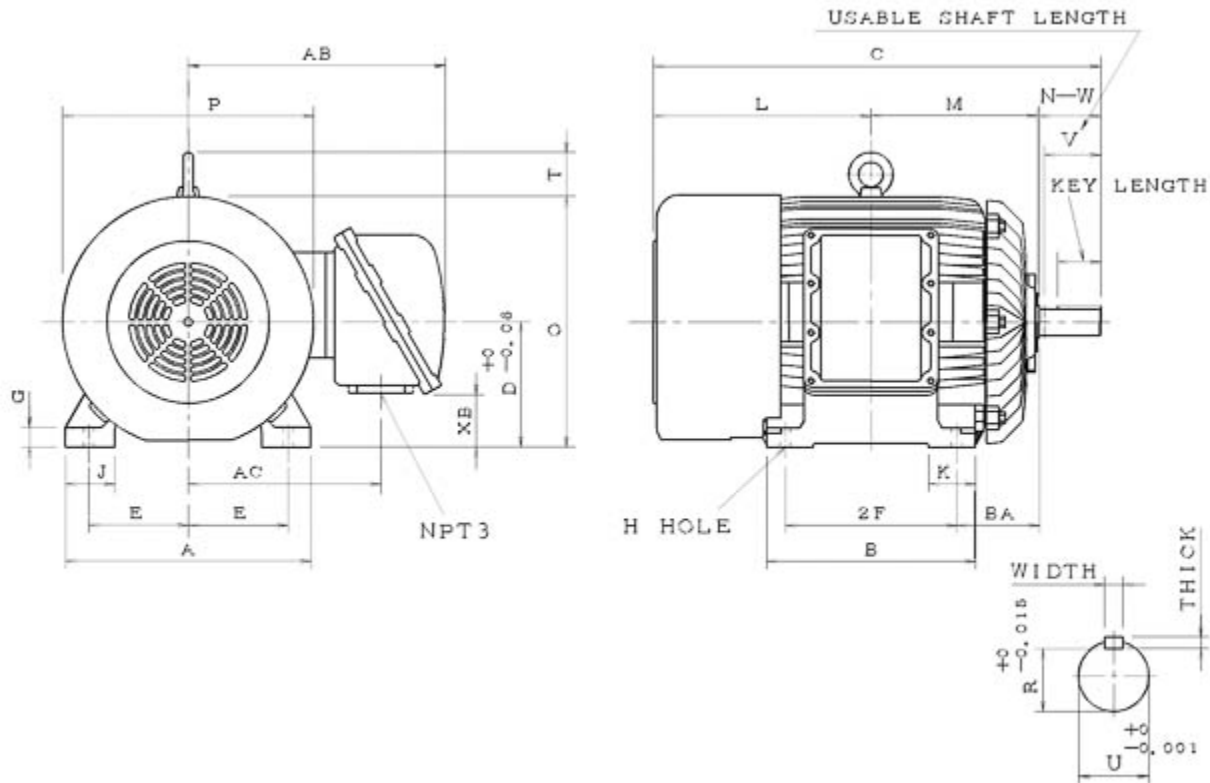


**Dimensional Drawing**

|           |        |     |      |     |            |         |    |      |
|-----------|--------|-----|------|-----|------------|---------|----|------|
| Catalogue | Model  | HP  | Pole | kW  | Rating     | Voltage | Hz | RPM  |
| XH15025   | AEHHXU | 150 | 2    | 112 | Continuous | 575 V   | 60 | 3600 |



AEHHXU-HMP-1 1 0

| Frame Size       | Mounting |      |          |         |                    | A           | B          | C     | CD              | D          |         |
|------------------|----------|------|----------|---------|--------------------|-------------|------------|-------|-----------------|------------|---------|
|                  | E        | 2F   | 2F2      | H       | BA                 |             |            |       |                 |            |         |
| 445TS            | 9        | 16.5 |          | 0.81    | 7.5                | 22.05       | 19.5       | 40.3  |                 | 11         |         |
| G                | J        | K    | L        | M       | O                  | P           | T          | Key   |                 |            | Keyseat |
| 1.55             | 4.35     | 4.35 | 19.8     | 15.45   | 22.25              | 23.3        | 3.55       | Width | Thick           | Length     | R       |
|                  |          |      |          |         |                    |             |            | 0.625 | 0.625           | 3.03       | 2.021   |
| Terminal Housing |          |      |          | Aux Box |                    | C/D Flange  |            |       |                 |            |         |
| AA               | AB       | AC   | XB       | AE      | AX                 | BB          | AH         | AK    | BD              | AJ         | BF      |
| NPT3"            | 21.65    | 16.6 | 5.1      |         |                    |             |            |       |                 |            |         |
| Shaft Extension  |          |      | Bearings |         | Approx. Weight Lbs | SPL dBA/3ft | Ins. Class | S.F.  | Drive Method    | Dimensions |         |
| N-W              | U        | V    | DE       | NDE     |                    |             |            |       |                 |            |         |
| 4.75             | 2.375    | 4.5  | 6313C3   | 6313C3  | 1600               | 85.0        | F          | 1.15  | Direct Coupling | Inches     |         |

### Technical Data Sheet

Motor Type: AEHHXU

Catalogue No: XH15025

#### Nameplate Information

|           |            |                |             |             |              |                |
|-----------|------------|----------------|-------------|-------------|--------------|----------------|
| HP        | Pole       | RPM            | Frame       | Voltage     | Hz           | Phase          |
| 150       | 2          | 3570           | 445TS       | 575         | 60           | 3              |
| Enclosure | Ins. Class | Service Factor | Time Rating | NEMA Design | Rated Amb.   | Rated Altitude |
| TEXP      | F          | 1.15           | Continuous  | B           | -40 to 40 °C | <3300 ft       |

#### Typical Performance

| Efficiency (%)    |                             |                                 |                                      | Power Factor (%)    |           |                                |
|-------------------|-----------------------------|---------------------------------|--------------------------------------|---------------------|-----------|--------------------------------|
| Full Load         |                             | 3/4 Load                        | 1/2 Load                             | Full Load           | 3/4 Load  | 1/2 Load                       |
| Nom.              | Min.                        |                                 |                                      |                     |           |                                |
| 95.0              | 94.1                        | 94.5                            | 93.6                                 | 90.0                | 85.0      | 81.5                           |
| Torque            |                             |                                 |                                      | Current (A)         |           |                                |
| Full Load (lb-ft) | Locked Rotor (% FLT)        | Pull Up (% FLT)                 | Break Down (% FLT)                   | No Load             | Full Load | Locked Rotor                   |
| 220.6             | 100.0                       | 80.0                            | 210.0                                | 33.6                | 131.2     | 868                            |
| NEMA KVA Code     | Inertia (WR <sup>2</sup> )  |                                 |                                      | Safe Stall Time (s) |           | Noise Level Sound Press. dB(A) |
|                   | Rotor (lb-ft <sup>2</sup> ) | NEMA Load (lb-ft <sup>2</sup> ) | Max. Allowable (lb-ft <sup>2</sup> ) | Cold                | Hot       |                                |
| G                 | 22.0                        | 133.0                           | 215.0                                | 55.0                | 17.0      | 85.0                           |

#### VFD Duty Information

| Speed Range     |                 |                | VFD     |              | S.F.     |
|-----------------|-----------------|----------------|---------|--------------|----------|
| Constant Torque | Variable Torque | Constant Power | Carrier | Type         |          |
| 6-60Hz          | 3-60Hz          | 60-90Hz        | ≤ 5 kHz | VPWM or CPWM | 1.0 Only |

#### Additional Information

| Bearings |        | Approx. Weight |
|----------|--------|----------------|
| DE       | NDE    | lbs            |
| 6313C3   | 6313C3 | 1600           |

#### Hazardous Locations Information

| CSA/UL Certified  |           |
|---|-----------|
| Class I, Div 1, Groups D; Class II, Div 1, Groups E, F & G<br>Class I, Zone 1, Groups IIA; Class II, Div 1, Groups E, F & G |           |
| Temp Code (Sinewave / VFD)  | T3B / T3B |