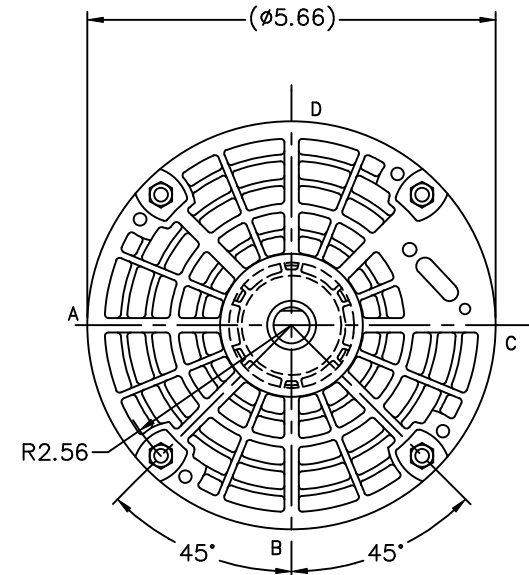
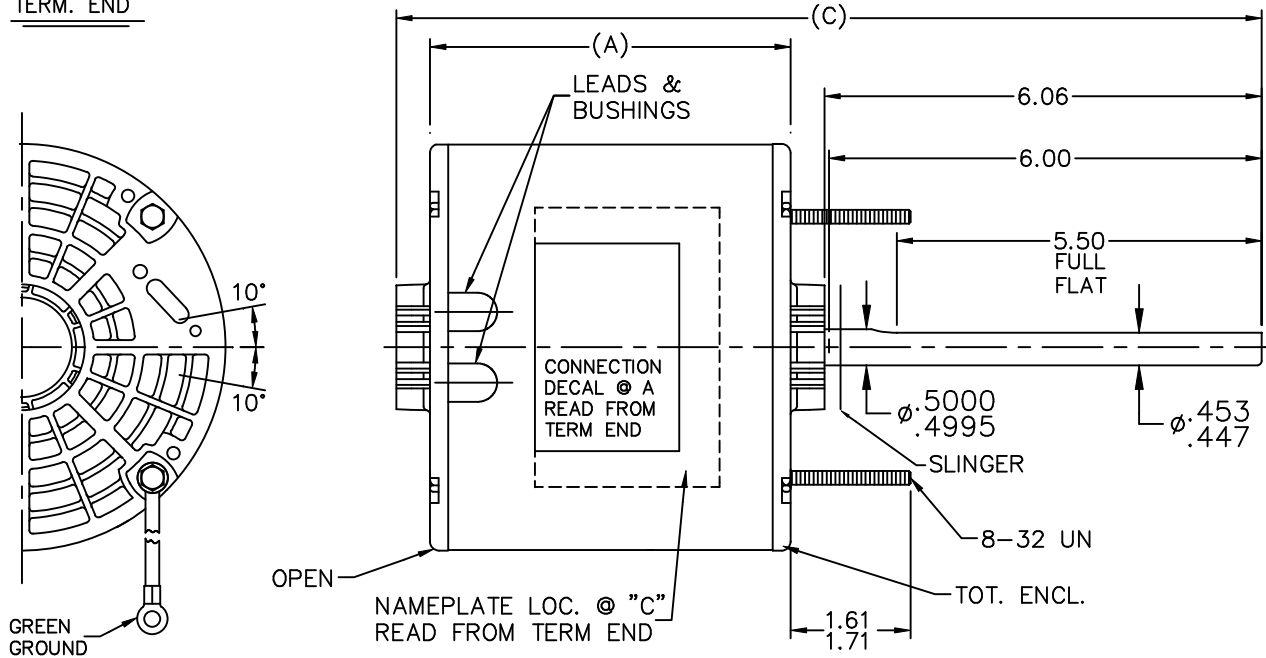


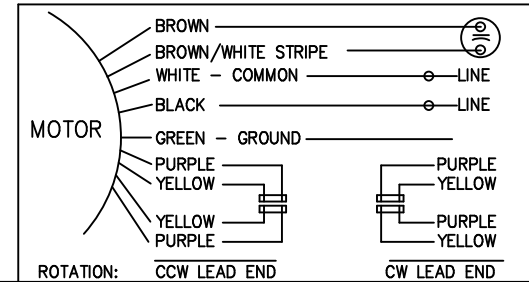
TERM. END



DASH	FRAME	B	O.L.
375	48Y	11.19	4.25
400	48Y	11.44	4.50
450	48Y	11.94	5.00
500	48Y	12.44	5.50

LEAD DESCRIPTION:

1 BLACK AND 1 WHITE LEAD WITH .50 BARE WIRE STRIP 30.00" LONG.
 2 BROWN CAPACITOR LEADS WITH .25 FLAG-TYPE QUICK CONNECTS 30.00" LONG. BROWN WITH WHITE MARK IS COMMON TO WHITE LEAD.
 REVERSING LEADS ARE MOLDED INTO MATING PULL APART PLUGS.
 1 PURPLE AND 1 YELLOW PER PLUG 5.00" LONG.
 GREEN GROUND LEAD WITH TERM. FOR #10 SCREW 12.00" LONG.



NO.	REVISION	BY & DATE	CHK	TOLERANCES UNLESS SPECIFIED	
				DEC.	INCHES
				.X	$\pm .1$
				.XX	$\pm .03$
				.XXX	$\pm .005$
				.XXXX	$\pm .0005$
				ANG	$\pm 7'30''$

MARATHON ELECTRIC

TITLE OUTLINE

MAT'L.

FINISH

DRAWN	GRB 05-22-2008
CHK	SP 05-22-2008
APPD	NB 05-22-2008
SCALE	3=8
REF	SS73903
FMF	08-0421
PREV	

THIS DRAWING IN DESIGN AND DETAIL IS OUR PROPERTY AND MUST NOT BE USED EXCEPT IN CONNECTION WITH OUR WORK ALL RIGHTS OF DESIGN AND INVENTION ARE RESERVED THIS IS AN ELECTRONICALLY GENERATED DOCUMENT - DO NOT SCALE THIS PRINT		RFP 05-22-2008	CAD FILE ss403721	SIZE A	DRAWING NO. SS403721	PAGE OF	REV.
		DIST WP					

```
ERROR: undefined
OFFENDING COMMAND: Ps

STACK:
```