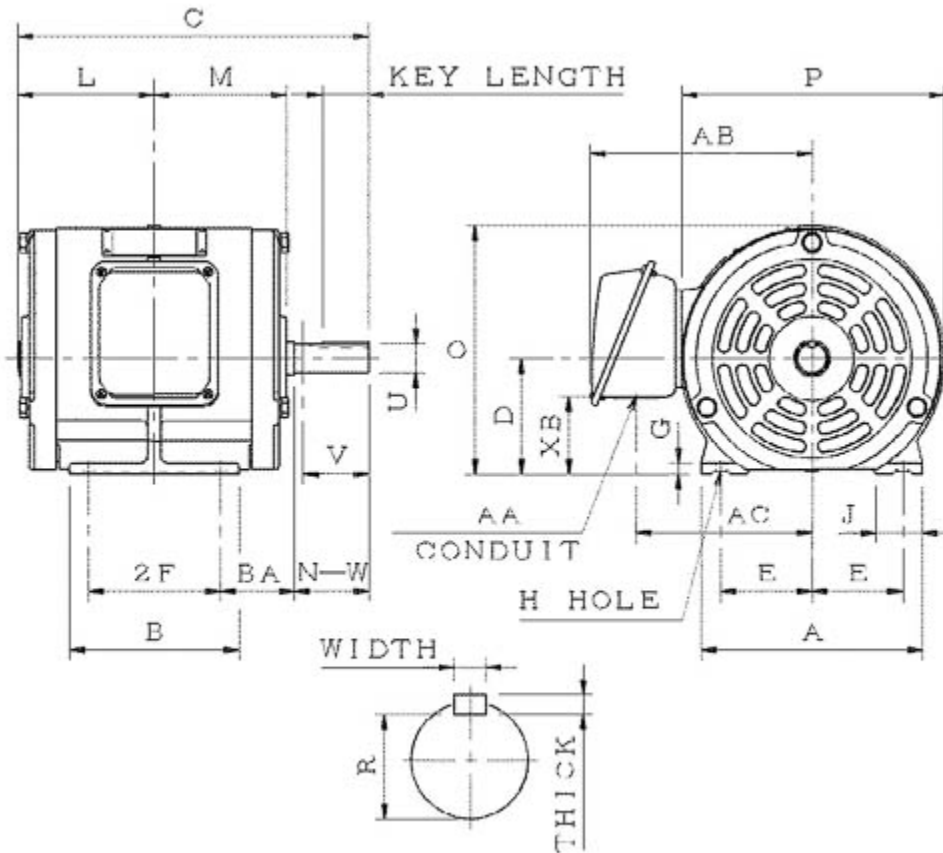


**Dimensional Drawing**

|           |       |     |      |     |            |             |    |      |
|-----------|-------|-----|------|-----|------------|-------------|----|------|
| Catalogue | Model | HP  | Pole | kW  | Rating     | Voltage     | Hz | RPM  |
| SDP1/52   | ASHH  | 1.5 | 2    | 1.1 | Continuous | 230 / 460 V | 60 | 3600 |



ASHH-SMP-1

| Frame Size       | Mounting |     |          |         |                    | A           | B          | C     | CD                           | D          |         |
|------------------|----------|-----|----------|---------|--------------------|-------------|------------|-------|------------------------------|------------|---------|
|                  | E        | 2F  | 2F2      | H       | BA                 |             |            |       |                              |            |         |
| 143T             | 2.75     | 4   |          | 0.34    | 2.25               | 6.7         | 5.1        | 10.65 |                              | 3.5        |         |
| G                | J        | K   | L        | M       | O                  | P           | T          | Key   |                              |            | Keyseat |
| 0.35             | 1.4      |     | 4.15     | 4       | 7.5                | 7.87        |            | Width | Thick                        | Length     | R       |
|                  |          |     |          |         |                    |             |            | 0.188 | 0.188                        | 1.41       | 0.711   |
| Terminal Housing |          |     |          | Aux Box |                    | C/D Flange  |            |       |                              |            |         |
| AA               | AB       | AC  | XB       | AE      | AX                 | BB          | AH         | AK    | BD                           | AJ         | BF      |
| 1.1              | 6.7      | 5.3 | 2.3      |         |                    |             |            |       |                              |            |         |
| Shaft Extension  |          |     | Bearings |         | Approx. Weight Lbs | SPL dBA/3ft | Ins. Class | S.F.  | Drive Method                 | Dimensions |         |
| N-W              | U        | V   | DE       | NDE     |                    |             |            |       |                              |            |         |
| 2.25             | 0.875    | 2.2 | 6205ZZ   | 6205ZZ  | 53                 | 52          | F          | 1.15  | Direct Coupling / Belt Drive | Inches     |         |

### Technical Data Sheet

Motor Type: ASHH

Catalogue No: SDP1/52

#### Nameplate Information

|           |            |                |             |             |              |                |
|-----------|------------|----------------|-------------|-------------|--------------|----------------|
| HP        | Pole       | RPM            | Frame       | Voltage     | Hz           | Phase          |
| 1.5       | 2          | 3480           | 143T        | 230 / 460   | 60           | 3              |
| Enclosure | Ins. Class | Service Factor | Time Rating | NEMA Design | Rated Amb.   | Rated Altitude |
| ODP       | F          | 1.15           | Continuous  | C           | -40 to 40 °C | <3300 ft       |

#### Typical Performance

| Efficiency (%)    |                             |                                 |                                      | Power Factor (%)    |           |                                |
|-------------------|-----------------------------|---------------------------------|--------------------------------------|---------------------|-----------|--------------------------------|
| Full Load         |                             | 3/4 Load                        | 1/2 Load                             | Full Load           | 3/4 Load  | 1/2 Load                       |
| Nom.              | Min.                        |                                 |                                      |                     |           |                                |
| 85.5              | 82.5                        | 85.5                            | 82.5                                 | 80.0                | 72.5      | 58.5                           |
| Torque            |                             |                                 |                                      | Current (A)         |           |                                |
| Full Load (lb-ft) | Locked Rotor (% FLT)        | Pull Up (% FLT)                 | Break Down (% FLT)                   | No Load             | Full Load | Locked Rotor                   |
| 2.26              | 360                         | 330                             | 400                                  | 2.4 / 1.2           | 4.1 / 2.1 | 40 / 20                        |
| NEMA KVA Code     | Inertia (WR <sup>2</sup> )  |                                 |                                      | Safe Stall Time (s) |           | Noise Level Sound Press. dB(A) |
|                   | Rotor (lb-ft <sup>2</sup> ) | NEMA Load (lb-ft <sup>2</sup> ) | Max. Allowable (lb-ft <sup>2</sup> ) | Cold                | Hot       |                                |
| M                 | 0.051                       | 1.8                             | 5.8                                  | 17                  | 12        | 52                             |

#### VFD Duty Information

| Speed Range     |                 |                | VFD     |              | S.F.     |
|-----------------|-----------------|----------------|---------|--------------|----------|
| Constant Torque | Variable Torque | Constant Power | Carrier | Type         |          |
| 6-60Hz          | 3-60Hz          | 60-120Hz       | ≤ 5 kHz | VPWM or CPWM | 1.0 Only |

#### Additional Information

| Bearings |        | Approx. Weight |
|----------|--------|----------------|
| DE       | NDE    | lbs            |
| 6205ZZ   | 6205ZZ | 53             |

#### Hazardous Locations Information

|                            |   |
|----------------------------|---|
| N/A                        |   |
| Temp Code (Sinewave / VFD) | / |