

Product Information Packet

November 9, 2016

Data shown is for the current revision model #. Ensure your nameplate model # matches.

Model Number:	5KS215SAA200D
Catalog Number:	M9892
Instruction Manual:	GEI-56128
Connection Diagram:	GEM2034E-FIG7
Outline Drawing:	4002B5821PBP5316

Accessory Connection Diagrams			
Bearing Thermocouple:	None	Heater:	None
RTD:	None	Thermistor:	None
Thermostat:	None	Winding Thermocouple:	None
Bearing RTD:	None		

Table of Contents

Specification	01
Performance Characteristics	02
Outline Drawing	03
Connection Drawing(s)	04
Spare parts	05



Marks:

MODEL NUMBER:	5KS215SAA200D	Estimated Weight:	220 Lbs
Outline Drawing:	4002B5821PBP5316	Time Rating:	CONT
Connection Diagram:	GEM2034E-FIG7	Enclosure:	TEFC
Instruction Book:	GEI-56128	Encl Construction:	X\$D
Design Code:	21BD1134A	Ambient Max(°C):	40
Type:	KS	Alt Ambient Max(°C):	65
Frame:	215TC	Insulation Class:	H
Phases:	3	NEMA Design:	B
Poles:	4	Nominal Efficiency:	91.7 %
Output Power:	10HP 7.4KW	Guaranteed Efficiency:	91.0
RPM:	1765	3/4 Load Efficiency:	92.3
Voltage:	460	KVA Code:	H
Hertz:	60	Max KVAR:	3.0
Amps - FL:	12.2	Power Factor:	83.5
Service Factor:	1.25	Bearing - DE:	6309ZC3
Alt Service Factor:	1.00	Bearing - ODE:	6208ZC3

Enclosure is Totally Enclosed Fan-Cooled

Stamped Nameplate Notes:

SF AMPS 15.4
 STAMP NP249A5564P051 AS BELOW:
 MODEL:5KS215SAA200D S/N: XXX
 CSA CERTIFIED CSA09.2216219 FOR EX NA IIC 200C GC
 CL 1 ZONE2 AEX NA IIC 200C;CL 1 DIV2 GRP ABCD 200C
 IN -25C <= AMB <= 40C, 1.0 SF ON SINE-WAVE PWR
 SURF TEMP 200C AT 1.25SF ON SINE-WAVE PWR
 OR 200C VT OR 215C CT OR 200C CHP PWM CONTROL
 ALTERNATE RATING FOR PWM CONTROL 1.0SF 40C AMB
 VT 0 - 60 HZ, CT 3-60 HZ, CHP 60-90 HZ.

Additional Information:

4P - T EXTN
 STANDARD FLOOR MOUNT
 C/BOX 55 CU IN-1.00 NPT
 F1 CONDUIT BOX MOUNTING
 "C" FACE AT DE ENDSHIELD
 INPRO SEAL DE ONLY
 OIL RESISTANT SLEEVING ON LEADS

Performance Characteristics

1st Winding 1st Connection

Design: 21BD1134A

Marks:

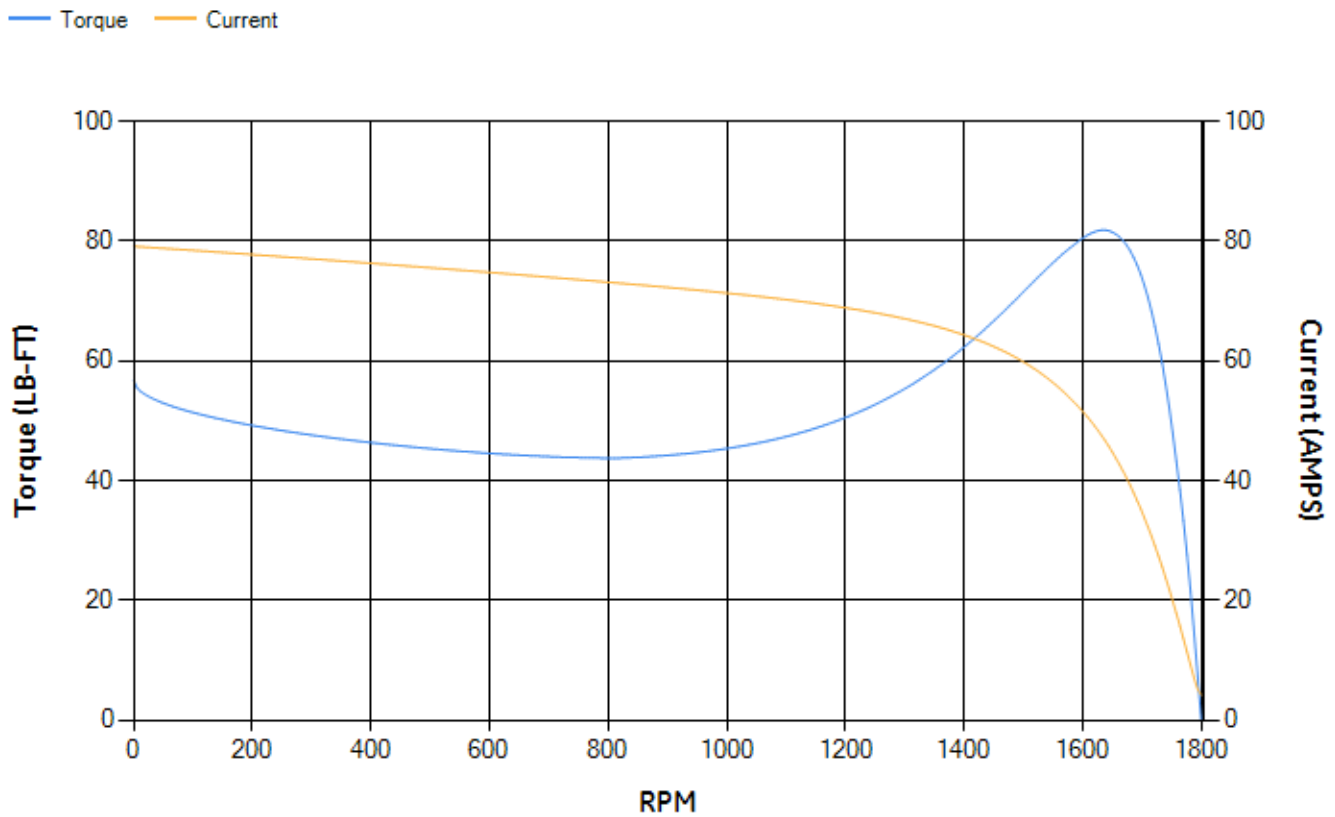
LOAD %	125.0	115.0	100.0	75.0	50.0	25.0	0.0
% EFF	90.28	90.86	91.78	92.33	92.15	88.91	0.00
% PF	84.32	84.28	83.68	80.6	72.42	51.52	5.88
AMPS	15.37	14.06	12.19	9.43	7.01	5.11	4.17

TORQ(FL)#FT	29.72	TORQ(LR)%FL	190.93	TORQ(BD)%FL	273.62
AMPS(LR)	79.12	PF AT START	0.4		

This motor is capable of two cold or one hot start with a maximum connected load inertia of 338 Lb-Ft Sq (14.23 Kg-meter Sq) at 100% voltage, where the load torque varies with the square of the speed. Acceleration time with maximum inertia and the above load type is 46 seconds. Safe stall time at 100% voltage is 102 seconds cold, 68 seconds hot. Rotor inertia is 1.13 Lb-Ft Sq (0.05 Kg-meter Sq).

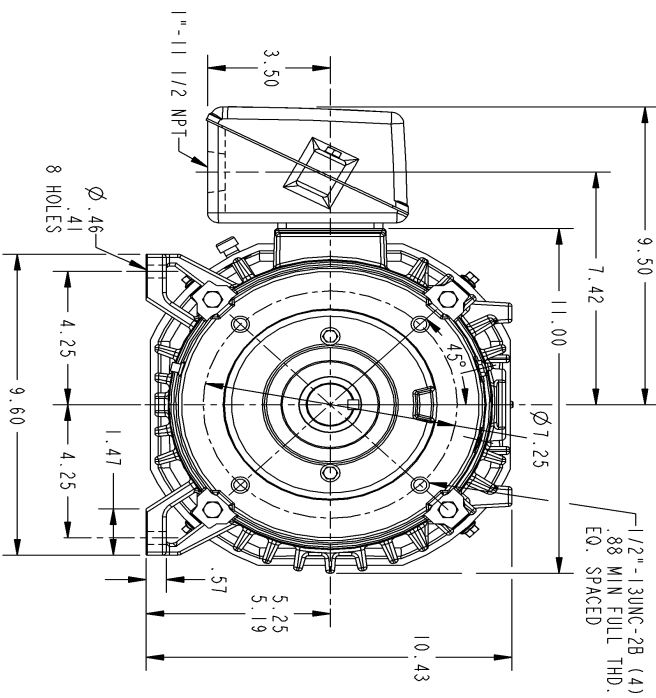
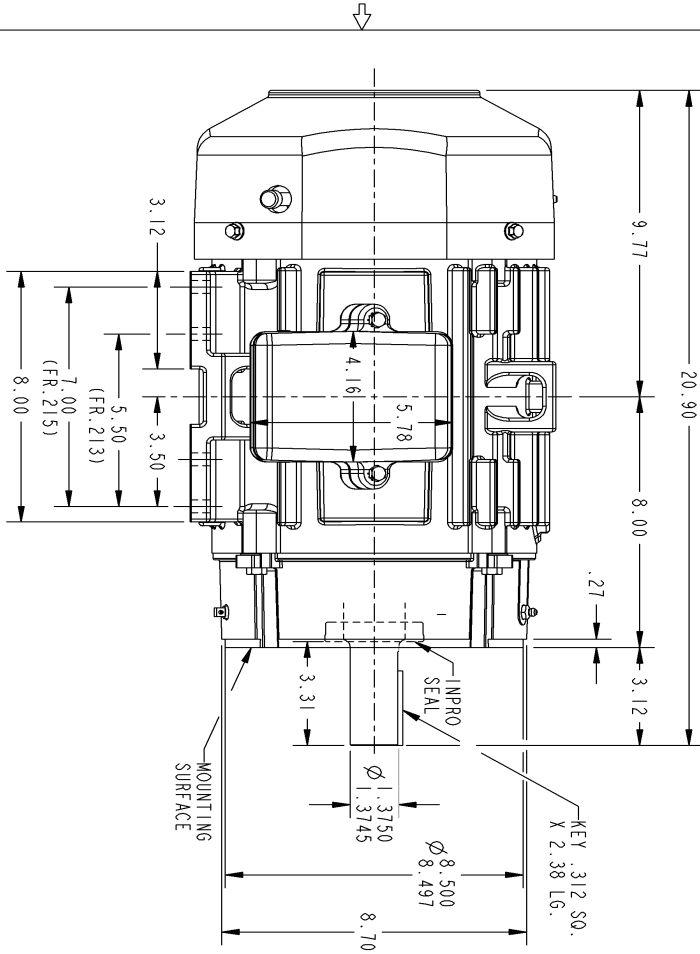
Open Circuit A-C:	0.422	Short Circuit D-C:	0.013
Short Circuit A-C:	0.02	X/R Ratio:	4.867
Stator Slots:	36	Rotor Slots:	28

Speed Torque Current Curve (First Connection, First Speed)



Marks:

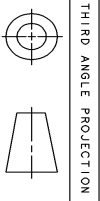
NOTE 1: CONDUIT BOX MAY BE ASSEMBLED WITH ENTRANCE UP, DOWN OR TO EITHER SIDE.
 NOTE 2: F1 ASSEMBLY AS SHOWN. F2 ASSEMBLY CONDUIT BOX ON OPPOSITE SIDE FROM SHOWN LOCATION.
 NOTE 3: MOUNTING SURFACES WILL BE SQUARE AND CONCENTRIC WITH SHAFT WITHIN .004 T.I.R.
 NOTE 4: SHAFT RUNOUT NOT TO EXCEED .002 T.I.R.



SIZE: B
 PARTING NO: 4002B5821PBP5316

SM: 0
 REV: 0

REV.	DESCRIPTION	DATE	APPROVED



SIGNATURES	DATE	GE Logo	GENERAL ELECTRIC COMPANY
DRWN: N PRAJSD	17/05/06	Systems	Fort Wayne, Indiana
CHEKED: RAVI KUMAR	17/05/06		
ISSUED: N PRAJSD	17/05/06		
APPLIED PRACTICES: B			

INDUCTION MOTOR OUTLINE
 "C" FACE AT DE WITH INPROSEAL
 FME: KS215TC "C" FACE (850° RABBER)

SIZE DRAWING: 4002B5821PBP5316
 SCALE: 0.300 REF. NO.: 4002B5821PBP5301 SHEET 1 OF 1

DISTRIBUTION: PMP-18K15

Marks:

Connection Diagram
GEM2034E-FIG7



End shield Assembly		
Part Description	DE Side Part#	ODE Side Part#
End Shield	128D6006PK1	4004D5282SJ1
Bearing	235A2607AA01	235A2603AA01
Slinger/Inproseal	235A4575GC6	149C4399G01

Fan & Fan Cover Assembly	
Part Description	Part#
Fan	159C6700G01
Fan Cover	4003C5787PA1

Conduit & Accessories Box Assembly	
Part Description	Part#
Conduit Box	4002B5721PA-G01

Mechanical Accessories	
Part Description	Part#
Brake	
Tachometer	