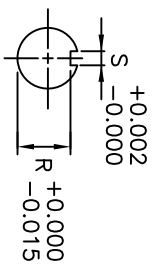
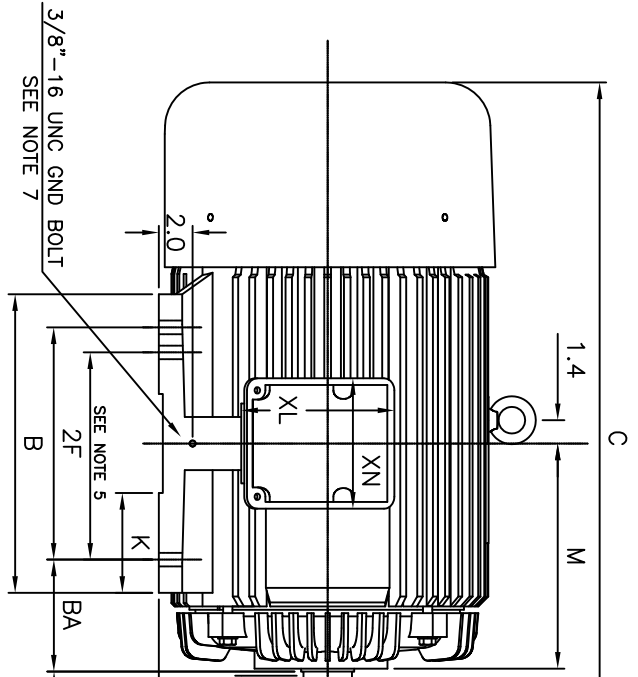
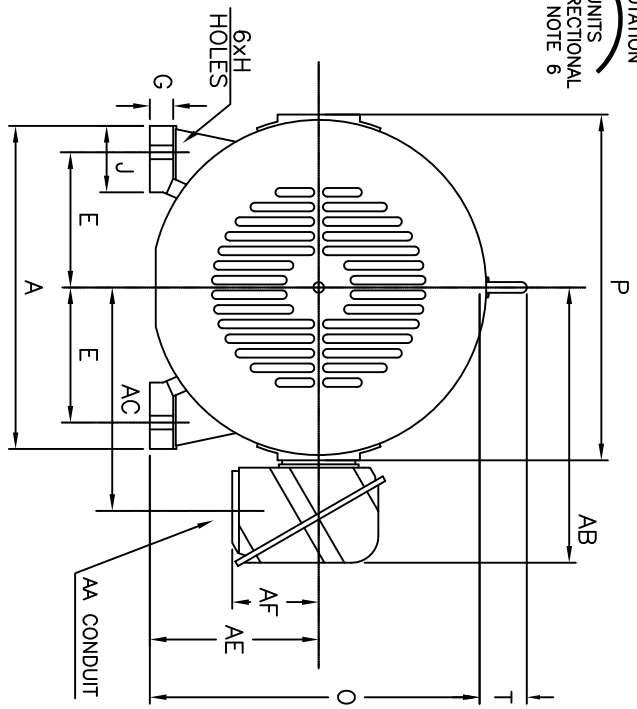


ROTATION  
UNITS  
BI-DIRECTIONAL  
SEE NOTE 6



UNITS: INCHES

FRAME SIZE	MOTOR DIMENSIONS														CONDUIT BOX				
	A	B	C	D	G	J	K	M	O	P	T	A[MPT]	AB	AC	AE	AF	XL	XN	
404TS/405TS	19.2	17.7	39.2	10.00	1.4	4.0	5.9	14.7	19.5	20.5	2.8	3.00	16.5	13.3	10.00	5.2	9.1	7.7	
404T/405T	19.2	17.7	42.2	10.00	1.4	4.0	5.9	14.7	19.5	20.5	2.8	3.00	16.5	13.3	10.00	5.2	9.1	7.7	

FRAME SIZE	MOUNTING					SHAFT EXTENSION					KEY SEAT			BEARINGS			MAXIMUM WEIGHT
	E	2F	H	BA	N-W	V	U	R	S	ES	LS	OS					
404TS/405TS	8.00	12.25/13.75	0.81	6.62	4.25	4.00	2.125	1.845	0.500	2.75	6313C3	6313C3	1380	lbs.			
404T/405T	8.00	12.25/13.75	0.81	6.62	7.25	7.00	2.875	2.450	0.750	5.62	6317C3	6313C3	1380	lbs.			

CUSTOMER: \_\_\_\_\_ MOTOR MODEL NO.: \_\_\_\_\_ TAG NO's.: \_\_\_\_\_

P.O. NO.: \_\_\_\_\_ HP: \_\_\_\_\_ VOLTAGE: \_\_\_\_\_ RPM(SYN.): \_\_\_\_\_ Hz: \_\_\_\_\_  
 FRAME SIZE: \_\_\_\_\_ PRODUCT TYPE: EQP III 840 & 841  
 COMMENTS: \_\_\_\_\_

PER: \_\_\_\_\_ DATE: \_\_\_\_\_

TOSHIBA RESERVES THE RIGHT TO MAKE CHANGES OF TECHNICAL IMPROVEMENT AND THE DATA MAY CHANGE WITHOUT NOTICE  PRELIMINARY  
 DO NOT USE FOR CONSTRUCTION, INSTALLATION, OR APPLICATION PURPOSES UNLESS THE DRAWING IS MARKED AS CERTIFIED  CERTIFIED

- NOTES:
- DIMENSION V REPRESENTS LENGTH OF STRAIGHT PART OF SHAFT
  - MAIN CONDUIT BOX MAY BE ROTATED IN 90° INCREMENTS
  - KEY DIMENSIONS EQUAL S x S x 5.62 FOR T AND S x S x 2.75 FOR TS (MOTOR SUPPLIED WITH KEY)
  - MOTOR WEIGHT SHOWN IS MAXIMUM HORSEPOWER IN FRAME
  - THIS DIMENSION EQUALS 2F FOR 404T/TS MOUNTING
  - STANDARD PRODUCT USE BI-DIRECTIONAL FAN. OPPOSITE ROTATION AVAILABLE ONLY BY CONNECTION CHANGE
  - FRAME GROUND BOLT STANDARD ON 841 PRODUCT

- STANDARD (NO AUX. BOXES)  
 RTD AUX. BOX  
 SPACE HEATER AUX. BOX  
 BEARING RTD's

# TOSHIBA

TOSHIBA INTERNATIONAL CORPORATION

TOTALLY-ENCLOSED FAN-COOLED  
 HORIZONTAL FOOT-MOUNTED  
 3 PHASE INDUCTION MOTOR  
 F1 ASSEMBLY

## XT SERIES

VISIT OUR WEBSITE AT:  
 www.toshiba.com/ind