

Product Information Packet

November 7, 2016

Data shown is for the current revision model #. Ensure your nameplate model # matches.

Model Number:	5KS213ATE105AF2
Catalog Number:	E7016
Instruction Manual:	GEI-M1023
Connection Diagram:	GEM2034E-FIG10
Outline Drawing:	358B6215AA

Accessory Connection Diagrams			
Bearing Thermocouple:	None	Heater:	None
RTD:	None	Thermistor:	None
Thermostat:	None	Winding Thermocouple:	None
Bearing RTD:	None		

Table of Contents	
Specification	01
Performance Characteristics	02
Outline Drawing	03
Connection Drawing(s)	04

Marks:

MODEL NUMBER:	5KS213ATE105AF2	Estimated Weight:	156 Lbs
Outline Drawing:	358B6215AA	Time Rating:	CONT
Connection Diagram:	GEM2034E-FIG10	Enclosure:	DP
Instruction Book:	GEI-M1023	Encl Construction:	OPEN
Design Code:	21AD0008A	Ambient Max(°C):	40
Type:	KS	Alt Ambient Max(°C):	--
Frame:	213T	Insulation Class:	F
Phases:	3	NEMA Design:	A
Poles:	2	Nominal Efficiency:	89.5 %
Output Power:	10HP 7.4KW	Guaranteed Efficiency:	87.5
RPM:	3510	3/4 Load Efficiency:	91.3
Voltage:	230/460	KVA Code:	J
Hertz:	60	Max KVAR:	3.1
Amps - FL:	25.8/12.9	Power Factor:	81
Service Factor:	1.15	Bearing - DE:	6308ZZ
Alt Service Factor:	--	Bearing - ODE:	6208ZZ

Enclosure is Dripproof

Stamped Nameplate Notes:**Additional Information:**

OFFSET STATOR CORE NOT SUITABLE FOR F1 CONVERSION
 2 POLE DP
 LRA: 195.6/97.8
 NO. OF MOTOR LEADS: 12
 CONDUIT BOX VOLUME (IN³): 50.3
 CONDUIT BOX MTL: STAMPED STEEL
 GREASE TYPE: SHELL ALVANIA R3 LITHIUM GREASE
 USABLE AT 200V @ 10HP, 28.5 AMPS @ 1.0SF
 50 HZ DATA: 10HP, 200/400V, 30/15 AMPS @ 1.0SF, 2890 RPM
 SOUND POWER: 71.8
 DMK, 06/04, UPDATED 11/2004
 INVERTER DUTY PER NEMA MG1 PART 31
 FOR VARIABLE TORQUE LOADS

Performance Characteristics

1st Winding 1st Connection

Design: 21AD0008A

Marks:

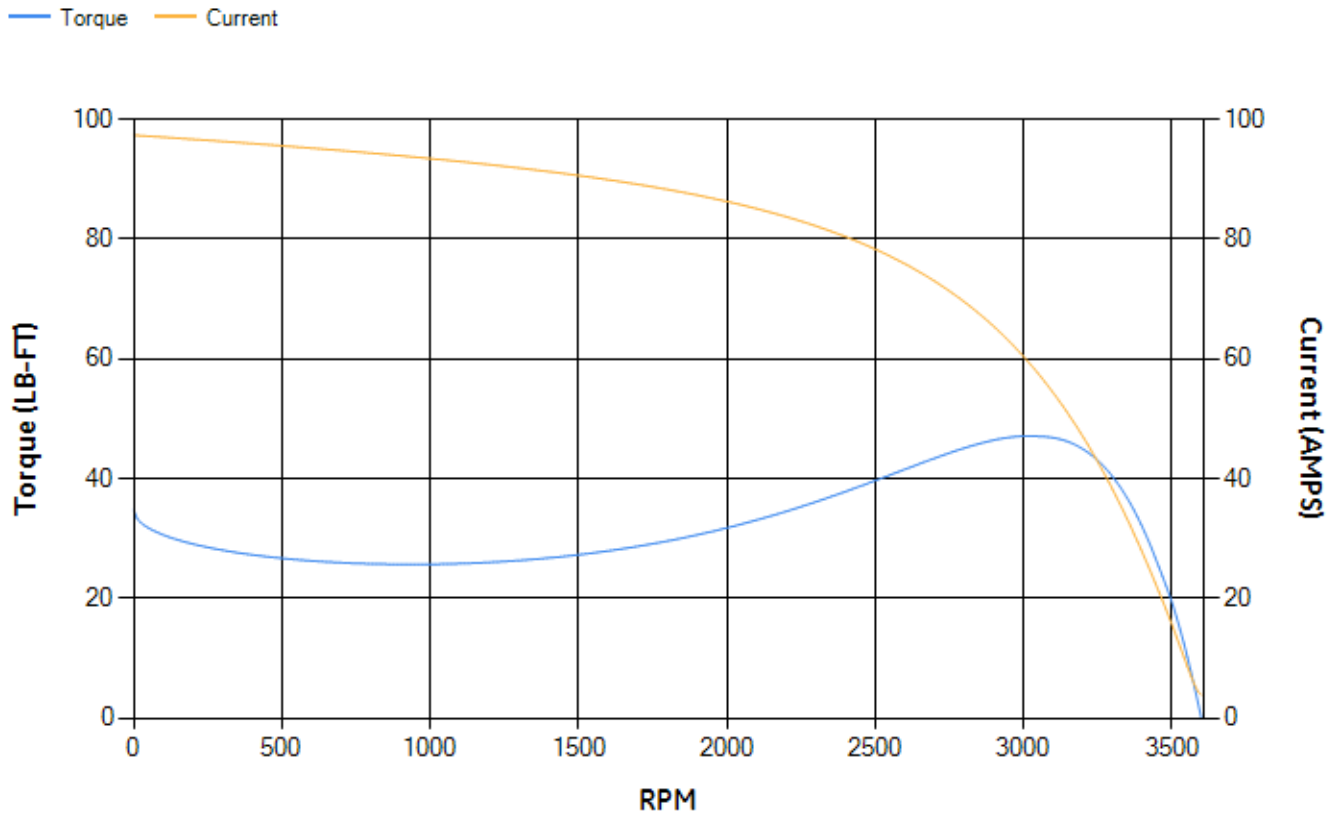
LOAD %	125.0	115.0	100.0	75.0	50.0	25.0	0.0
% EFF	89.34	89.92	90.84	91.35	90.97	87.05	0.00
% PF	86.4	86.33	85.76	82.94	75.37	55.14	7.75
AMPS	15.16	13.86	12.01	9.26	6.83	4.87	3.88

TORQ(FL)#FT	14.95	TORQ(LR)%FL	232.8	TORQ(BD)%FL	308.35
AMPS(LR)	97.35	PF AT START	0.36		

This motor is capable of two cold or one hot start with a maximum connected load inertia of 40 Lb-Ft Sq (1.68 Kg-meter Sq) at 100% voltage, where the load torque varies with the square of the speed. Acceleration time with maximum inertia and the above load type is 17 seconds. Safe stall time at 100% voltage is 29 seconds cold, 23 seconds hot. Rotor inertia is 0.4 Lb-Ft Sq (0.02 Kg-meter Sq).

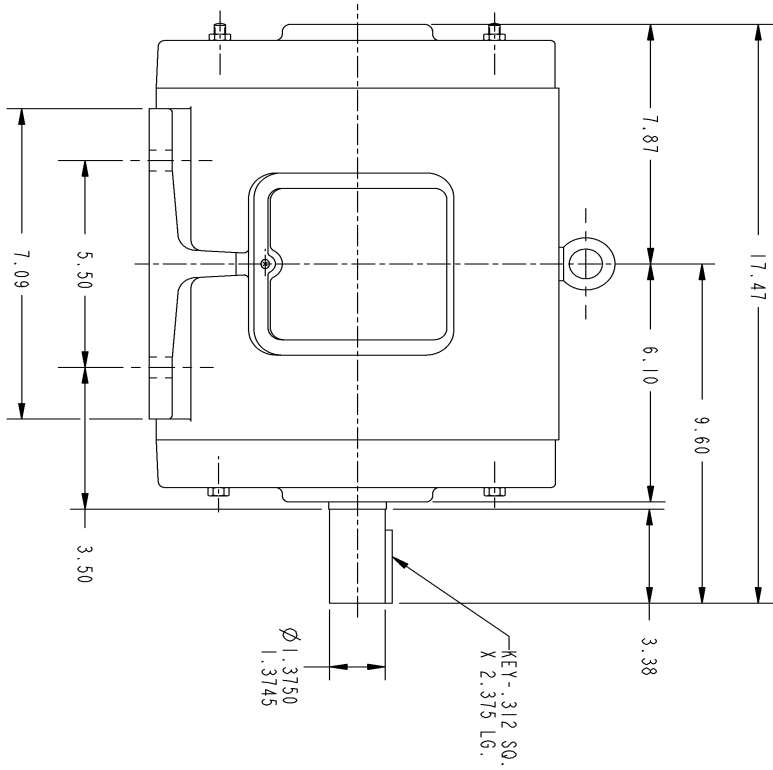
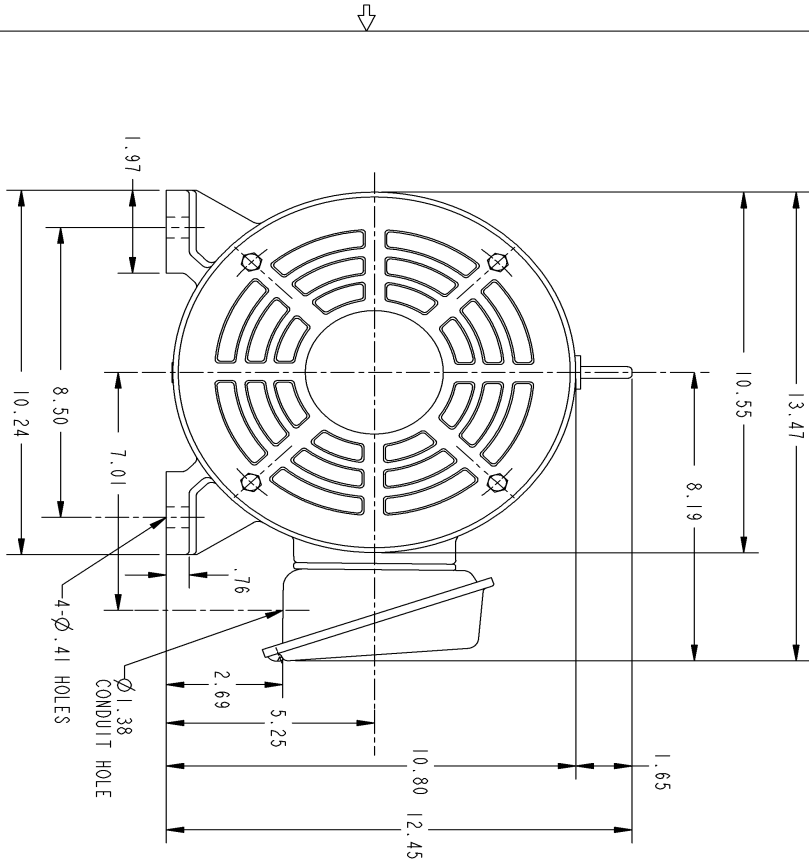
Open Circuit A-C:	0.339	Short Circuit D-C:	0.013
Short Circuit A-C:	0.013	X/R Ratio:	4.911
Stator Slots:	24	Rotor Slots:	18

Speed Torque Current Curve (First Connection, First Speed)



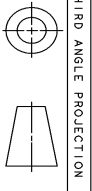
NAME:501452442 OBJECT:358B6215AA DATE:23-May-07 23:10:49

Marks:



NOTES :

1. CONDUIT BOX MAY BE PLACED WITH THE ENTRANCE DOWN, UP OR ON EITHER SIDE.
2. F-1 ASM AS SHOWN.
3. F-2 ASM - HAS CONDUIT BOX ON OPPOSITE SIDE.



THIRD ANGLE PROJECTION

GE PROPRIETARY INFORMATION
 This document is the property of General Electric Company (GE) and contains confidential information. It is intended for use only by the recipient named in the header. If you are not the intended recipient, you should not disseminate, distribute or copy this document. If you have received this document by mistake, please notify the sender by return mail or approved electronic means. This document shall be returned to the sender if you are not the intended recipient or subject to certain restrictions under U.S. Copyright laws and may be subject to prior review by the sender.

SIZE: DRAWING FOR
358B6215AA

REVISIONS

REV.	DESCRIPTION	DATE	APPROVED
1	ISAAC 07-0770	05/02/07	R. KOHNE

UNLESS OTHERWISE SPECIFIED:		SIGNATURES		DATE	
DIMENSIONS ARE IN INCHES		DRAWN		P. RAJU 03/27/03	
TOLERANCE ON:		CHECKED		PRASHANKAR 03/27/03	
2 PL DECIMALS ± .		ENGRS			
3 PL DECIMALS ± .		ISSUED		PRASHANKAR 03/27/03	
ANGLES ± 1°		APPLIED PRACTICES			
MATERIAL:		SIZE/DRAWING		REV	
		B		1	
SCALE: DRAWING SCALE		GENERAL ELECTRIC COMPANY		SHEET 1 OF 1	
		Fort Wayne, Indiana			
		213T - OPEN DRIP PROOF			
		OUTLINE			
		358B6215AA			
DISTRIBUTION:					

Marks:

Connection Diagram
GEM2034E-FIG10

