

Product Information Packet

November 9, 2016

Data shown is for the current revision model #. Ensure your nameplate model # matches.

Model Number:	5KS254SAA404D2
Catalog Number:	M9880
Instruction Manual:	GEI-56128
Connection Diagram:	GEM2034E-FIG7
Outline Drawing:	4002B5825PAP5201

Accessory Connection Diagrams			
Bearing Thermocouple:	None	Heater:	None
RTD:	None	Thermistor:	None
Thermostat:	None	Winding Thermocouple:	None
Bearing RTD:	None		

Table of Contents

Specification	01
Performance Characteristics	02
Outline Drawing	03
Connection Drawing(s)	04
Spare parts	05



Marks:

MODEL NUMBER:	5KS254SAA404D2	Estimated Weight:	315 Lbs
Outline Drawing:	4002B5825PAP5201	Time Rating:	CONT
Connection Diagram:	GEM2034E-FIG7	Enclosure:	TEFC
Instruction Book:	GEI-56128	Encl Construction:	X\$D
Design Code:	25BD4028B	Ambient Max(°C):	40
Type:	KS	Alt Ambient Max(°C):	65
Frame:	254T	Insulation Class:	H
Phases:	3	NEMA Design:	B
Poles:	8	Nominal Efficiency:	86.5 %
Output Power:	5HP 3.7KW	Guaranteed Efficiency:	85.5
RPM:	880	3/4 Load Efficiency:	88.0
Voltage:	575	KVA Code:	J
Hertz:	60	Max KVAR:	3.7
Amps - FL:	6.6	Power Factor:	65.5
Service Factor:	1.25	Bearing - DE:	6309ZC3
Alt Service Factor:	1.00	Bearing - ODE:	6309ZC3

Enclosure is Totally Enclosed Fan-Cooled

Stamped Nameplate Notes:

SF AMPS 7.5
 STAMP NP249A5564P051 AS BELOW:
 MODEL:5KS254SAA404D2 S/N: XXX
 CSA CERTIFIED CSA09.2216219 FOR EX NA IIC 200C GC
 CL 1 ZONE2 AEX NA IIC 200C;CL 1 DIV2 GRP ABCD 200C
 IN -40C <= AMB <= 40C, 1.0 SF ON SINE-WAVE PWR
 SURF TEMP 200C AT 1.25SF ON SINE-WAVE PWR
 OR 200C VT OR 200C CT OR 200C CHP PWM CONTROL
 ALTERNATE RATING FOR PWM CONTROL 1.0SF 40C AMB
 VT 0 - 60 HZ, CT 3-60 HZ, CHP 60-90 HZ.

Additional Information:

8P - T EXTN
 STANDARD FLOOR MOUNT
 C/BOX 137 CU IN-1.25 NPT
 F1 CONDUIT BOX MOUNTING
 OIL RESISTANT SLEEVING ON LEADS

Performance Characteristics

1st Winding 1st Connection

Design: 25BD4028B

Marks:

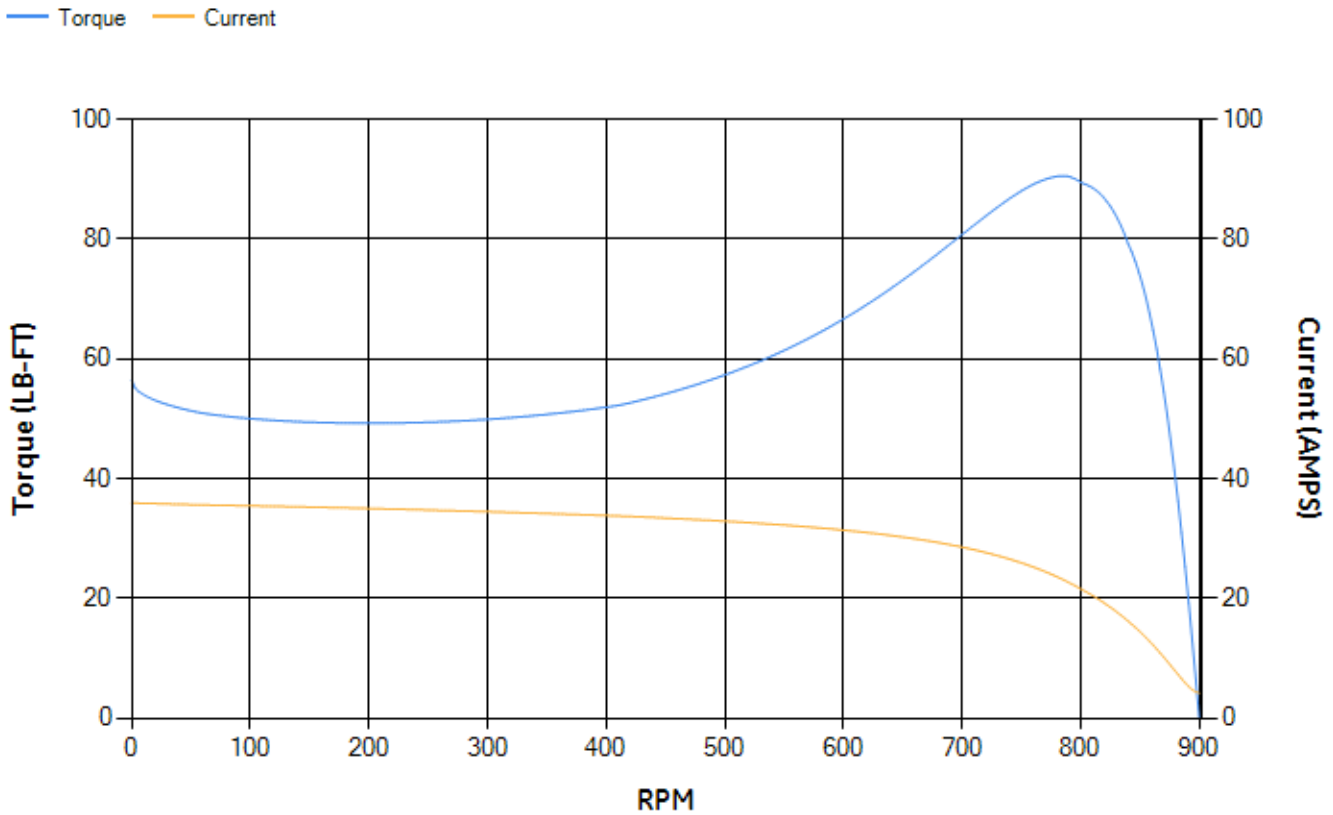
LOAD %	125.0	115.0	100.0	75.0	50.0	25.0	0.0
% EFF	87.47	87.82	88.37	88.05	86.25	78.98	0.00
% PF	71	69.14	65.6	57.14	44.49	26.92	5.1
AMPS	7.53	7.09	6.46	5.58	4.88	4.4	4.17

TORQ(FL)#FT	29.78	TORQ(LR)%FL	189.51	TORQ(BD)%FL	301.72
AMPS(LR)	35.93	PF AT START	0.36		

This motor is capable of two cold or one hot start with a maximum connected load inertia of 1008 Lb-Ft Sq (42.44 Kg-meter Sq)at 100% voltage, where the load torque varies with the square of the speed. Acceleration time with maximum inertia and the above load type is 57 seconds. Safe stall time at 100% voltage is 127 seconds cold, 84 seconds hot. Rotor inertia is 1.59 Lb-Ft Sq (0.07 Kg-meter Sq).

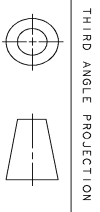
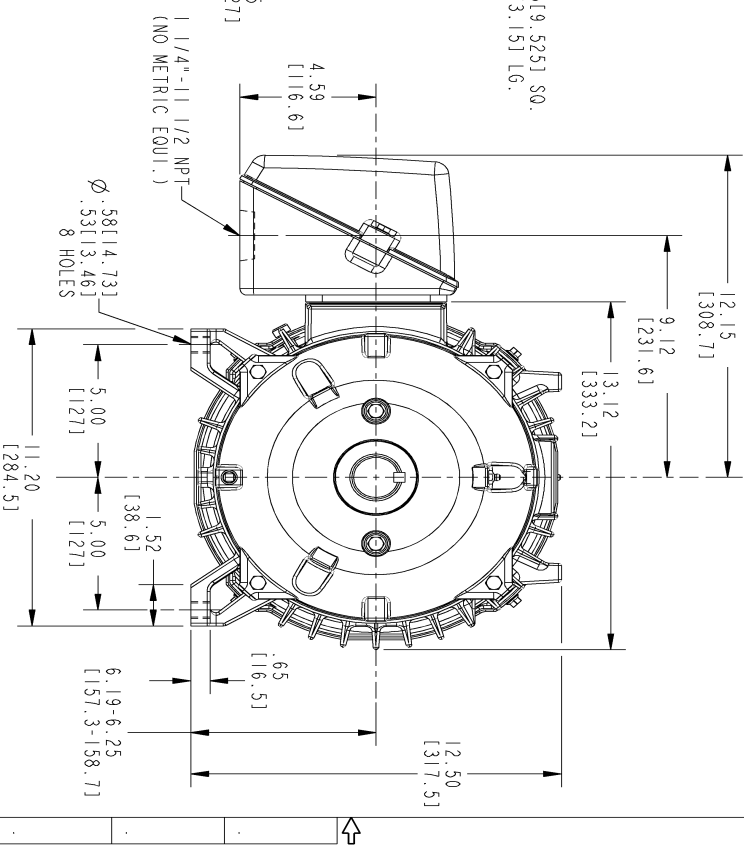
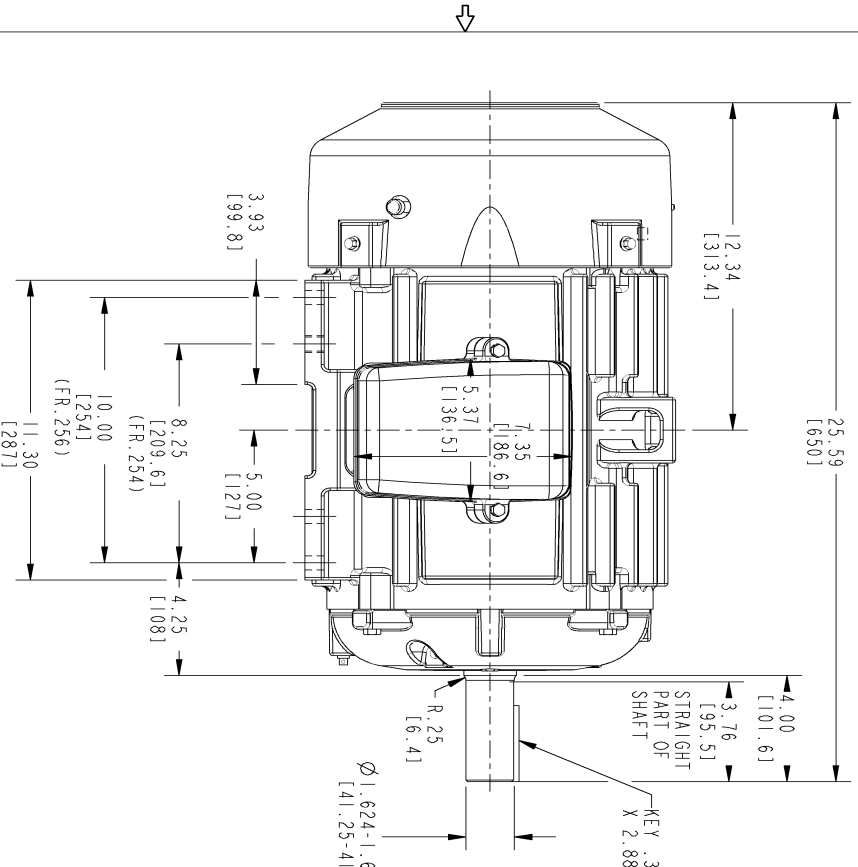
Open Circuit A-C:	0.164	Short Circuit D-C:	0.011
Short Circuit A-C:	0.018	X/R Ratio:	4.107
Stator Slots:	54	Rotor Slots:	70

Speed Torque Current Curve (First Connection, First Speed)



Marks:

NOTE 1: CONDUIT BOX MAY BE ASSEMBLED WITH ENTRANCE UP, DOWN OR TO EITHER SIDE.
 NOTE 2: F1 ASSEMBLY AS SHOWN. F2 ASSEMBLY CONDUIT BOX ON OPPOSITE SIDE FROM SHOWN LOCATION.
 NOTE 3: SHAFT RUNOUT WILL NOT EXCEED .002 T.I.R.



SIZE DRAWING NO. 4002B5825PAP5201 SH 4 REV

REVISIONS			
REV.	DESCRIPTION	DATE	APPROVED
1	NOTE X50 ULTRA DELETED	05/20/03	SAJNAY
2	ISAAC 09-0868	09/29/09	SAVANTHI
3	ISAAC 09-1036	12/02/09	RAJHU
4	ISSAC 12-0025	01/09/11	RAJHU

SIGNATURES		DATE
DRAWN	GARY WARRNER	JAN 16/02
CHECKED	GARY WARRNER	JAN 16/02
ENGR	GARY WARRNER	JAN 16/02
ISSUED	GARY WARRNER	JAN 16/02

GE Industrial Systems

GENERAL ELECTRIC COMPANY
 Fort Wayne, Indiana

INDUCTION MOTOR OUTLINE
 STANDARD CONSTRUCTION
 FMR: FR250T TEFC

SCALE: 0.250 REF. NO.: 4002B5825PAP201 SHEET 0F 1

SIZE DRAWING: 4002B5825PAP5201 REV. 4

DISTRIBUTION: PMP-18K15

Marks:

Connection Diagram
GEM2034E-FIG7



End shield Assembly		
Part Description	DE Side Part#	ODE Side Part#
End Shield	4004D5283PB1	4004D5283SE1
Bearing	235A2607AA01	235A2607AA01
Slinger/Inproseal	149C4399G02	149C4399G02

Fan & Fan Cover Assembly	
Part Description	Part#
Fan	159C6800G01
Fan Cover	4003C5788PA1

Conduit & Accessories Box Assembly	
Part Description	Part#
Conduit Box	4002B5728PA-G04

Mechanical Accessories	
Part Description	Part#
Brake	
Tachometer	