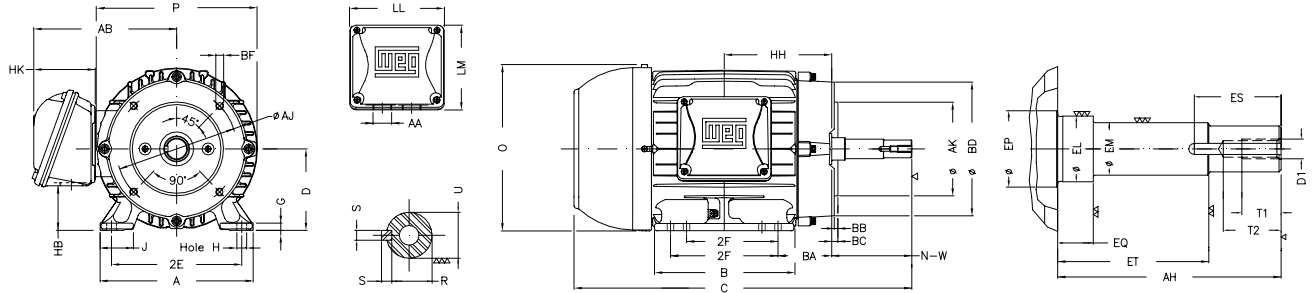


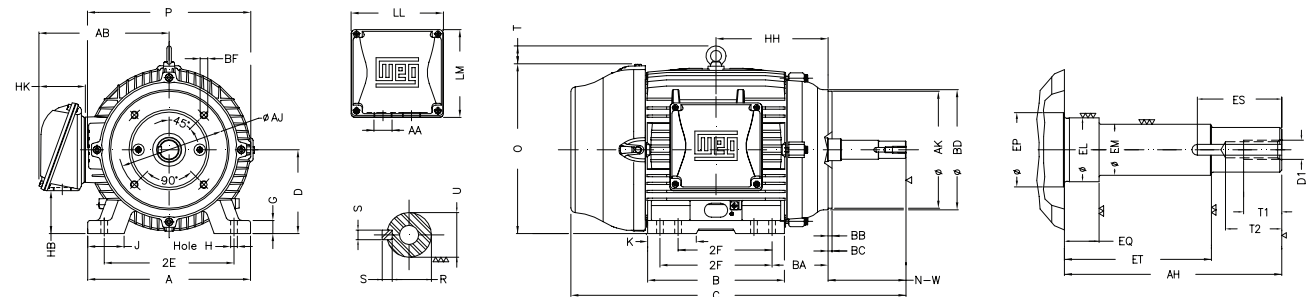
W22 JM & JP Pump Motors - High Efficiency

TEFC - Mechanical Data

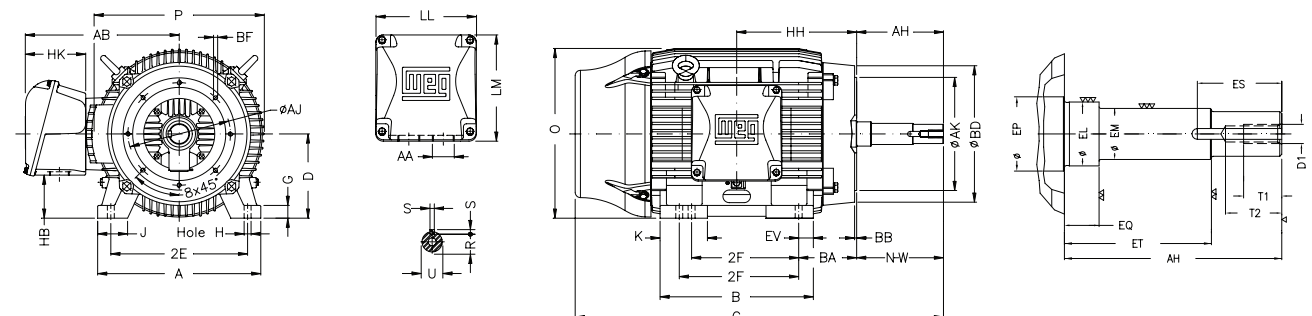
Frames 143/5JM or JP to 213/5JM or JP



Frames 254/6JM or JP to 324/6JM or JP



Frames 364/5JM or JP to 404/5JP



W22 JM & JP Pump Motors - High Efficiency

TEFC - Mechanical Data

JM Type

Frame	BA	AJ	AK	BB	BD	BF TAP	BF NUMBER	C	AH	EQ	ET	U	EM	EL	S	R	ES	d1	T1	T2	DE BRG	N.D.E. BRG
143/5JM	2.250	5.874	4.500	0.156	6.496	UNC 3/8"x16	4	15.304	4.258	2.880	0.874	1.000	1.156	0.187	0.768	1.575	UNC 3/8"-16	0.748	1.102	6206 ZZ	6204 ZZ	
182/4JM	2.750							17.020												6307 ZZ	6206 ZZ	
213/5JM	3.500	7.252	8.500	0.250	8.858	UNC 1/2"x13	4	20.174	0.630	3.006	1.249	1.375	1.750	0.250	1.110	2.480	UNC 1/2"-13	0.984	1.496	6309 ZZ-C3	6207 ZZ	
254/6JM	4.250							26.102												6309 C3	6209 C3	
284/6JM	4.750	11.000	12.500	0.250	13.593	UNC 5/8"x11	4	28.700	5.250	3.006	1.249	1.375	1.750	0.250	1.110	2.480	UNC 1/2"-13	0.984	1.496	6311 C3	6211 C3	
324/6JM	5.250							29.645												6312 C3	6212 C3	
364/5JM	5.875	11.000	12.500	0.250	15.562	UNC 5/8"x11	8	33.031	5.250	3.006	1.249	1.375	1.750	0.250	1.110	2.480	UNC 1/2"-13	0.984	1.496	6314 C3	6314 C3	

JP Type

Frame	BA	AJ	AK	BB	BD	BF TAP	BF NUMBER	C	AH	EQ	ET	U	EM	EL	S	R	ES	d1	T1	T2	DE BRG	N.D.E. BRG
143/5JP	2.250	5.874	4.500	0.156	6.496	UNC 3/8"x16	4	18.365	7.319	1.563	5.941	0.874	1.000	1.156	0.187	0.768	1.575	UNC 3/8"-16	0.748	1.102	6206 ZZ	6204 ZZ
182/4JP	2.750	5.874						20.395													6307 ZZ	6206 ZZ
213/5JP	3.500	7.252	8.500	0.250	8.858	UNC 1/2"x13	4	24.046	8.130	2.382	5.886	1.249	1.375	1.750	0.250	1.110	2.480	UNC 1/2"-13	0.984	1.496	6309 ZZ-C3	6207 ZZ
254/6JP	4.500	7.252						28.736													6309 C3	6209 C3
284/6JP	5.000	11.000	12.500	0.250	13.593	UNC 5/8"x11	4	31.575	8.130	2.382	5.886	1.249	1.375	1.750	0.250	1.110	2.480	UNC 1/2"-13	0.984	1.496	6311 C3	6211 C3
324/6JP	5.500	11.000						32.525													6312 C3	6212 C3
364/5JP	5.875	11.000	12.500	0.250	15.562	UNC 5/8"x11	8	35.916	8.130	2.382	5.886	1.624	1.750	2.125	0.375	1.413	2.480	UNC 1/2"-13	0.984	1.496	6314 C3	6314 C3
404/5JP	6.625	11.000						38.911													6314 C3	6314 C3