

CONNECTION DECAL
LOC'D BET. A&B-
READ FROM TERM.END

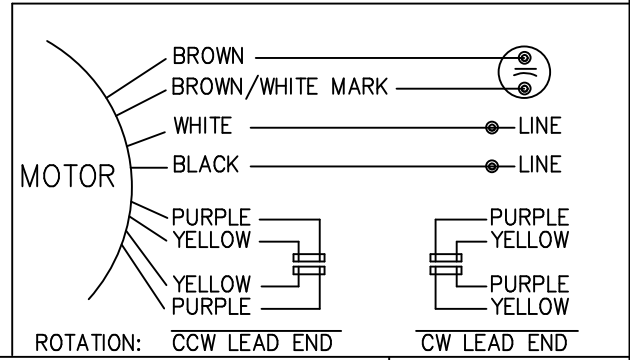
NAMEPLATE LOC'D
BET. C&D READ
FROM TERM. END

TERM. END

LEAD DESCRIPTION:

- 1 WHITE & 1 BLACK WITH .50 BARE WIRE STRIP. 30.00" LONG.
- GREEN GROUND LEAD WITH TERM. FOR #10 SCREW 12.00" LONG.
- 2 BROWN LEADS WITH .25 FLAG-TYPE QUICK CONNECTS BROWN WITH WHITE MARK IS COMMON TO WHITE 30.00" LONG.
- REVERSING LEADS ARE MOLDED INTO MATING PULL APART PLUGS. 1 YELLOW & 1 PURPLE LEAD PER PLUG. 5.00" LONG.

DASH	FR.	C	A
500	48Y	11.97	5.50
525	48Y	12.22	5.75



				TOLERANCES UNLESS SPECIFIED		<p>MARATHON ELECTRIC</p>	DRAWN NB 11-30-2009				
				DEC.	INCHES		CHK	SVL 11-30-2009			
				.X	±.1		APPD	NB 11-30-2009			
				.XX	±.03		SCALE	3=8			
				.XXX	±.005		REF	SS73750			
				.XXX	±.0005	TITLE OUTLINE	FMF 08-2127				
				.XXXX	±.0005	48Y FR.	PREV				
NO.	REVISION	BY & DATE	CHK	ANG	±7'30"	MAT'L.					
				RFP	11-30-2009	FINISH					
				DIST	WP	CAD FILE	SS403890	SIZE	A		
							DRAWING NO.	SS403890	PAGE	OF	REV.