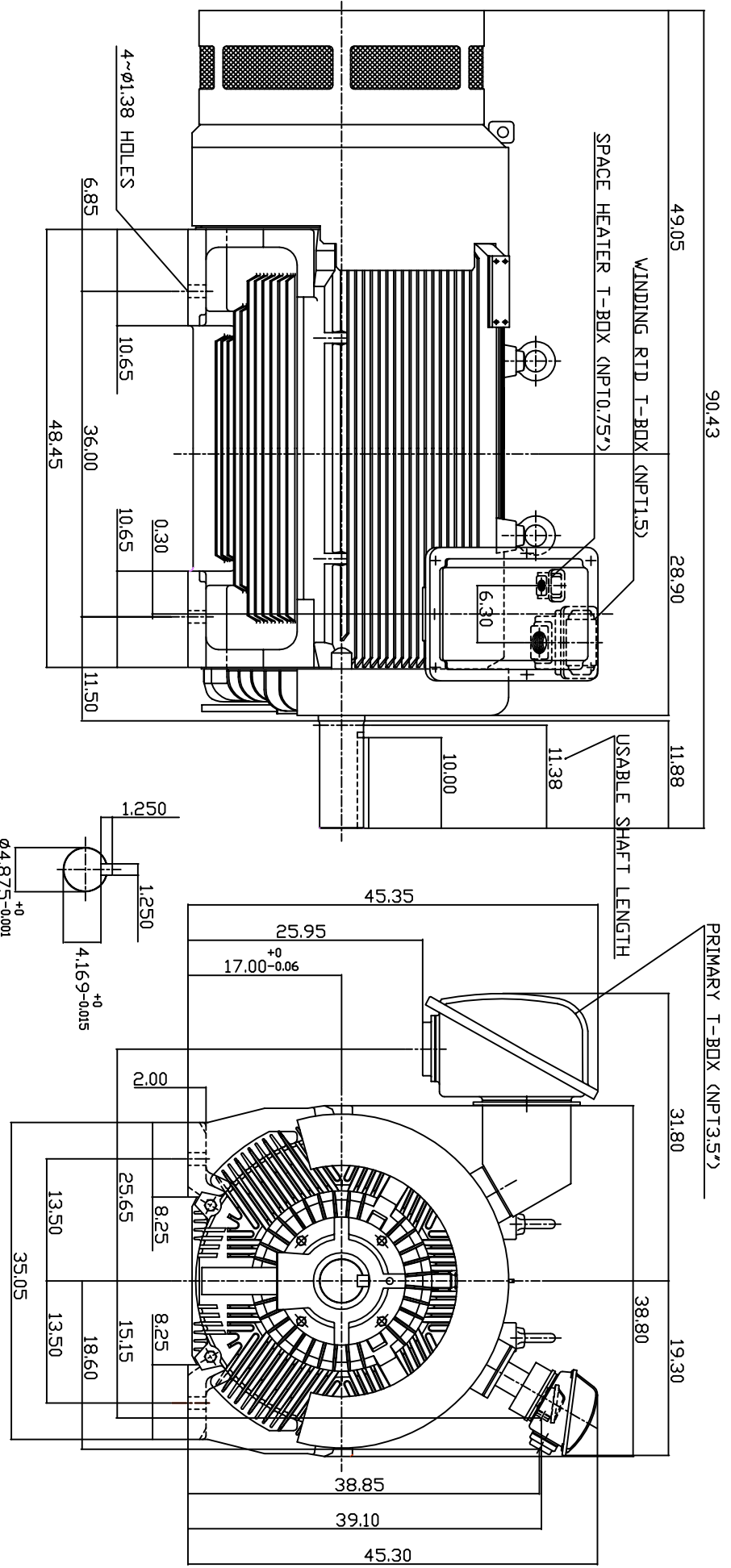


TYPE	OUTPUT		POLE	TIME RATING	VOLTAGE V	HZ	SYNSPEED R.P.M
	HP.	KW.					
AEHGTK	800	597	4	CDNT.	2300/4160	60	1800

TOTALLY ENCLOSED FAN-COOLED TYPE, SQUIRREL-CAGE ROTOR



- NOTE: 1. DIMENSIONS IN INCH.
- FRAME NO. 6808B
 - F CLASS INSULATION, S.F.1.15
 - FOR DIRECT FLEXIBLE COUPLING
 - WITH SPACE HEATER 120 VOLT SINGLE PHASE 300 WATTS
 - 100 OHM PLATINUM WINDING RTD'S 2/PHASE
 - BEARING SIZE: DRIVE END: 6326
NON-DRIVE END: 6322
 - MOTOR APPROX. WEIGHT: 7700 LBS

D.W.N.	W.L.LIN	APR-17-2003
CHKD.	W.L.LIN	APR-17-2003
APPD.	C.WANG	APR-17-2003

DATE: MAY 6, 2004
 CATALOG NO. KG8004
 OUTLINE DIMENSIONS
 3-PHASE INDUCTION MOTOR
 DWG NO. 3A040T4625
 REV: 00

TEC Westinghouse

TW-66C