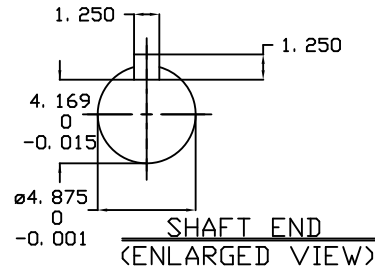
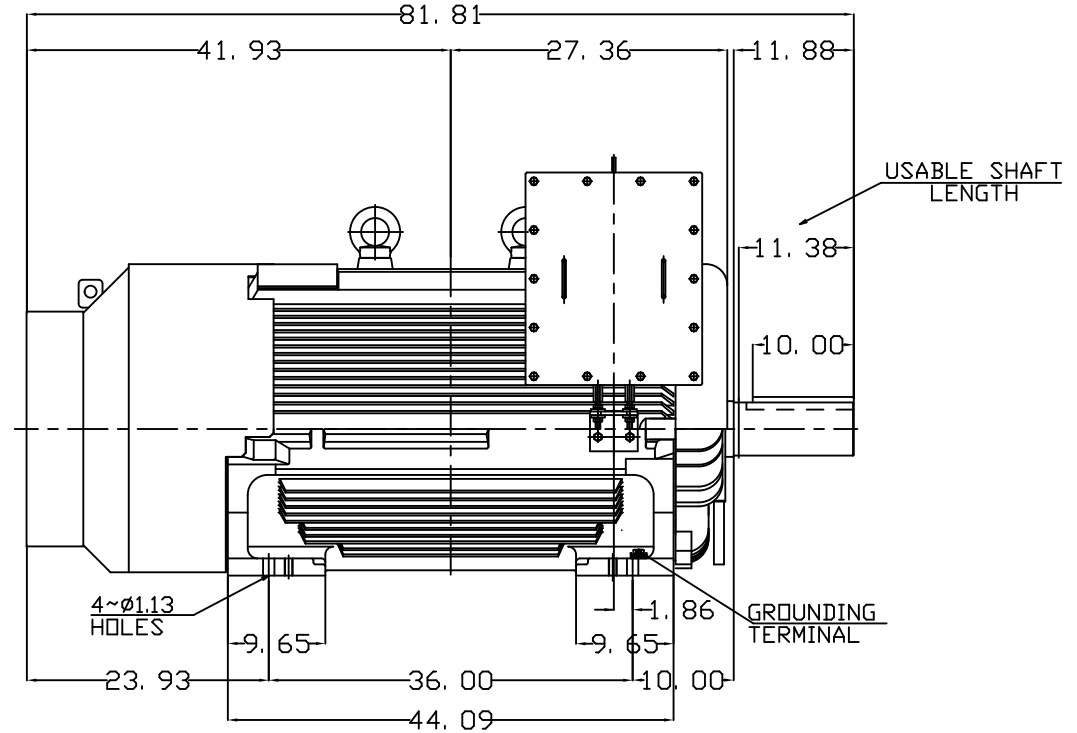
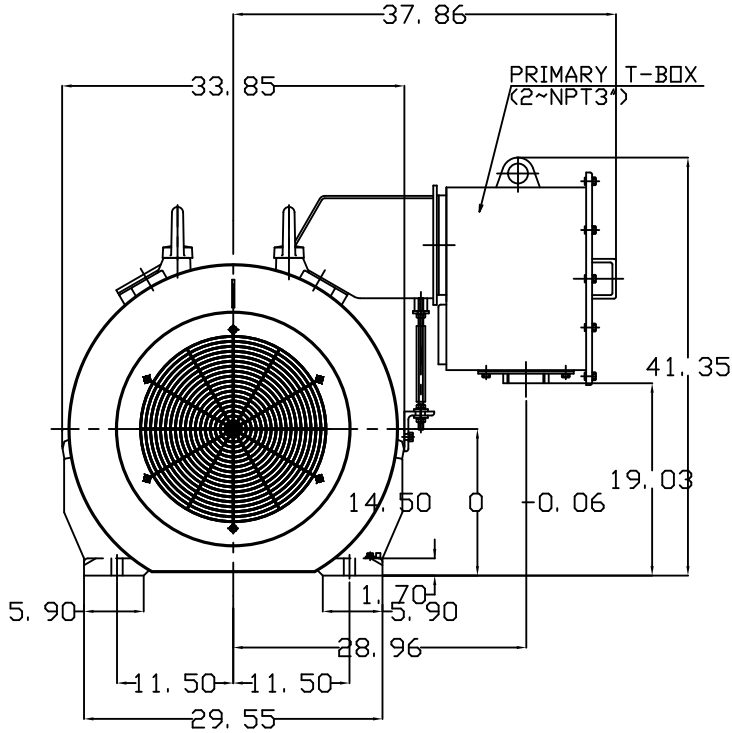


TYPE	OUTPUT		POLE	TIME RATING	VOLTAGE V	Hz	SYN.SPEED R.P.M
	HP.	KW.					
AEHH-8B	500	373	8	CONT.	460	60	900

TOTALLY ENCLOSED FAN-COOLED TYPE, SQUIRREL-CAGE ROTOR



NOTE:

- DIMENSIONS IN INCH
- FRAME NO. 5810C
- F CLASS INSULATION, S.F.1.15
- FOR BELT DRIVE
- ENCLOSURE: IP55
- BEARING SIZE: DRIVE-END NU326C3  
OPP. DRIVE-END 6322C3
- BOTH ENDS BEARING ARE INPRO SEAL
- NON-SPARKING FAN
- MOTOR APPROX. WEIGHT: 6600 lb

DATE	3-25-2015	OUTLINE DIMENSIONS	
CATALOG #	HB5008	3-PHASE INDUCTION MOTOR	
DWN.	Y.DU	MAR-24-2014	TEC Westinghouse
CHKD.	W.CHENG	MAR-29-2014	
APPD.	C.SHIH	MAR-29-2014	
DWG NO.			REV:00
4B040C044			