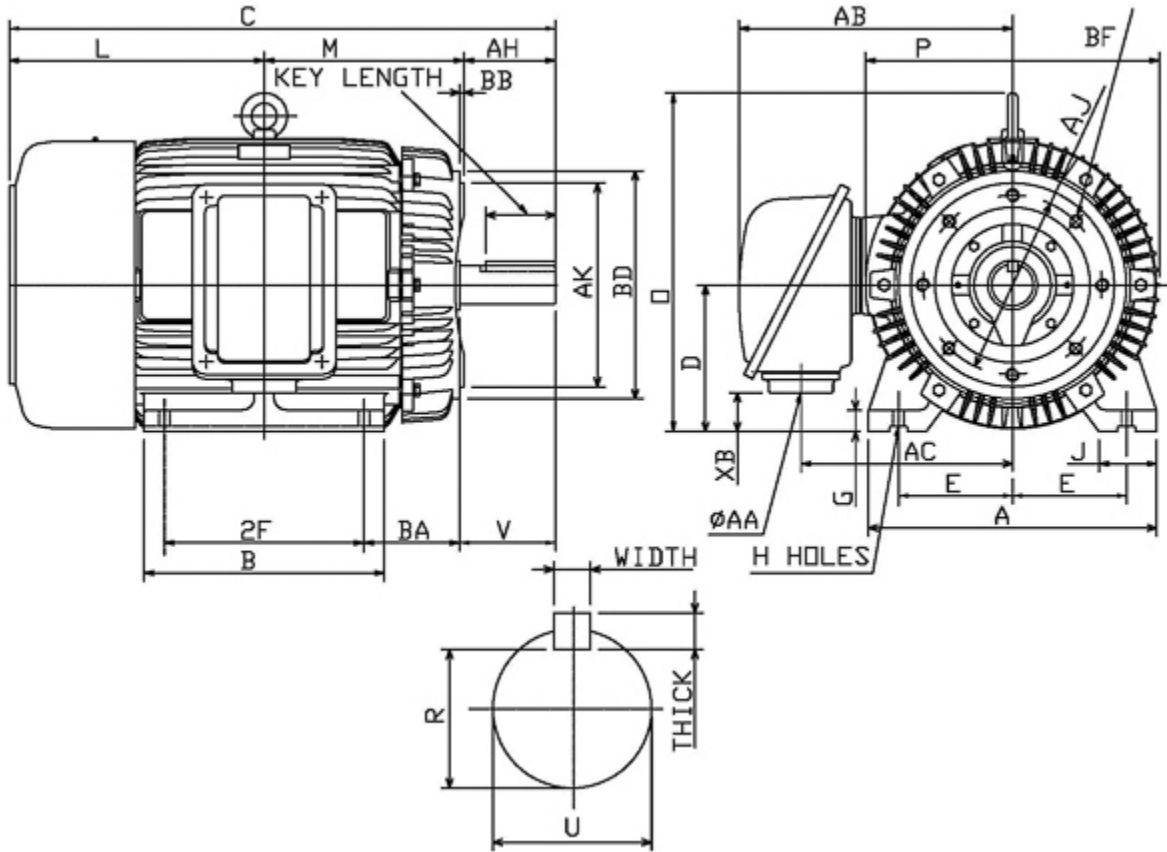


Dimensional Drawing

| | | | | | | | | |
|-----------|--------|----|------|----|------------|-------------|----|------|
| Catalogue | Model | HP | Pole | kW | Rating | Voltage | Hz | RPM |
| PDH0404C | AEHH8N | 40 | 4 | 30 | Continuous | 230 / 460 V | 60 | 1800 |



| Frame Size | Mounting | | | | | A | B | C | CD | D | |
|------------------|----------|------|----------|---------|--------------------|-------------|------------|-------|------------------------------|------------|-----------|
| | E | 2F | 2F2 | H | BA | | | | | | |
| 324TC | 6.25 | 10.5 | | 0.66 | 5.25 | 15.75 | 12.8 | 29.93 | | 8 | |
| G | J | K | L | M | O | P | T | Key | | | Keyseat |
| | | | | | | | | Width | Thick | Length | R |
| 1.1 | 3.15 | | 14.18 | 10.29 | 16.27 | 16.54 | 2.32 | 0.5 | 0.5 | 3.91 | 1.845 |
| Terminal Housing | | | | Aux Box | | C/D Flange | | | | | |
| AA | AB | AC | XB | AE | AX | BB | AH | AK | BD | AJ | BF |
| 2 NPT | 14.65 | 11.3 | 3.59 | | | 0.25 | 5 | 12.5 | 13.58 | 11 | 5/8-11UNC |
| Shaft Extension | | | Bearings | | Approx. Weight Lbs | SPL dBA/3ft | Ins. Class | S.F. | Drive Method | Dimensions | |
| N-W | U | V | DE | NDE | | | | | | | |
| 5.25 | 2.125 | 5.15 | 6312 | 6212 | 658 | 74 | F | 1.15 | Direct Coupling / Belt Drive | Inches | |

Technical Data Sheet

Motor Type: AEHH8N

Catalogue No: PDH0404C

Nameplate Information

| | | | | | | |
|-----------|------------|----------------|-------------|-------------|--------------|----------------|
| HP | Pole | RPM | Frame | Voltage | Hz | Phase |
| 40 | 4 | 1770 | 324TC | 230 / 460 | 60 | 3 |
| Enclosure | Ins. Class | Service Factor | Time Rating | NEMA Design | Rated Amb. | Rated Altitude |
| TEFC | F | 1.15 | Continuous | B | -40 to 40 °C | <3300 ft |

Typical Performance

| Efficiency (%) | | | | Power Factor (%) | | |
|-------------------|-----------------------------|---------------------------------|--------------------------------------|---------------------|-------------|--------------------------------|
| Full Load | | 3/4 Load | 1/2 Load | Full Load | 3/4 Load | 1/2 Load |
| Nom. | Min. | | | | | |
| 94.1 | 93.0 | 94.5 | 94.5 | 86.0 | 84.5 | 78.5 |
| Torque | | | | Current (A) | | |
| Full Load (lb-ft) | Locked Rotor (% FLT) | Pull Up (% FLT) | Break Down (% FLT) | No Load | Full Load | Locked Rotor |
| 118.70 | 205 | 170 | 220 | 21.2 / 10.6 | 92.6 / 46.3 | 580 / 290 |
| NEMA KVA Code | Inertia (WR ²) | | | Safe Stall Time (s) | | Noise Level Sound Press. dB(A) |
| | Rotor (lb-ft ²) | NEMA Load (lb-ft ²) | Max. Allowable (lb-ft ²) | Cold | Hot | |
| G | 8.624 | 189.0 | 375.0 | 25 | 18 | 74 |

VFD Duty Information

| Speed Range | | | VFD | | S.F. |
|-----------------|-----------------|----------------|---------|--------------|----------|
| Constant Torque | Variable Torque | Constant Power | Carrier | Type | |
| 6-60Hz | 3-60Hz | 60-90Hz | ≤ 5 kHz | VPWM or CPWM | 1.0 Only |

Additional Information

| Bearings | | Approx. Weight |
|----------|------|----------------|
| DE | NDE | lbs |
| 6312 | 6212 | 658 |

Hazardous Locations Information

| CSA Certified | |
|---|-----------|
| Class I, Div 2, Groups B, C & D | |
| Class I, Zone 2, Groups IIB+H2, IIB & IIA | |
| Temp Code (Sinewave / VFD) | T3C / T3B |