

Product Information Packet

November 8, 2016

Data shown is for the current revision model #. Ensure your nameplate model # matches.

Model Number:	5KS405XAA304D6
Catalog Number:	M9597
Instruction Manual:	GEI-56128
Connection Diagram:	GEM2034E-FIG1
Outline Drawing:	239C6400PZ

Accessory Connection Diagrams			
Bearing Thermocouple:	None	Heater:	None
RTD:	None	Thermistor:	None
Thermostat:	None	Winding Thermocouple:	None
Bearing RTD:	None		

Table of Contents

Specification	01
Performance Characteristics	02
Outline Drawing	03
Connection Drawing(s)	04
Spare parts	05



Marks:

MODEL NUMBER:	5KS405XAA304D6	Estimated Weight:	1430 Lbs
Outline Drawing:	239C6400PZ	Time Rating:	CONT
Connection Diagram:	GEM2034E-FIG1	Enclosure:	TEFC
Instruction Book:	GEI-56128	Encl Construction:	841
Design Code:	40BD3069B	Ambient Max(°C):	40
Type:	KS	Alt Ambient Max(°C):	--
Frame:	405T	Insulation Class:	H
Phases:	3	NEMA Design:	B
Poles:	6	Nominal Efficiency:	94.5 %
Output Power:	75HP 55.5KW	Guaranteed Efficiency:	94.1
RPM:	1190	3/4 Load Efficiency:	94.6
Voltage:	575	KVA Code:	G
Hertz:	60	Max KVAR:	29.0
Amps - FL:	73.8	Power Factor:	80.5
Service Factor:	1.15	Bearing - DE:	6316ZC3S0
Alt Service Factor:	--	Bearing - ODE:	6316ZC3S0

Enclosure is Totally Enclosed Fan-Cooled

Stamped Nameplate Notes:

IEEE-STD-841-2009
 DE BRG 80BC03JP3026, ODE BRG 80BC03JP3026
 STAMP NP249A5564P051 AS BELOW:
 MODEL:5KS405XAA304D6 S/N: XXX
 CSA CERTIFIED CSA09.2216219 FOR EX NA IIC 200 C GC
 CL 1 ZONE2 AEX NA IIC 200C;CL 1 DIV2 GRP ABCD 200C
 IN -25C <= AMB <= 40C, 1.0 SF ON SINE-WAVE PWR
 SURF TEMP 230C AT 1.15SF ON SINE-WAVE PWR
 OR 200C VT OR 230C CT OR 200C CHP PWM CONTROL
 ALTERNATE RATING FOR PWM CONTROL 1.0SF 40C AMB
 VT 0 - 60 HZ, CT 7.5-60 HZ, CHP 60-90 HZ.

Additional Information:

6P - T EXTN
 PAINTED FRAME ID & SHAFT,
 FAN COVER INSIDE & ODE E/S OUTSIDE
 700 CU IN - 3.00" NPT
 INPRO SEAL BOTH ENDS
 OIL RESISTANT SLEEVING ON LEADS
 .0015" TIR SHAFT RUNOUT
 ROUTINE TEST REPORT AND 5 POINT VIBRATION TEST
 REPORT INCLUDED IN C/B
 COPPER WASHER UNDER HEADS OF BEARING CAP BOLTS,
 APPLY TITE-SEAL (A50CD427A) ON BEARING CAP SCREWS,
 RABBETS AND PLUG THREADS.
 GROUND PAD
 F1 MOUNTING

Performance Characteristics

1st Winding 1st Connection

Design: 40BD3069B

Marks:

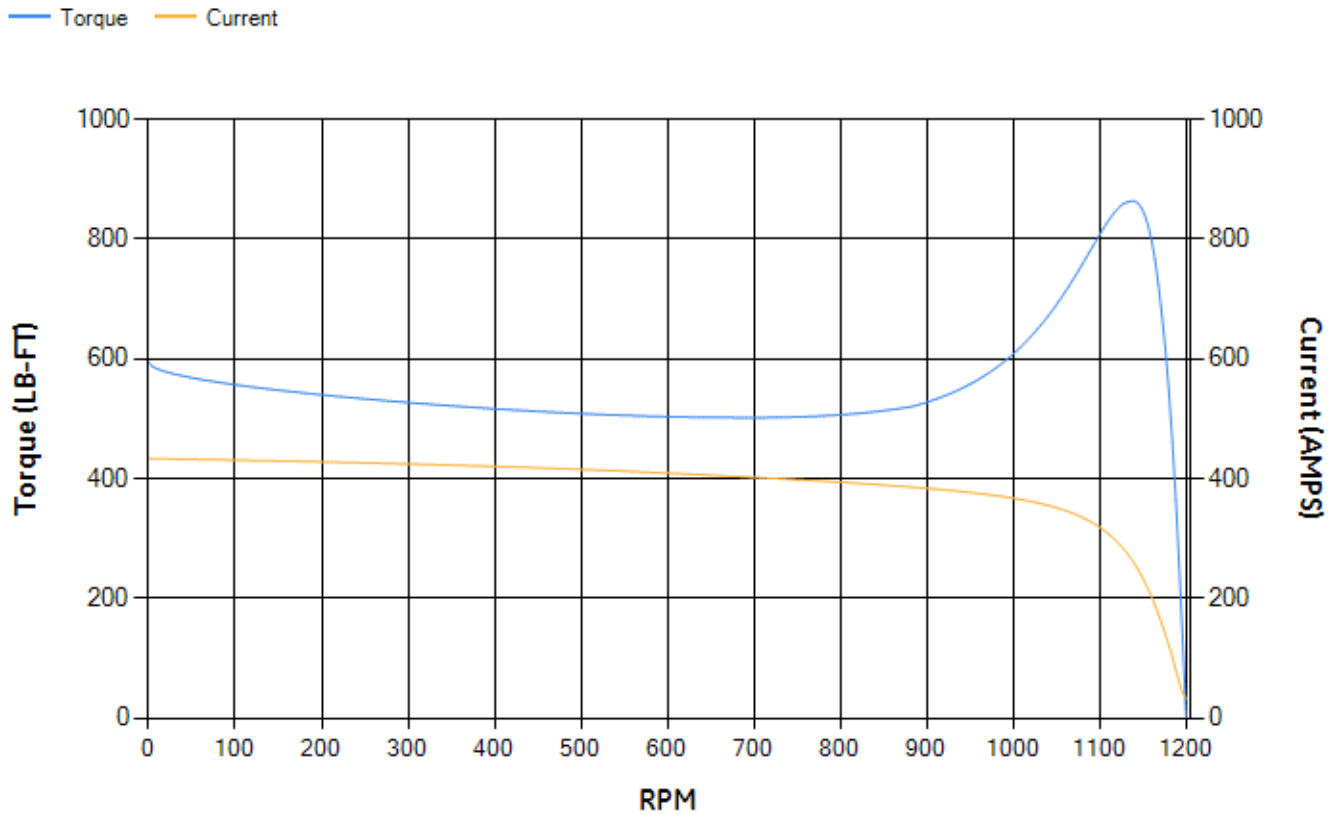
LOAD %	125.0	115.0	100.0	75.0	50.0	25.0	0.0
% EFF	93.78	94.05	94.57	94.63	94.21	91.37	0.00
% PF	82.66	81.97	80.34	75.16	64.24	41.74	3.31
AMPS	90.55	83.77	73.76	59.22	46.4	36.81	32.37

TORQ(FL)#FT	331.35	TORQ(LR)%FL	179.38	TORQ(BD)%FL	259.69
AMPS(LR)	433.35	PF AT START	0.35		

This motor is capable of two cold or one hot start with a maximum connected load inertia of 4913 Lb-Ft Sq (206.84 Kg-meter Sq)at 100% voltage, where the load torque varies with the square of the speed. Acceleration time with maximum inertia and the above load type is 43 seconds. Safe stall time at 100% voltage is 104 seconds cold, 56 seconds hot. Rotor inertia is 30.95 Lb-Ft Sq (1.3 Kg-meter Sq).

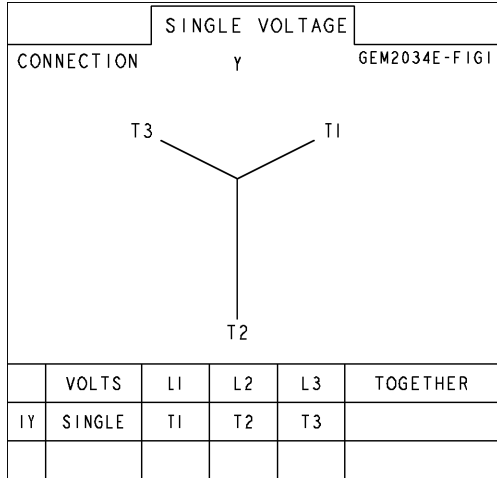
Open Circuit A-C:	0.583	Short Circuit D-C:	0.021
Short Circuit A-C:	0.038	X/R Ratio:	7.787
Stator Slots:	72	Rotor Slots:	58

Speed Torque Current Curve (First Connection, First Speed)



Marks:

Connection Diagram
GEM2034E-FIG1



End shield Assembly		
Part Description	DE Side Part#	ODE Side Part#
End Shield	115E4304AA1	115E4304LL1
Bearing	235A2618AA04	235A2618AA04
Slinger/Inproseal	235A4575GS4	235A4575GS4

Fan & Fan Cover Assembly	
Part Description	Part#
Fan	159C7100G02
Fan Cover	128D6832AA1

Conduit & Accessories Box Assembly	
Part Description	Part#
Conduit Box	118D4408AD2

Mechanical Accessories	
Part Description	Part#
Brake	
Tachometer	