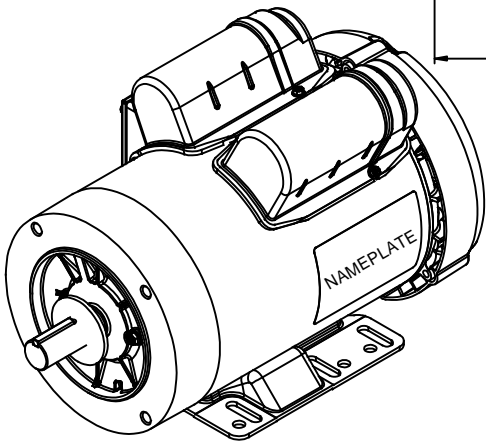
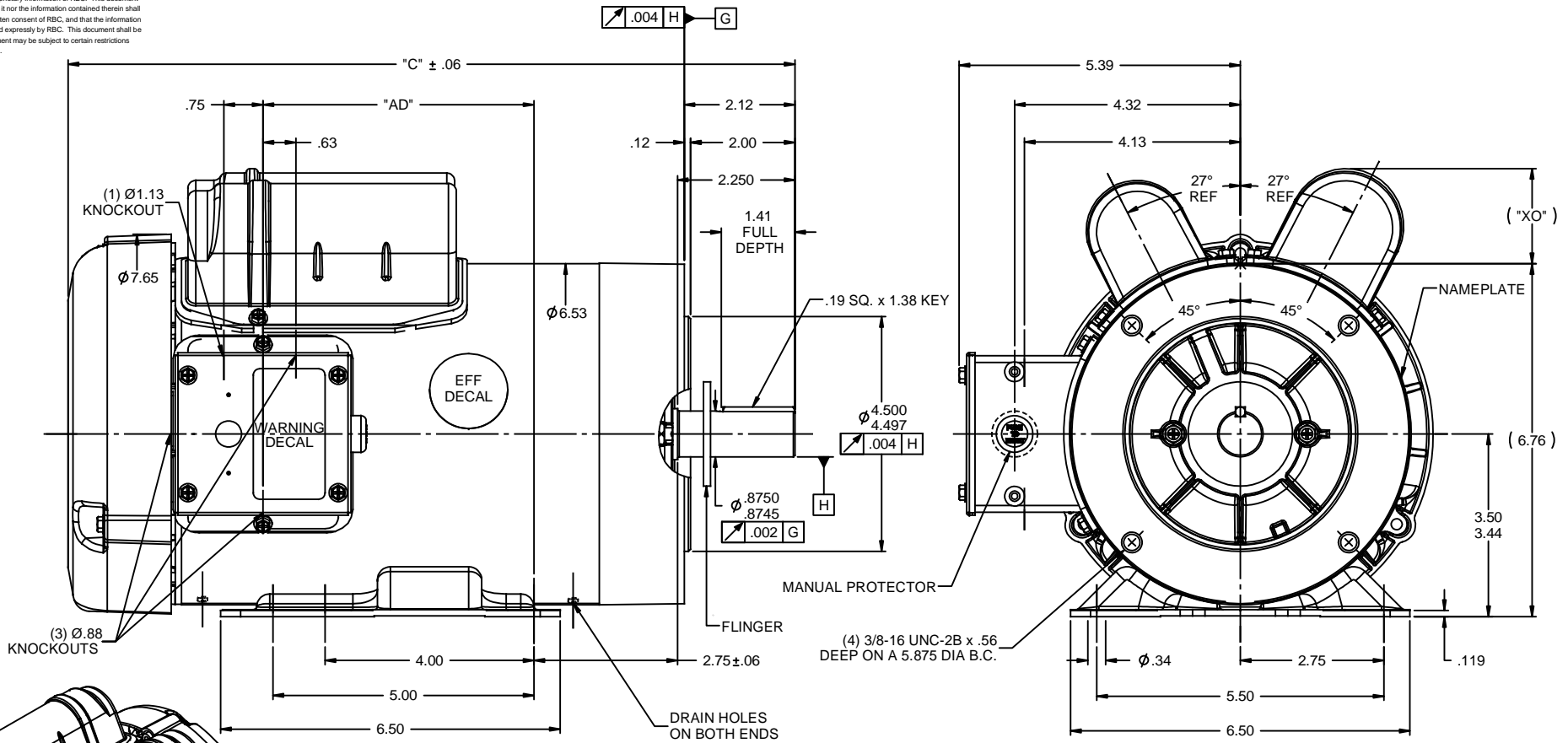


RBC PROPRIETARY AND CONFIDENTIAL INFORMATION
 This document is the property of REGAL BELOIT CORPORATION ("RBC") including its subsidiaries and divisions and contains proprietary information of RBC. This document is loaned on the express condition that neither it nor the information contained therein shall be disclosed to others without the express written consent of RBC, and that the information shall be used by the recipient only as approved expressly by RBC. This document shall be returned to RBC upon its request. This document may be subject to certain restrictions under U.S. export control laws and regulations.



DASH NO.	"C"	"AD"	CAP DASH	"XO"
700	12.93	4.19	A	1.15
750	13.43	4.69	B	1.60
800	13.93	5.19	C	1.82
850	14.43	5.69		
825	14.18	5.44		

- SPECIAL FEATURES:
 1) FLINGER ON SHAFT
 2) GASKETS THROUGHOUT
 3) MANUAL PROTECTOR

REVISION		BY & DATE	CHK ANG ±1/2°	FINISH	PAGE 1 OF 1
THIRD ANGLE PROJECTION			RFP 12/16/08	PREV	
			NETWORK FILE NAME	SIZE B	DRAWING NO 028917

TOLERANCES UNLESS SPECIFIED		LEESON ELECTRIC MOTORS GEARMOTORS AND DRIVES		DRAWN GRB 12/16/08
DEC	INCHES			CHK DJ 12/16/08
x	±.1			APPR DJ 12/16/08
.xx	±.03	TITLE OUTLINE - 140TC FRAME		SCALE 1:2
.xxx	±.005	TEFC - RIGID "C"		REF 028580
.xxxx	±.0005	MATL FARM DUTY		FMF 121625.00