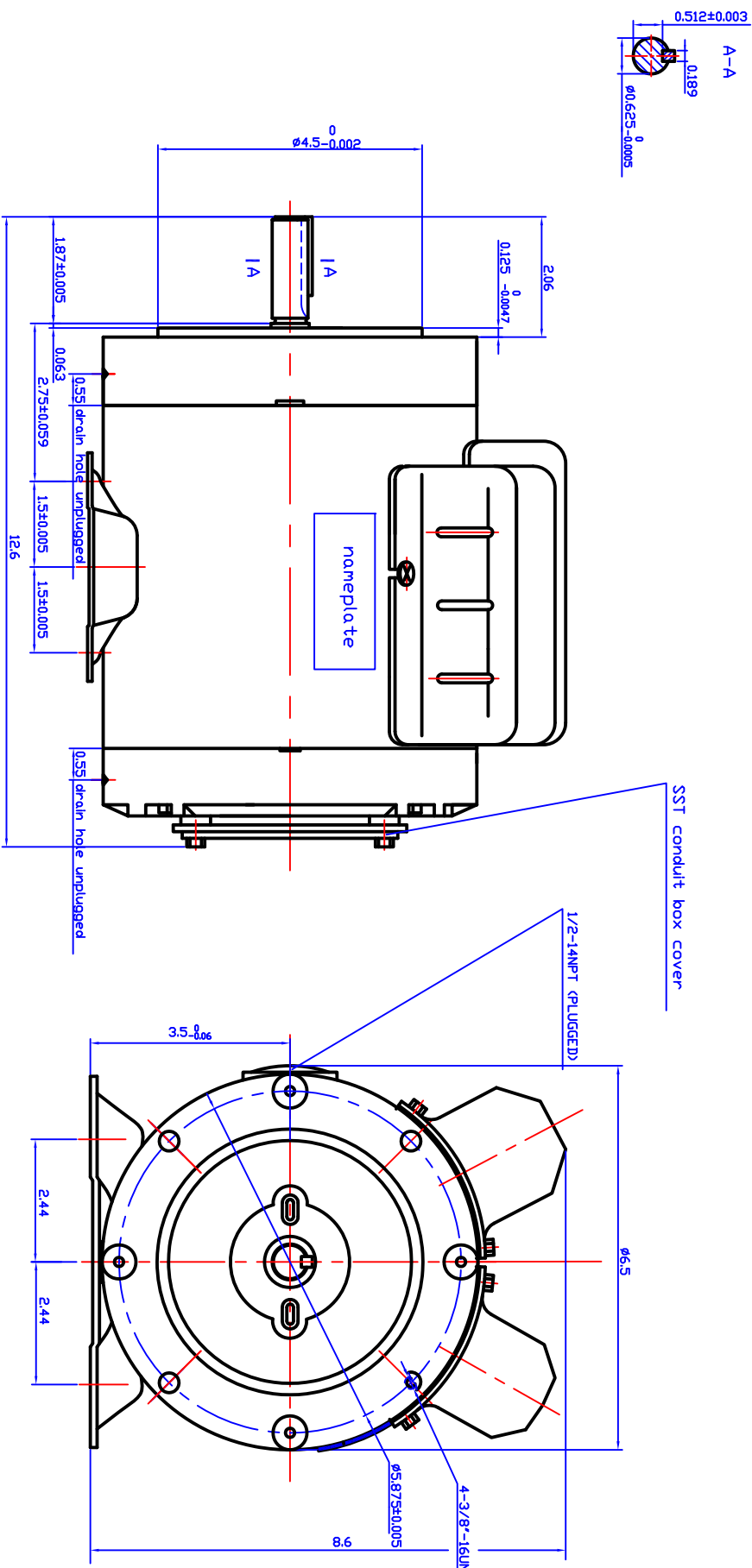
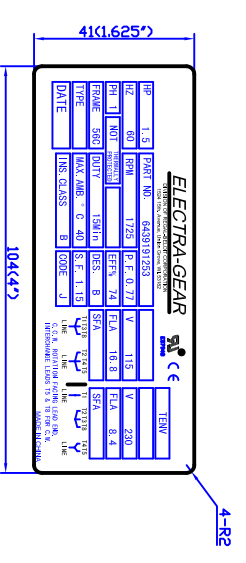


- Note:
1. The capacitor leads to be connected using flag terminals.
 2. All the hardwares are using SST..
 3. Drain hole at 6:00.
 4. C flange mounting holes have plugs.



Electra Cat. No.	FRAME	HP	Volt	RPM	Hz	PH	Encl.	S.F	Duty	thermal protector
6439191253	56C	1.5	115/230	1725	60	1	TENV	1.15	15min.	N/A



				TOLERANCES UNLESS OTHERWISE SPECIFIED			
NO.	REVISION	BY & DATE	CHK'D.				
THIS DRAWING IN DESIGN AND DETAIL IS OUR PROPERTY AND MUST NOT BE USED EXCEPT IN CONNECTION WITH OUR WORK ALL RIGHTS OF DESIGN AND INVENTION ARE RESERVED THIS IS AN ELECTRONICALLY GENERATED DOCUMENT - DO NOT SCALE THIS PRINT							
DRAWN				TITLE			
APPR.				6439191253 outline drawing			
R.F.P.				CUSTOMER			
SCALE				DATE			
REF.				2009.09.29			
FWF				REV.			
				DRAWING NO.			
				169994.00			