

Product Information Packet

November 9, 2016

Data shown is for the current revision model #. Ensure your nameplate model # matches.

Model Number:	5KS143STE105A
Catalog Number:	M7700
Instruction Manual:	GEI-M1031
Connection Diagram:	GEM2034E-FIG203
Outline Drawing:	358B6269AA

Accessory Connection Diagrams			
Bearing Thermocouple:	None	Heater:	None
RTD:	None	Thermistor:	None
Thermostat:	None	Winding Thermocouple:	None
Bearing RTD:	None		

Table of Contents	
Specification	01
Performance Characteristics	02
Outline Drawing	03
Connection Drawing(s)	04

Marks:

MODEL NUMBER:	5KS143STE105A	Estimated Weight:	66 Lbs
Outline Drawing:	358B6269AA	Time Rating:	CONT
Connection Diagram:	GEM2034E-FIG203	Enclosure:	TEFC
Instruction Book:	GEI-M1031	Encl Construction:	SD
Design Code:	14AD0011A	Ambient Max(°C):	40
Type:	KS	Alt Ambient Max(°C):	--
Frame:	143T	Insulation Class:	F
Phases:	3	NEMA Design:	--
Poles:	2	Nominal Efficiency:	77 %
Output Power:	1HP 0.7KW	Guaranteed Efficiency:	74.0
RPM:	3505	3/4 Load Efficiency:	85.6
Voltage:	230/460	KVA Code:	N
Hertz:	60	Max KVAR:	0.3
Amps - FL:	2.8/1.4	Power Factor:	88.5
Service Factor:	1.15	Bearing - DE:	6205ZZC3
Alt Service Factor:	--	Bearing - ODE:	6205ZZC3

Enclosure is Totally Enclosed Fan-Cooled

Stamped Nameplate Notes:

USABLE AT 200V @ 1 HP, 3.2 AMPS @ 1.0 SF

LRA: 22/11

50HZ DATA: .75 HP, 200/400V, 2.4/1.2 AMPS @ 1.15 SF

50HZ DATA: 1 HP, 200/400V, 3.2/1.6 AMPS @ 1.00 SF

GREASE TYPE: SHELL ALVANIA R3 LITHIUM GREASE

Additional Information:

CONDUIT BOX MATERIAL: CAST IRON

SUITABLE FOR USE IN CLASS I DIVISION 2 LOCATIONS

CLASS I DIVISION 2 GROUPS A,B,C,D T3C

CLASS I ZONE 2 IIC T3C



Performance Characteristics

1st Winding 1st Connection

Design: 14AD0011A

Marks:

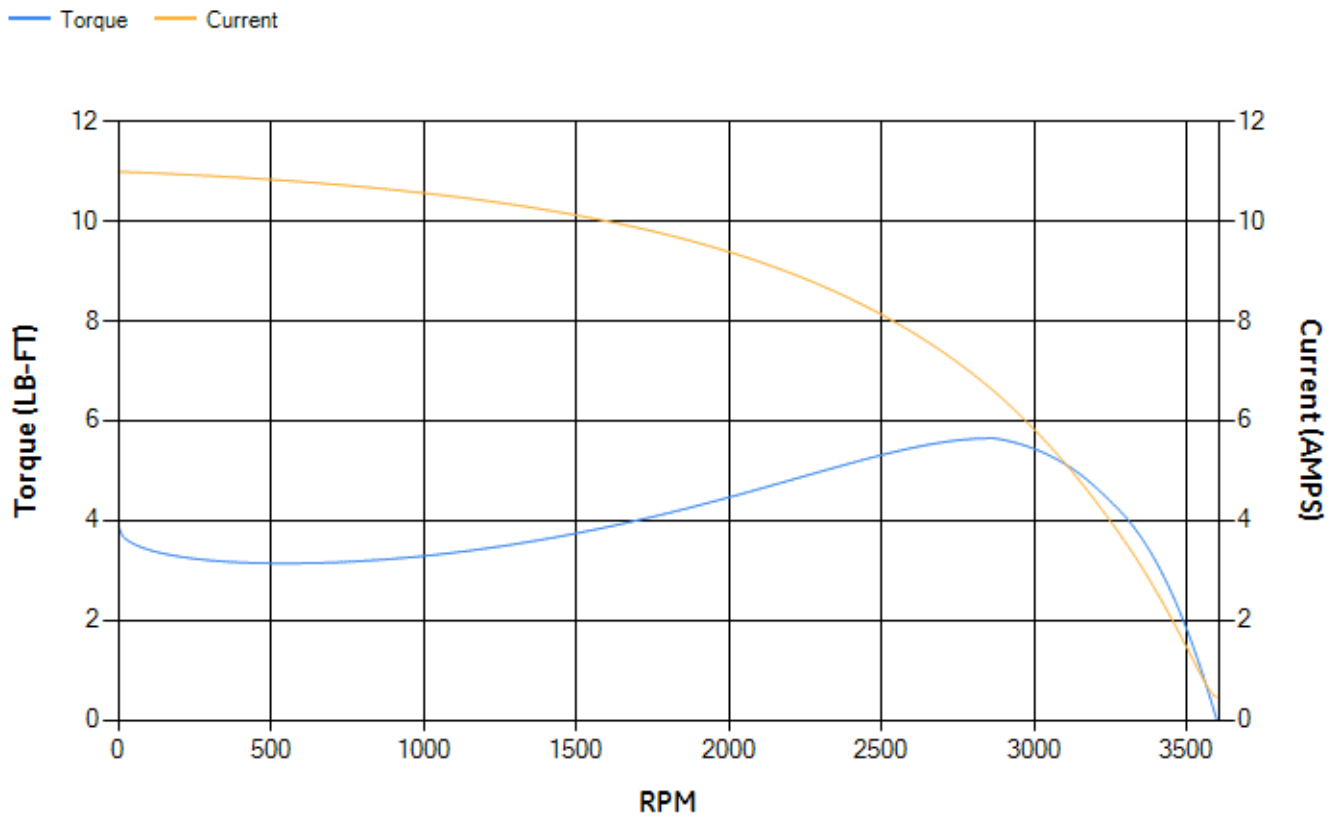
LOAD %	125.0	115.0	100.0	75.0	50.0	25.0	0.0
% EFF	84.08	84.65	85.5	85.6	84.05	76.62	0.00
% PF	90.73	90.07	88.64	84.4	75.36	55	13.92
AMPS	1.53	1.41	1.23	0.97	0.74	0.56	0.45

TORQ(FL)#FT	1.5	TORQ(LR)%FL	259	TORQ(BD)%FL	366.03
AMPS(LR)	10.99	PF AT START	0.62		

This motor is capable of two cold or one hot start with a maximum connected load inertia of 9 Lb-Ft Sq (0.38 Kg-meter Sq) at 100% voltage, where the load torque varies with the square of the speed. Acceleration time with maximum inertia and the above load type is 30 seconds. Safe stall time at 100% voltage is 71 seconds cold, 57 seconds hot. Rotor inertia is 0.04 Lb-Ft Sq (0 Kg-meter Sq).

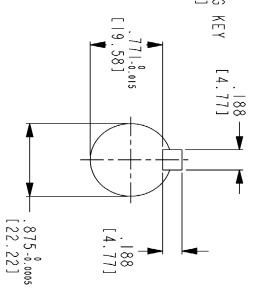
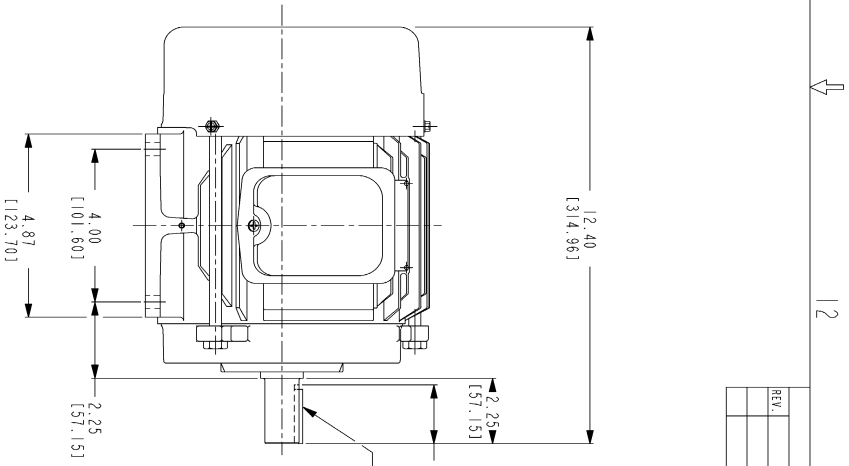
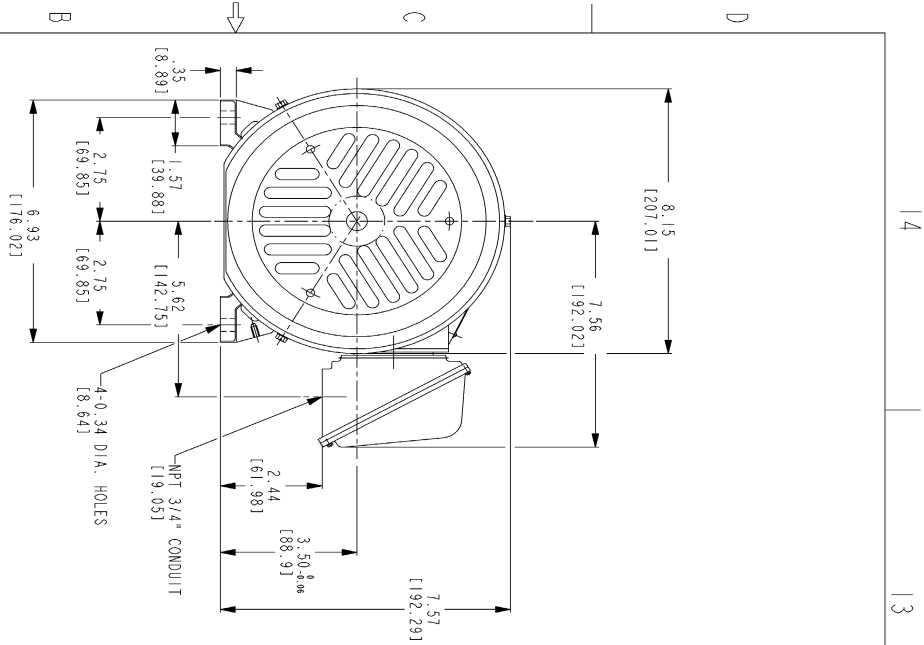
Open Circuit A-C:	0.268	Short Circuit D-C:	0.004
Short Circuit A-C:	0.008	X/R Ratio:	1.625
Stator Slots:	24	Rotor Slots:	28

Speed Torque Current Curve (First Connection, First Speed)

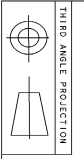


NAME:501291659 OBJECT:358B6269AA DATE:31-Dec-07 11:31:44

Marks:



- NOTES:
1. DIMENSIONS ARE IN INCHES.
 2. F-1 ASM AS SHOWN.
 3. F-2 ASM - HAS CONDUIT BOX ON OPPOSITE SIDE.
 4. BRACKETED DIMENSIONS ARE METRIC (MILLIMETERS)
 5. ICA11, IP94, IMB34 APPLY.



THIRD ANGLE PROJECTION

Part must conform to SI 900000 Sect 4, Toxicity Procedure

FOR ADDITIONAL INFO REFER TO:	SIGNATURES	DATE
REVISIONS		
UNLESS OTHERWISE SPECIFIED	SOUMITRA	12/26/07
DIMENSIONS ARE IN INCHES	SANJAY	12/26/07
TOLERANCE ON:	ENG	12/26/07
1. ALL DIMENSIONS ±	WE	
2. PL DIMENSIONS ±	QUALITY	
3. PL DIMENSIONS ±	ISSUED	SOUMITRA 12/26/07
ANGLES ±	SCALE:	
FRACTIONS ±	STY:	
FINISH	DRWING	
MATERIAL	SCALE:	
SOUMITRA		

GE Consumer & Industrial GENERAL ELECTRIC COMPANY

OUTLINE
 FTD - 143T TERC CE MARK
 471 CU IN CONDUIT BOX

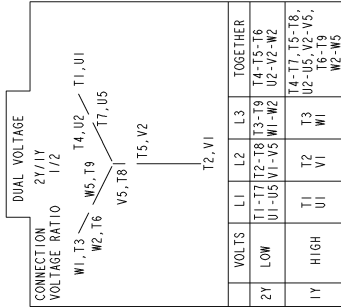
358B6269AA REV 0

REV.	DESCRIPTION	DATE	APPROVED

358B6269AA REV 0 SHEET 1 OF 1

Marks:

Connection Diagram
GEM2034E-FIG203



NAME: 500903578 OBJECT: GEM2034E-FIG203 DATE: 03-Nov-06 13:53:10