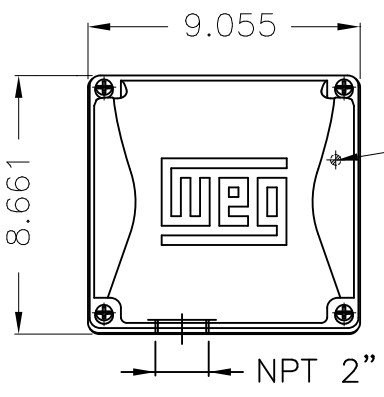
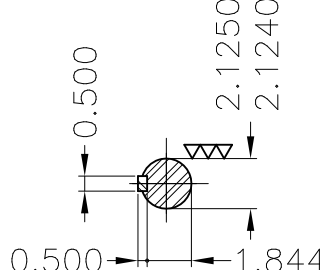
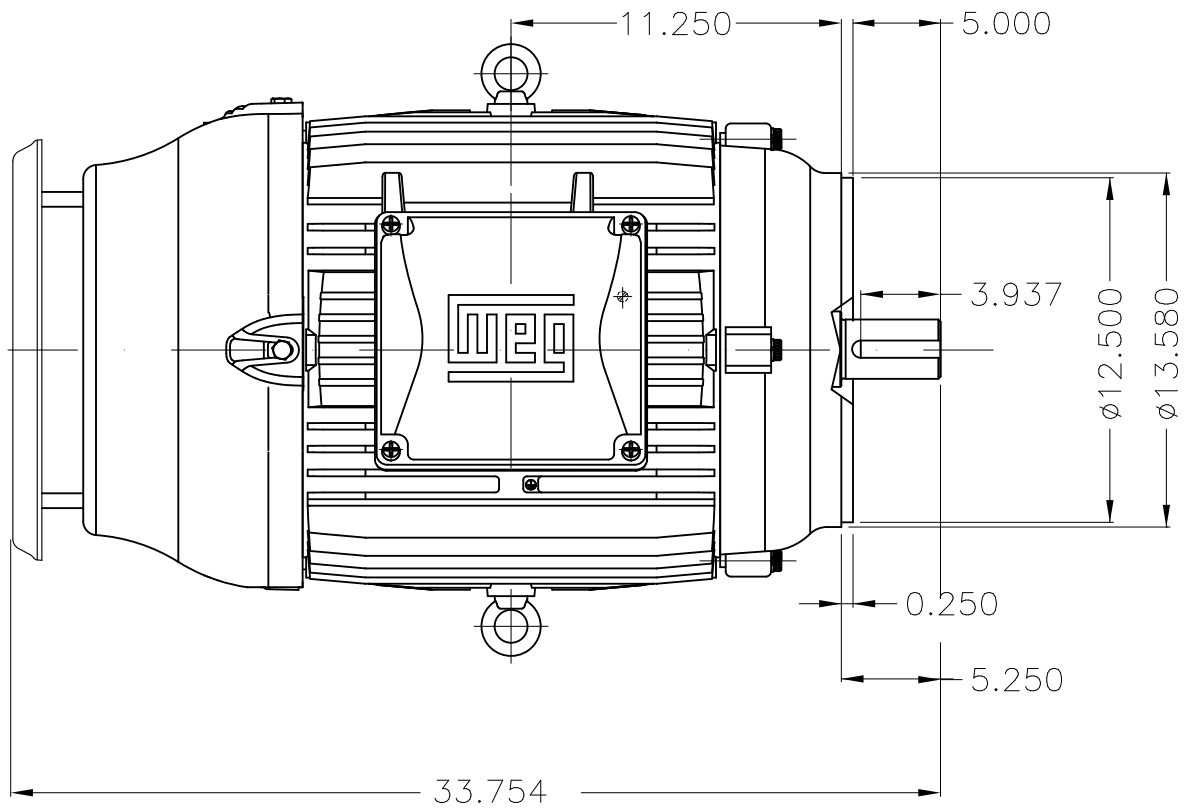
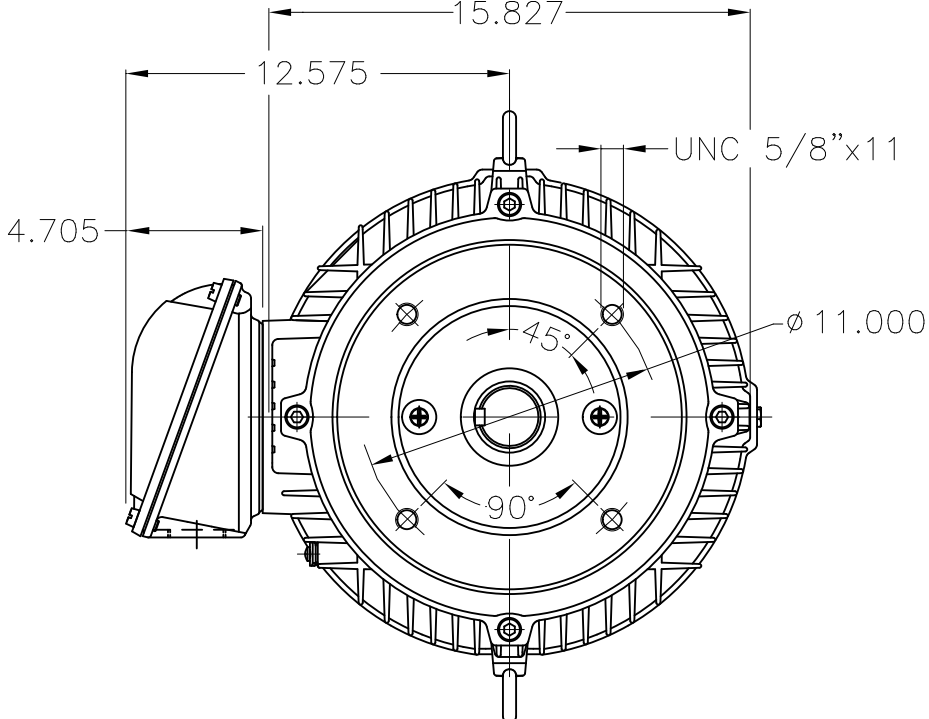


Dimensões em polegada  
Dimensions in inches

THIS IS AN UPDATED REVISION, THE  
PREVIOUS ONE MUST BE DISREGARDED.




Main terminal box



DE Shaft End

Color RAL 5009  
Painting plan 203A  
Mounting V18

| ECM      | LOC        | SUMMARY OF MODIFICATIONS  |  |                     | EXECUTED | CHECKED | RELEASED | DATE | VER |
|----------|------------|---|--|---------------------|----------|---------|----------|------|-----|
| EXECUTED | USERADMIN  |  | THREE PHASE W22 MOTOR - NEMA PREMIUM EFF |                     |          |         |          |      |     |
| CHECKED  |            |   | FRAME 326TC IP55 TEFC                    |                     |          |         |          |      |     |
| RELEASED |            |   | WEG code: 11625961                       |                     |          |         |          |      |     |
| REL DT   | 24.07.2017 | WMO   | Jaragua do Sul                           | Product Engineering | SHEET    | 1 / 1   |          |      |     |

50 HP 04 Poles 60Hz

A

