

# Product Information Packet

November 7, 2016

Data shown is for the current revision model #. Ensure your nameplate model # matches.

<b>Model Number:</b>	<b>5KS284ATE206A</b>
<b>Catalog Number:</b>	<b>E7757</b>
<b>Instruction Manual:</b>	GEI-M1023
<b>Connection Diagram:</b>	GEM2034E-FIG7
<b>Outline Drawing:</b>	358B6217AA

<b>Accessory Connection Diagrams</b>			
<b>Bearing Thermocouple:</b>	None	<b>Heater:</b>	None
<b>RTD:</b>	None	<b>Thermistor:</b>	None
<b>Thermostat:</b>	None	<b>Winding Thermocouple:</b>	None
<b>Bearing RTD:</b>	None		

<b>Table of Contents</b>	
Specification	01
Performance Characteristics	02
Outline Drawing	03
Connection Drawing(s)	04

**Marks:**

<b>MODEL NUMBER:</b>	<b>5KS284ATE206A</b>	<b>Estimated Weight:</b>	450 Lbs
<b>Outline Drawing:</b>	358B6217AA	<b>Time Rating:</b>	CONT
<b>Connection Diagram:</b>	GEM2034E-FIG7	<b>Enclosure:</b>	DP
<b>Instruction Book:</b>	GEI-M1023	<b>Encl Construction:</b>	OPEN
<b>Design Code:</b>	28AD1010C	<b>Ambient Max(°C):</b>	40
<b>Type:</b>	KS	<b>Alt Ambient Max(°C):</b>	--
<b>Frame:</b>	284T	<b>Insulation Class:</b>	F
<b>Phases:</b>	3	<b>NEMA Design:</b>	A
<b>Poles:</b>	4	<b>Nominal Efficiency:</b>	93.6 %
<b>Output Power:</b>	25HP 18.5KW	<b>Guaranteed Efficiency:</b>	92.4
<b>RPM:</b>	1780	<b>3/4 Load Efficiency:</b>	93.9
<b>Voltage:</b>	200	<b>KVA Code:</b>	J
<b>Hertz:</b>	60	<b>Max KVAR:</b>	11.8
<b>Amps - FL:</b>	74.2	<b>Power Factor:</b>	75
<b>Service Factor:</b>	1.15	<b>Bearing - DE:</b>	6312ZZ
<b>Alt Service Factor:</b>	--	<b>Bearing - ODE:</b>	6211ZZ

Enclosure is Dripproof

---

**Stamped Nameplate Notes:****Additional Information:**

4 POLE ODP  
 LRA: 521.5 AMPS  
 NO OF MOTOR LEADS: 3  
 CONDUIT BOX VOLUME (IN<sup>3</sup>): 244  
 CONDUIT BOX MTL: STAMPED STEEL  
 GREASE TYPE: SHELL ALVANIA R3 LITHIUM GREASE  
 50 HZ DATA: 25 HP, 200V, 108 AMPS @ 1.0 SF, 1480 RPM  
 SOUND POWER: 74.5  
 INVERTER DUTY PER NEMA MG1 PART 31  
 FOR VARIABLE TORQUE LOADS

**Performance Characteristics**

1st Winding 1st Connection

**Design: 28AD1010C**

Marks:

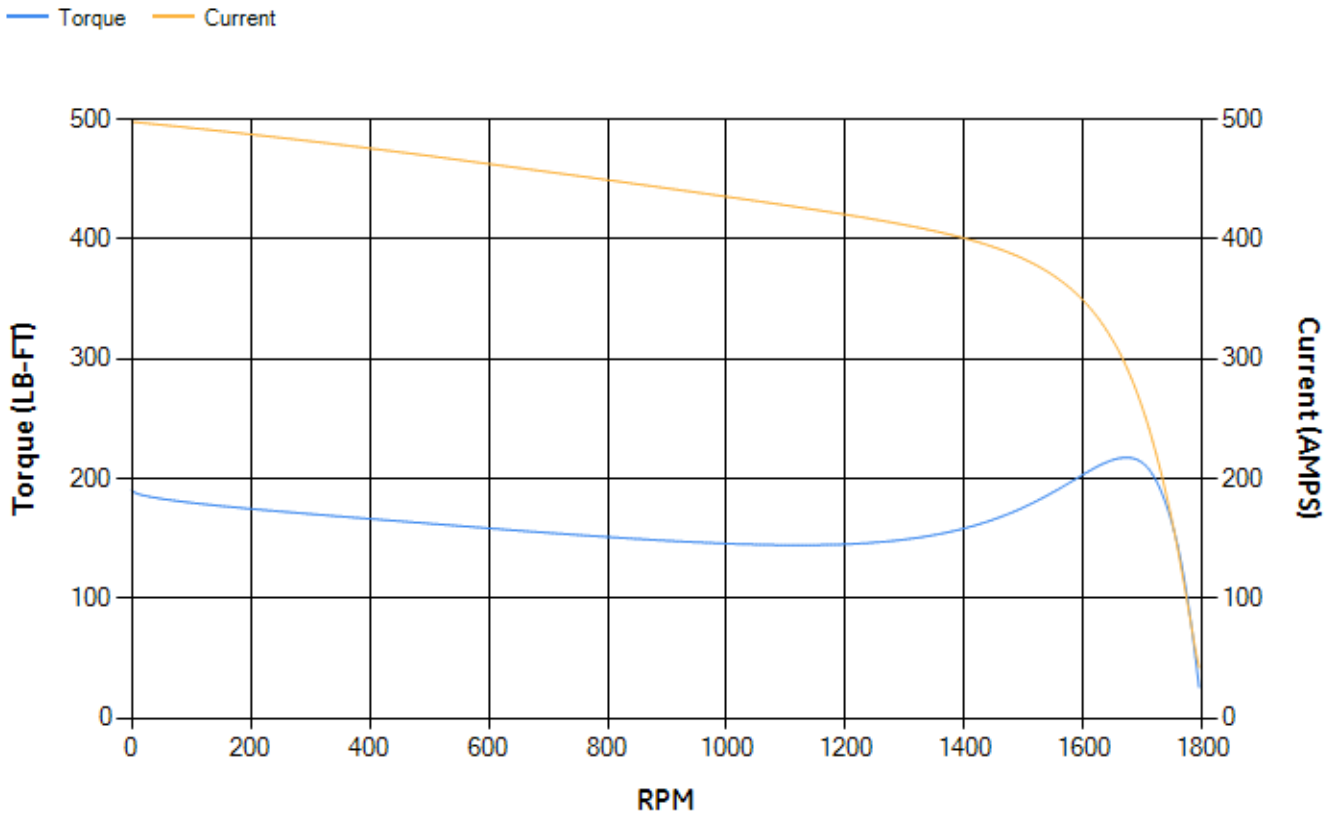
LOAD %	125.0	115.0	100.0	75.0	50.0	25.0	0.0
% EFF	93.64	93.81	94.17	93.88	92.88	88.7	0.00
% PF	80.42	79.56	77.64	71.9	60.59	39.04	4.47
AMPS	89.32	82.92	73.62	59.8	47.81	38.86	34.61

<b>TORQ(FL)#FT</b>	73.75	<b>TORQ(LR)%FL</b>	258.1	<b>TORQ(BD)%FL</b>	293.97
<b>AMPS(LR)</b>	497.89	<b>PF AT START</b>	0.38		

This motor is capable of two cold or one hot start with a maximum connected load inertia of 1016 Lb-Ft Sq (42.77 Kg-meter Sq)at 100% voltage, where the load torque varies with the square of the speed. Acceleration time with maximum inertia and the above load type is 43 seconds. Safe stall time at 100% voltage is 72 seconds cold, 64 seconds hot. Rotor inertia is 3.85 Lb-Ft Sq (0.16 Kg-meter Sq).

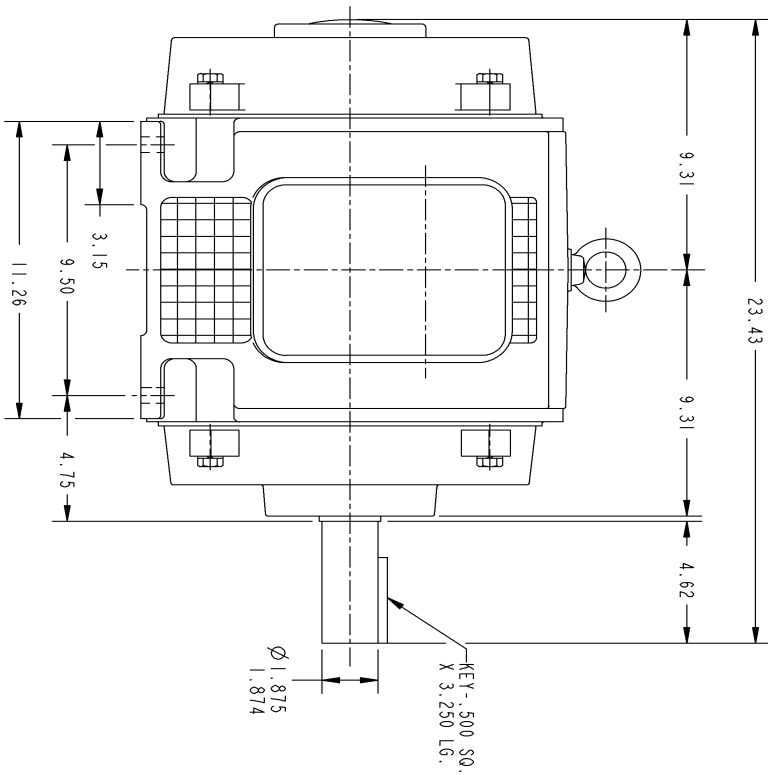
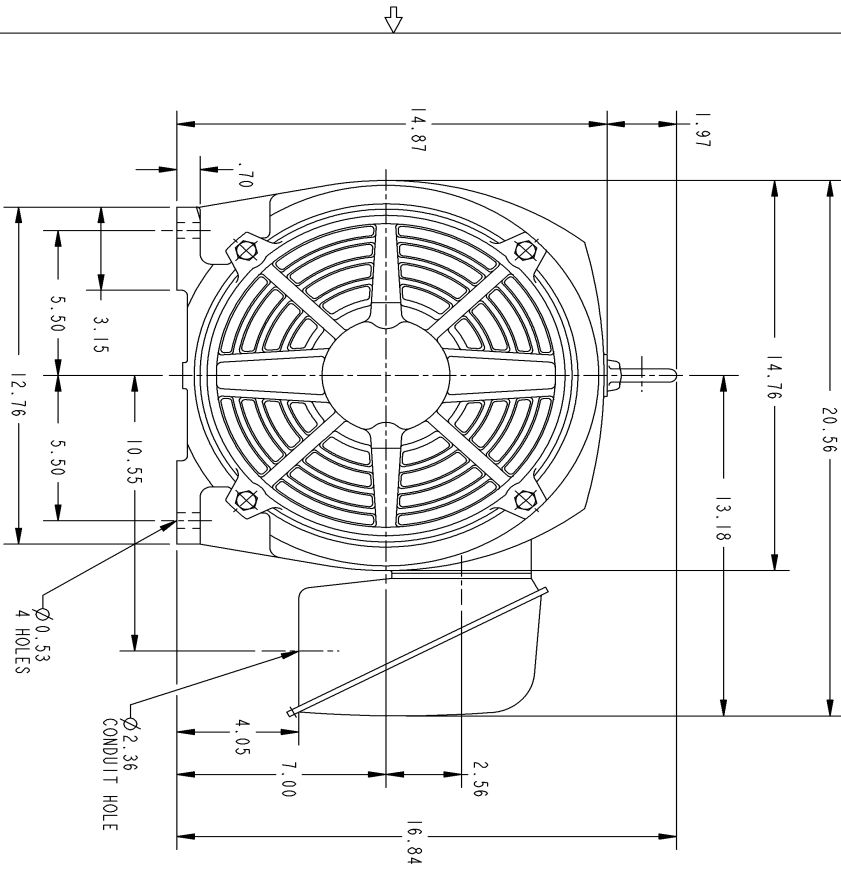
<b>Open Circuit A-C:</b>	0.456	<b>Short Circuit D-C:</b>	0.023
<b>Short Circuit A-C:</b>	0.027	<b>X/R Ratio:</b>	8.655
<b>Stator Slots:</b>	48	<b>Rotor Slots:</b>	40

**Speed Torque Current Curve (First Connection, First Speed)**

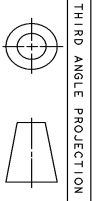


NAME:501452442 OBJECT:358B6217AA DATE:15-May-07 15:32:08

Marks:



- NOTES :
1. CONDUIT BOX MAY BE PLACED WITH THE ENTRANCE DOWN, UP OR ON EITHER SIDE.
  2. F-1 ASW AS SHOWN.
  3. F-2 ASW - HAS CONDUIT BOX ON OPPOSITE SIDE.



SIZE DRAWING FOR		REV	
B 358B6217AA		1	
GE PROPRIETARY INNOVATION			
<p>This General is the property of General Electric Company (GEC) and contains confidential information. This General is issued on the express condition that the recipient will not disclose the information contained herein to any third party without the prior written consent of GEC. This General shall be returned to GEC upon its receipt by the recipient and shall not be used for any purpose other than that for which it was issued. This General shall be returned to GEC upon its receipt by the recipient and shall not be used for any purpose other than that for which it was issued.</p>			
REV.	DESCRIPTION	DATE	APPROVED
1	ISAAC 07-0770	05/03/07	R. KOHNE

UNLESS OTHERWISE SPECIFIED:		SIGNATURES		DATE	
DIMENSIONS ARE IN INCHES		DRAWN		P. RAJU 03/27/03	
TOLERANCE ON:		CHECKED		PRADHAKAR 03/27/03	
2 PL. DECIMALS ± .		ENGR		PRADHAKAR 03/27/03	
3 PL. DECIMALS ± .		ISSUED		PRADHAKAR 03/27/03	
ANGLES ± 1°		APPLIED PRACTICES		SCALE: DRAWING SCALE	
MATERIAL:		SIZE DRAWING		REV.	
		B		1	
		358B6217AA		SHEET 1 OF 1	
		284T - OPEN DRIP PROOF		DISTRIBUTION:	
		GENERAL ELECTRIC COMPANY			
		Fort Wayne, Indiana			
		Systems			
		OUTLINE			

Marks:

**Connection Diagram**  
**GEM2034E-FIG7**

