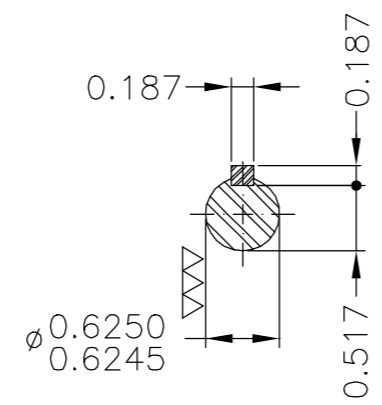
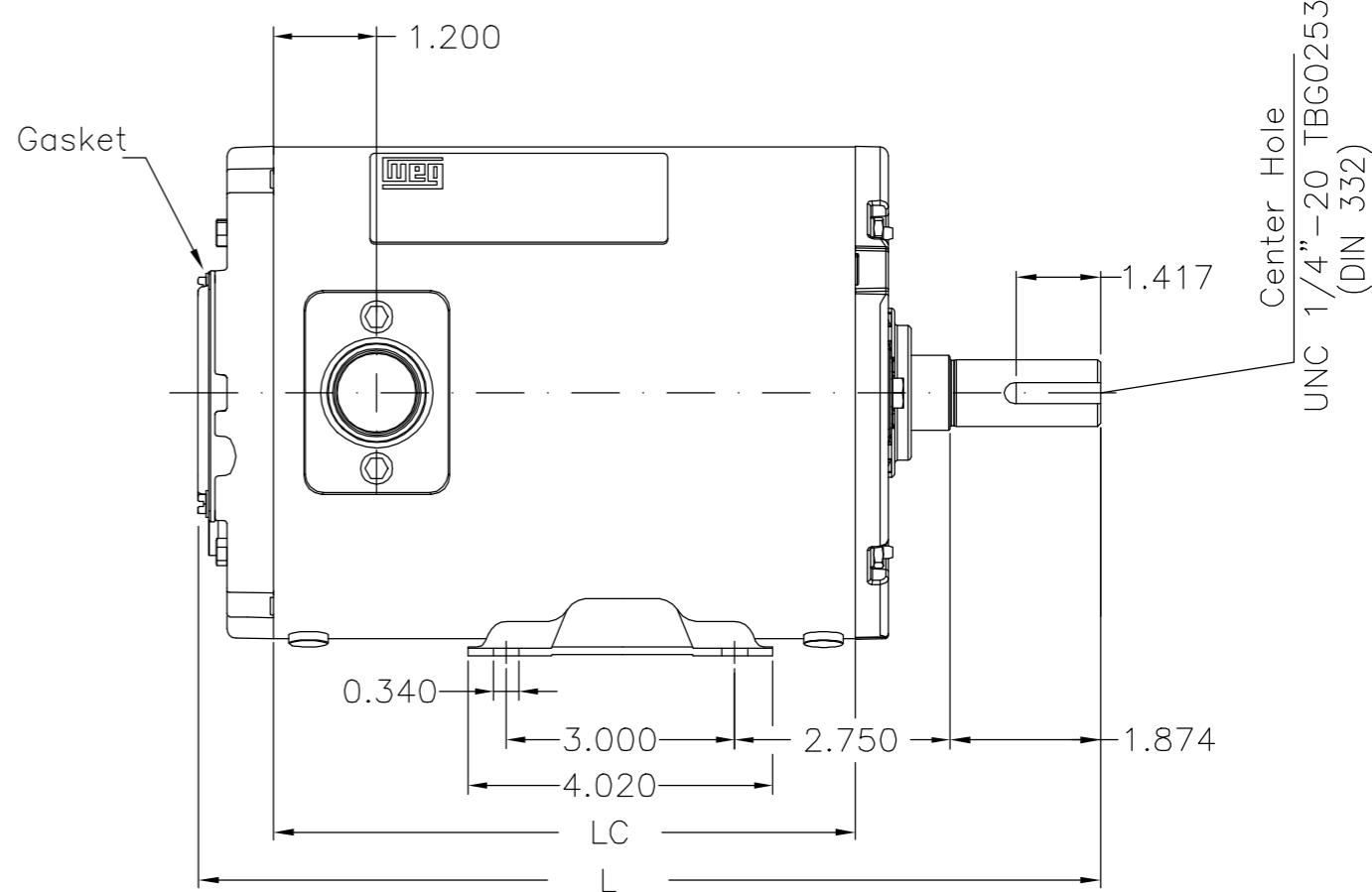
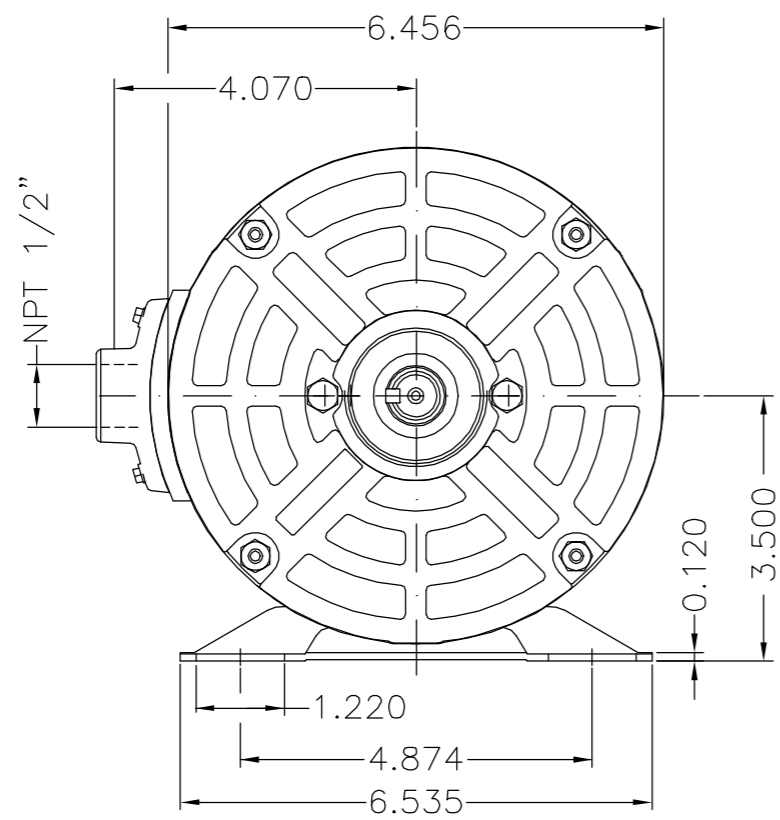


EIXO/SHAFT	
PADRÃO/STANDARD	
OPCIONAL/OPTIONAL	
ESPECIAL/SPECIAL	X

THIS IS AN UPDATED REVISION, THE PREVIOUS ONE MUST BE DISREGARDED.

A
B
C
D
E



Anel de fixação do rolamento / Bearing cap
 Vedação - V'ring / Sealing - V ring
 Plano de pintura 207N / Painting plan 207N
 Forma construtiva B3D / Mounting B3R(D)

WEG ELECTRIC CORP.

500001104125	ALTERAÇÃO CONFORME CLAIM 414038642	LGAMA	TOBIASR	03.11.2015	03			
500001048017	CORRIGIDO NOTA FORMA CONSTR.	TOBIASR	DEYKSON	18.06.2015	02			
ECM	LOC	SUMMARY OF MODIFICATIONS		EXECUTED	CHECKED	RELEASED	DATE	VER
EXECUTED	PATRICKL	THREE PHASE MOTOR TEAO ROLLED STEEL		10003346240				
CHECKED		FRAME 56Z IP55		000 03				
RELEASED	JTOGNERI							
REL DT	10.02.2015	WMO	JARAGUA DO SUL	ENGENHARIA DE PRODUTO	SHEET	1 / 1		

					LC	L	
1 HP	02 Poles	60Hz	413730543		6.693	10.774	B
0,75 HP	02 Poles	60Hz	413730541		6.300	10.380	A

UNCONTROLLED COPY
RELEASED
ZME A3