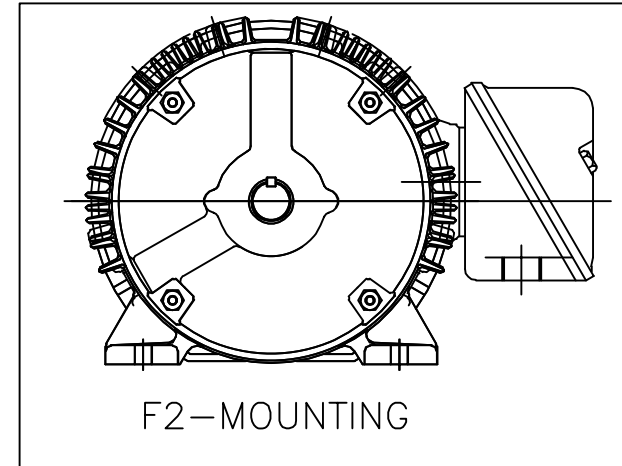
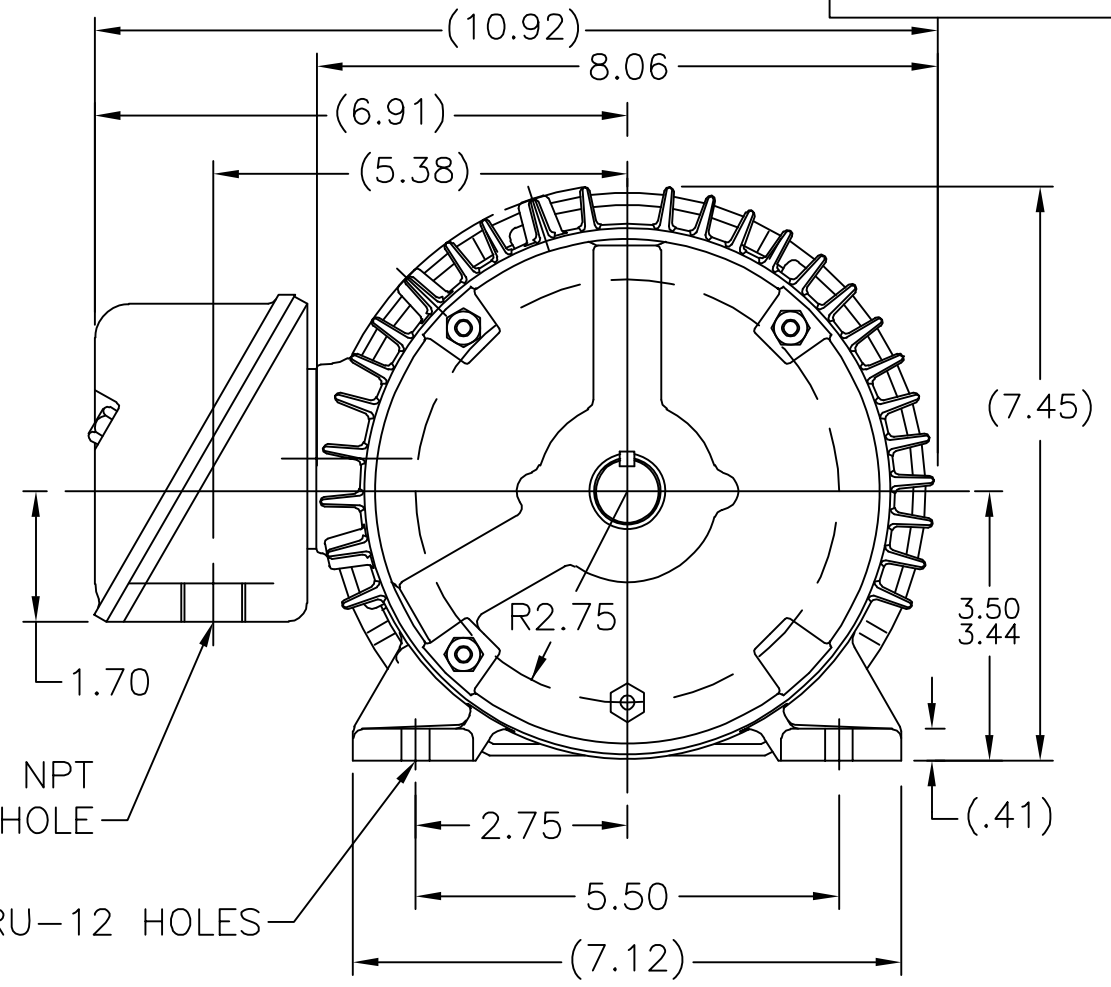
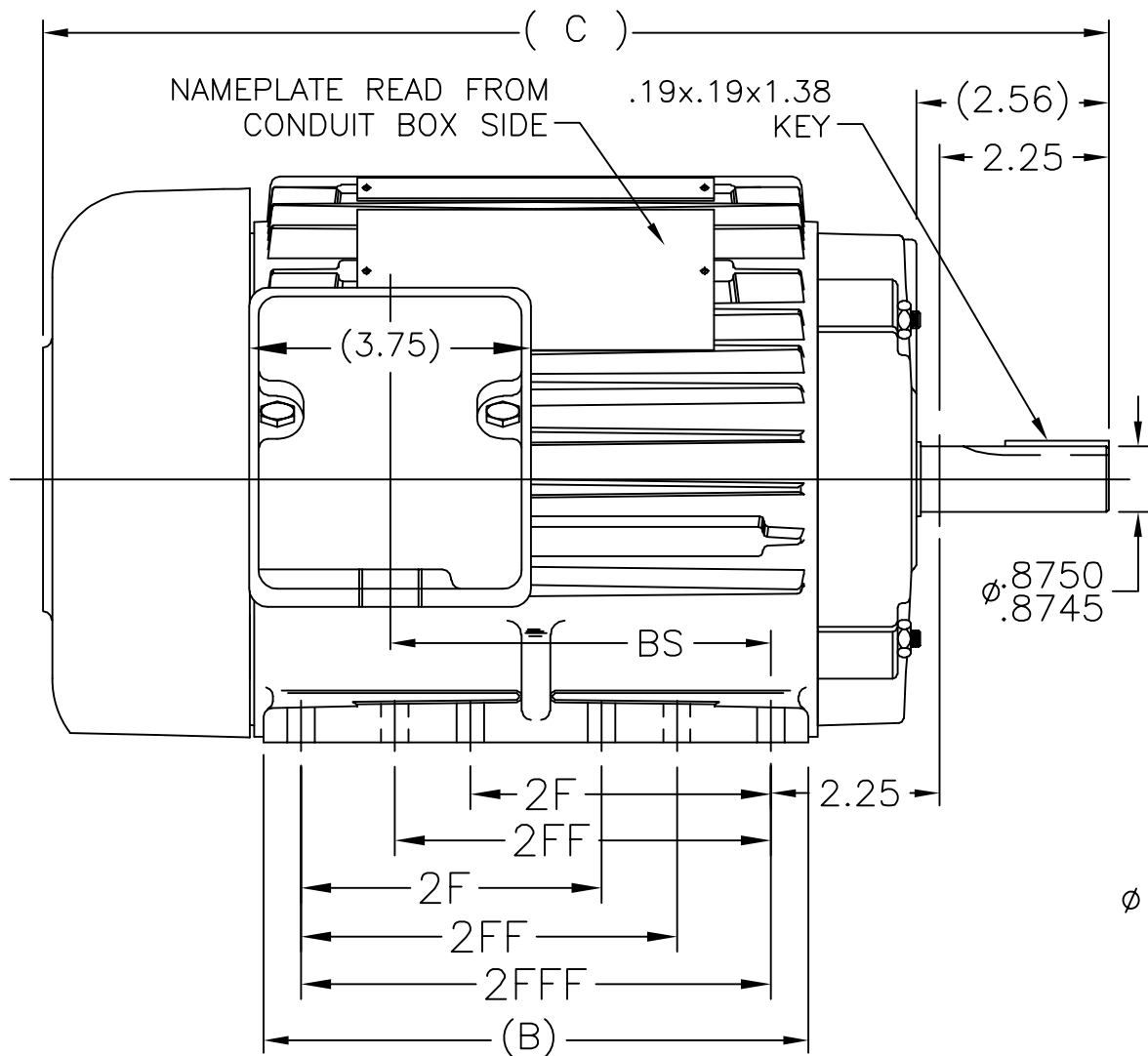


105546



NOTES:
 1- BOX CAN BE ROTATED IN 90° STEPS.
 2- BOX CAN BE MOUNTED ON OPPOSITE SIDE BY REMOVING BRACKETS AND TURNING FRAME 180°.

DASH	FR.	C	B	BS	2F	2FF	2FFF
750	143/5T	14.17	7.25	5.06	4.00	5.00	6.25

6	UPDATED PER ECO-0064358	UD 11-04-14		TOLERANCES UNLESS SPECIFIED				DRAWN DRS 01-24-2003	
5	UPDATED PER ISAAC 11-4672	RFH 01/31/2012	EH	DEC.	INCHES			CHK ML 01-24-2003	
4	ADDED F2 VIEW	SVL 1-3-2012		.X	±.1	APPD GK 01-24-2003		SCALE 5=16	
3	REMOVED 145T-625	CN 29200-336	NJS 01-02-2004	PJB	.XX	±.03	TITLE OUTLINE		REF
2	ADDED 2F & FFF	MU47117	ML 06-19-2003	ML	.XXX	±.005	140T - BB - TS - TEFC		FMF
1	NEW DRAWING	CN 29400-1150	DRS 01-24-2003	ML	.XXXX	±.0005	MAT'L.		PREV
NO.	REVISION	BY & DATE	CHK	ANG	±7'30"	FINISH			

THIS DRAWING IN DESIGN AND DETAIL IS OUR PROPERTY AND MUST NOT BE USED EXCEPT IN CONNECTION WITH OUR WORK ALL RIGHTS OF DESIGN AND INVENTION ARE RESERVED THIS IS AN ELECTRONICALLY GENERATED DOCUMENT - DO NOT SCALE THIS PRINT

RFP	CAD FILE 105546	SIZE A	DRAWING NO. 105546	PAGE OF	REV. 6
DIST WP					