

# Product Information Packet

November 7, 2016

Data shown is for the current revision model #. Ensure your nameplate model # matches.

<b>Model Number:</b>	<b>5KS213ATE205F2RG3</b>
<b>Catalog Number:</b>	<b>E7061</b>
<b>Instruction Manual:</b>	GEI-M1023
<b>Connection Diagram:</b>	GEM2034E-FIG10
<b>Outline Drawing:</b>	358B6215AD

Accessory Connection Diagrams			
<b>Bearing Thermocouple:</b>	None	<b>Heater:</b>	None
<b>RTD:</b>	None	<b>Thermistor:</b>	None
<b>Thermostat:</b>	None	<b>Winding Thermocouple:</b>	None
<b>Bearing RTD:</b>	None		

Table of Contents	
Specification	01
Performance Characteristics	02
Outline Drawing	03
Connection Drawing(s)	04

**Marks:**

<b>MODEL NUMBER:</b>	<b>5KS213ATE205F2RG3</b>	<b>Estimated Weight:</b>	158 Lbs
<b>Outline Drawing:</b>	358B6215AD	<b>Time Rating:</b>	CONT
<b>Connection Diagram:</b>	GEM2034E-FIG10	<b>Enclosure:</b>	DP
<b>Instruction Book:</b>	GEI-M1023	<b>Encl Construction:</b>	OPEN
<b>Design Code:</b>	21AD1006A	<b>Ambient Max(°C):</b>	40
<b>Type:</b>	KS	<b>Alt Ambient Max(°C):</b>	--
<b>Frame:</b>	213T	<b>Insulation Class:</b>	F
<b>Phases:</b>	3	<b>NEMA Design:</b>	A
<b>Poles:</b>	4	<b>Nominal Efficiency:</b>	91 %
<b>Output Power:</b>	7.5HP 5.6KW	<b>Guaranteed Efficiency:</b>	89.5
<b>RPM:</b>	1765	<b>3/4 Load Efficiency:</b>	92.1
<b>Voltage:</b>	230/460	<b>KVA Code:</b>	K
<b>Hertz:</b>	60	<b>Max KVAR:</b>	3.1
<b>Amps - FL:</b>	19.4/9.7	<b>Power Factor:</b>	79.5
<b>Service Factor:</b>	1.15	<b>Bearing - DE:</b>	6308ZZ
<b>Alt Service Factor:</b>	--	<b>Bearing - ODE:</b>	6208ZZ

Enclosure is Dripproof

---

**Stamped Nameplate Notes:****Additional Information:**

MADE FROM MODEL 5KS213ATE205F2  
 ADD AEGIS GROUND RING  
 MOD AMSTUTZ 15-NOV-2011

**Performance Characteristics**

1st Winding 1st Connection

**Design: 21AD1006A**

**Marks:**

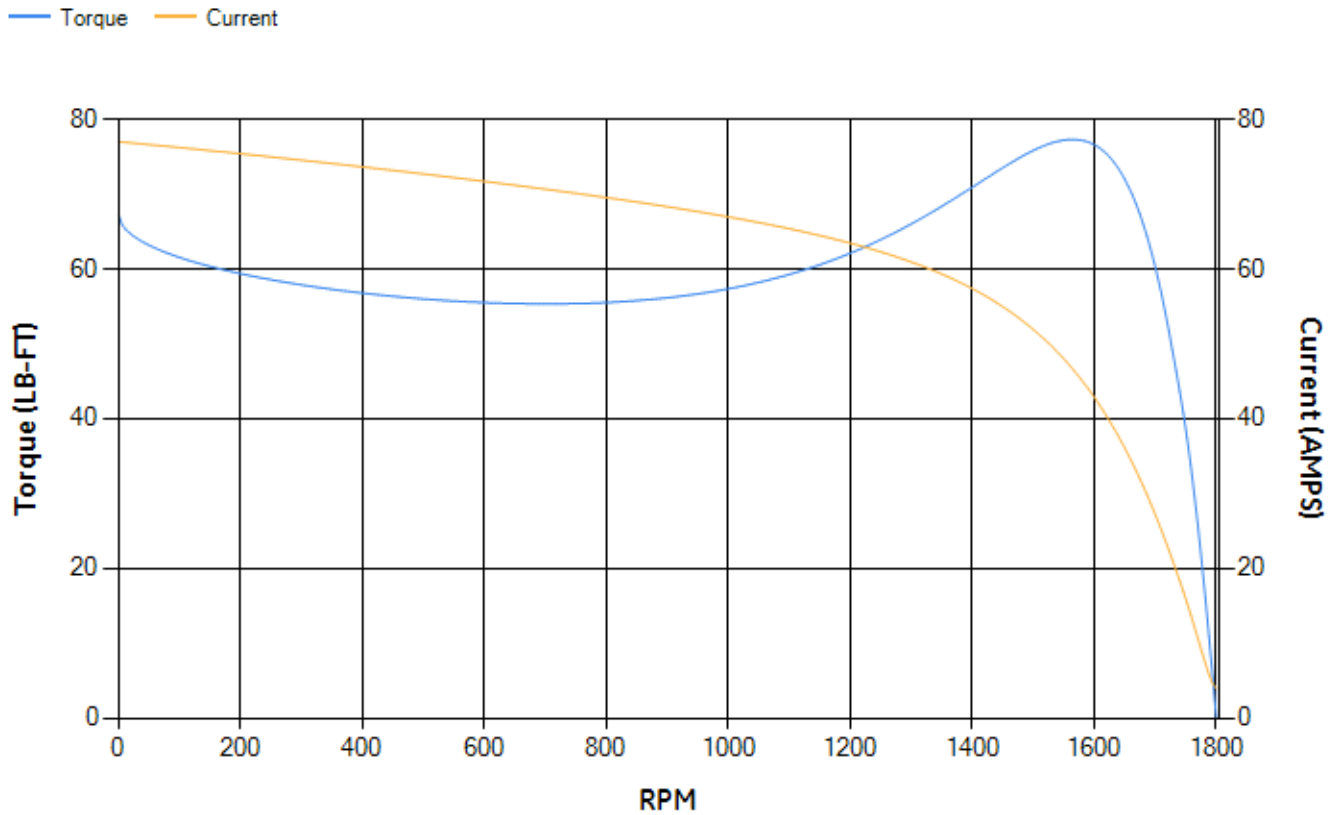
LOAD %	125.0	115.0	100.0	75.0	50.0	25.0	0.0
% EFF	91	91.38	92.02	92.12	91.41	87.18	0.00
% PF	83.42	82.7	81.04	75.94	65.38	43.66	5.62
AMPS	11.56	10.68	9.41	7.53	5.87	4.61	3.99

<b>TORQ(FL)#FT</b>	22.26	<b>TORQ(LR)%FL</b>	302.36	<b>TORQ(BD)%FL</b>	344.34
<b>AMPS(LR)</b>	77.01	<b>PF AT START</b>	0.43		

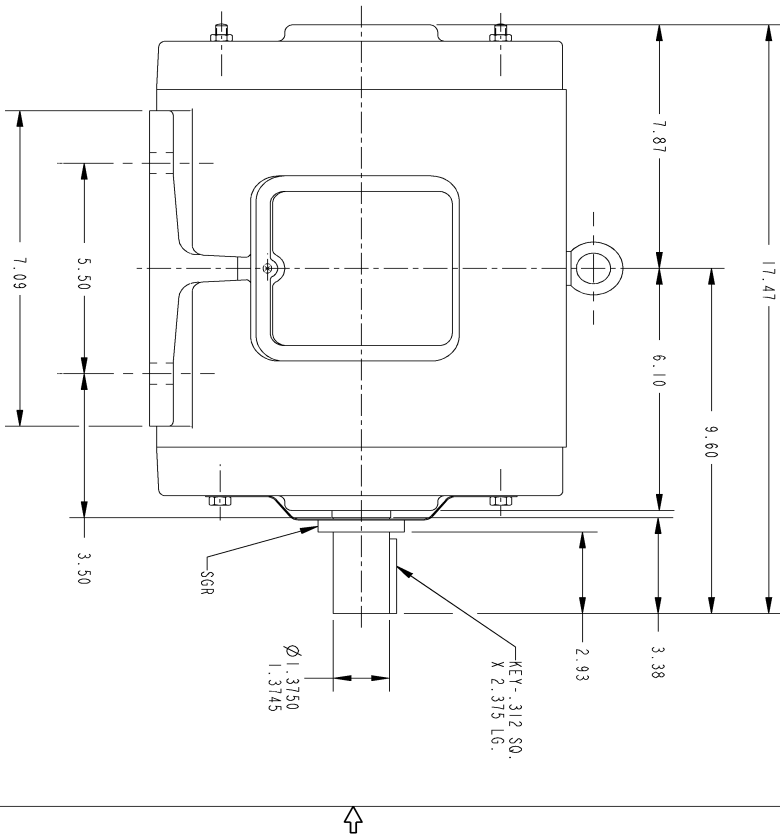
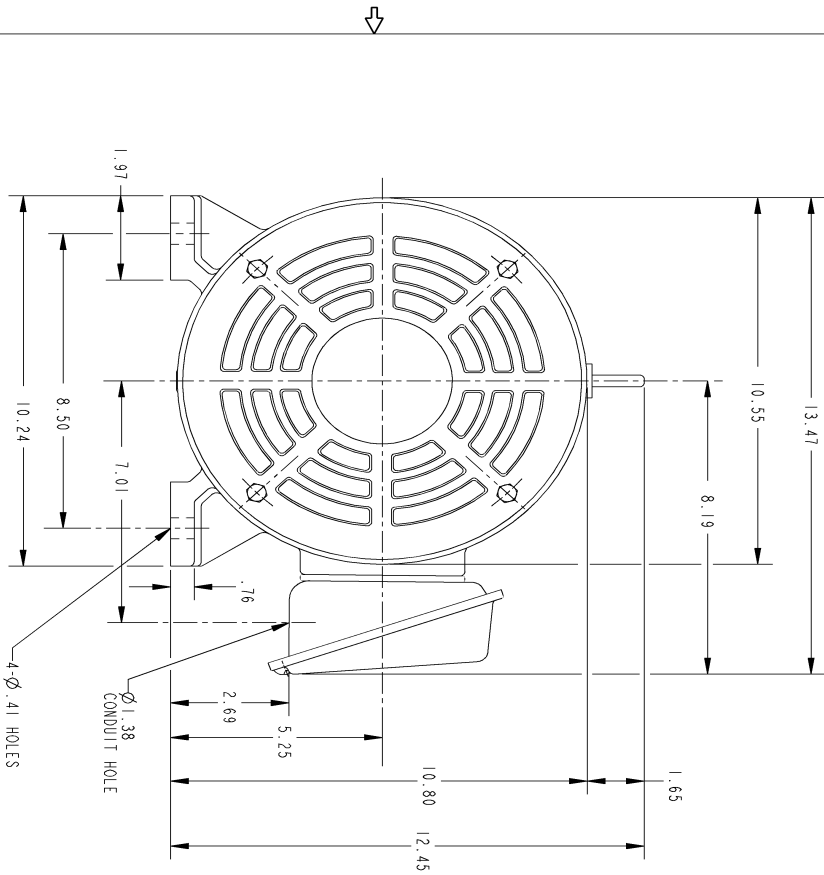
This motor is capable of two cold or one hot start with a maximum connected load inertia of 292 Lb-Ft Sq (12.29 Kg-meter Sq) at 100% voltage, where the load torque varies with the square of the speed. Acceleration time with maximum inertia and the above load type is 32 seconds. Safe stall time at 100% voltage is 75 seconds cold, 53 seconds hot. Rotor inertia is 0.82 Lb-Ft Sq (0.03 Kg-meter Sq).

<b>Open Circuit A-C:</b>	0.347	<b>Short Circuit D-C:</b>	0.011
<b>Short Circuit A-C:</b>	0.016	<b>X/R Ratio:</b>	4.112
<b>Stator Slots:</b>	48	<b>Rotor Slots:</b>	40

**Speed Torque Current Curve (First Connection, First Speed)**



Marks:



THIRD ANGLE PROJECTION



NOTES :

1. CONDUIT BOX MAY BE PLACED WITH THE ENTRANCE DOWN, UP OR ON EITHER SIDE.
2. F-1 ASN AS SHOWN.
3. F-2 ASN - HAS CONDUIT BOX ON OPPOSITE SIDE.

GE PROPRIETARY INFORMATION  
 This document is the property of General Electric Company ("GE") and contains proprietary information of GE. This document is issued on the express condition that neither it nor the information contained herein shall be disclosed to any third party without the prior written consent of GE. The information shall be used by the recipient only as approved expressly by GE. This document shall be returned to GE upon its request. It is not to be used in connection with any other project or for any other purpose without the prior written consent of GE. Copying, distribution, or reproduction of this document is prohibited without the prior written consent of GE.

REV.	DESCRIPTION	DATE	APPROVED

SIZE: DRAWING NO. **358B6215AD** REV. **0** SHEET **1**

REVISIONS

SIGNATURES	DATE	GE Motors	GENERAL ELECTRIC COMPANY
MODEL	01/14/11		
DETAIL	SHANKAR	01/14/11	
CHECKED	VENKAT. J	01/14/11	
ENGRS	VENKAT. J	01/14/11	
WEG			
QUALITY			
ISSUED	SHANKAR	01/14/11	
SOLID MODEL MODEL NAME			

TITLE: **OUTLINE**  
**213T - OPEN DRIP PROOF WITH SGR**

SCALE: DRAWING SCALE **358B6215AD** REV **0**

SHEET 1 OF 1

Marks:

**Connection Diagram**  
**GEM2034E-FIG10**

