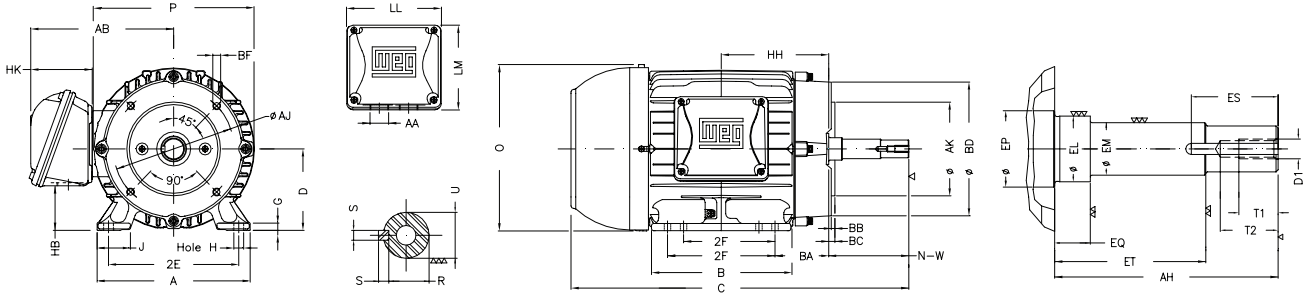
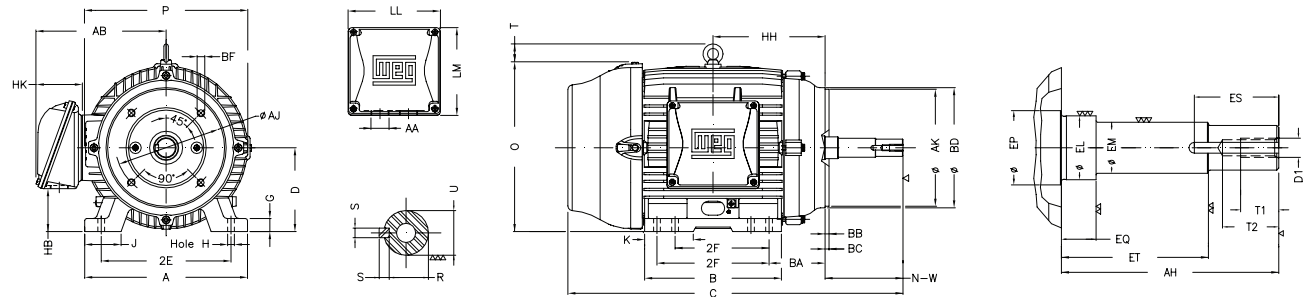


# W22 JM & JP Pump Motors - NEMA Premium TEFC - Mechanical Data

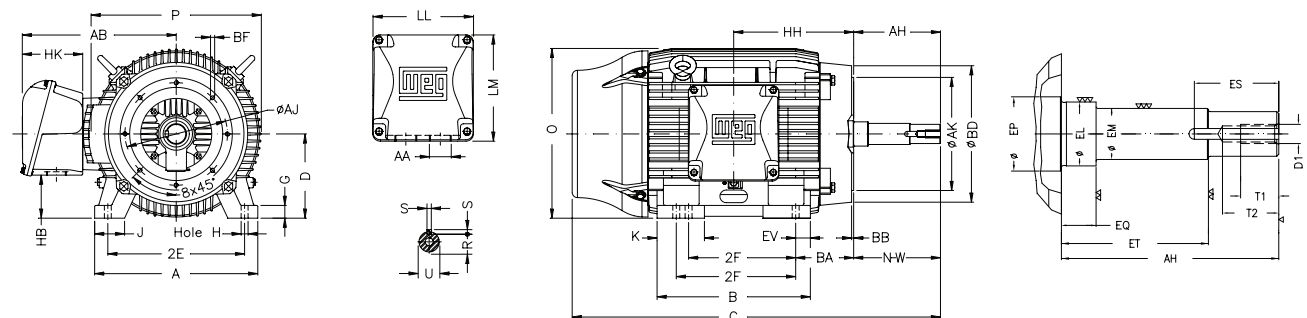
Frames 143/5JM or JP to 213/5JM or JP



Frames 254/6JM or JP to 324/6JM or JP



Frames 364/5JM or JP to 404/5JP



# W22 JM & JP Pump Motors - NEMA Premium

## TEFC - Mechanical Data

### JM Type

Frame	BA	AJ	AK	BB	BD	BF TAP	BF NUMBER	C	AH	EQ	ET	U	EM	EL	S	R	ES	d1	T1	T2	DE BRG	N.D.E. BRG		
143/5JM	2.250			0.156	6.496	UNC 3/8"x16	4	15.304	4.258	0.630	2.880	0.874	1.000	1.156	0.187	0.768	1.575	UNC 3/8"-16	0.748	1.102	6206 ZZ	6204 ZZ		
182/4JM	2.750	5.874	4.500					17.020						26.102							1.250	6307 ZZ	6206 ZZ	
213/5JM	3.500			0.250	8.858	UNC 1/2"x13		20.174	5.250		3.006	1.249	1.375	1.750	0.250	1.110	2.480	UNC 1/2"-13	0.984	1.496	6309 ZZ-C3	6207 ZZ	6309 C3	6209 C3
254/6JM	4.250	7.252	8.500					26.102													28.700	6311 C3	6211 C3	
284/6JM	4.750			13.593	UNC 5/8"x11	8	28.700	33.031																
324/6JM	5.250	11.000	12.500				29.645																6312 C3	6212 C3
364/5JM	5.875			15.562																			6314 C3	6314 C3

### JP Type

Frame	BA	AJ	AK	BB	BD	BF TAP	BF NUMBER	C	AH	EQ	ET	U	EM	EL	S	R	ES	d1	T1	T2	DE BRG	N.D.E. BRG			
143/5JP	2.250	5.874		0.156	6.496	UNC 3/8"x16	4	18.365	7.319	1.563	5.941	0.874	1.000	1.156	0.187	0.768	1.575	UNC 3/8"-16	0.748	1.102	6206 ZZ	6204 ZZ			
182/4JP	2.750	5.874	4.500					20.395						28.736							1.250	6307 ZZ	6206 ZZ		
213/5JP	3.500	7.252		0.250	8.858	UNC 1/2"x13		24.046	8.130		2.382	5.886	1.249	1.375	1.750	0.250	1.110	2.480	UNC 1/2"-13	0.984	1.496	6309 ZZ-C3	6207 ZZ	6309 C3	6209 C3
254/6JP	4.500	7.252	8.500					28.736														31.575	6311 C3	6211 C3	
284/6JP	5.000	11.000		13.593	UNC 5/8"x11	8	31.575	38.911																	
324/6JP	5.500	11.000	12.500				32.525																	35.916	6312 C3
364/5JP	5.875	11.000		15.562			35.916					1.624	1.750	2.125	0.375	1.413									
404/5JP	6.625	11.000					38.911																	6314 C3	6314 C3