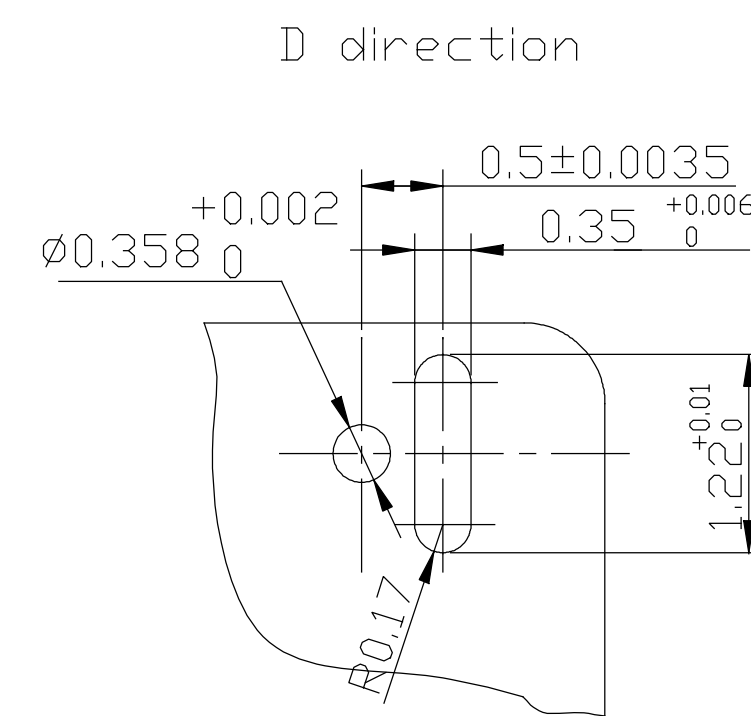
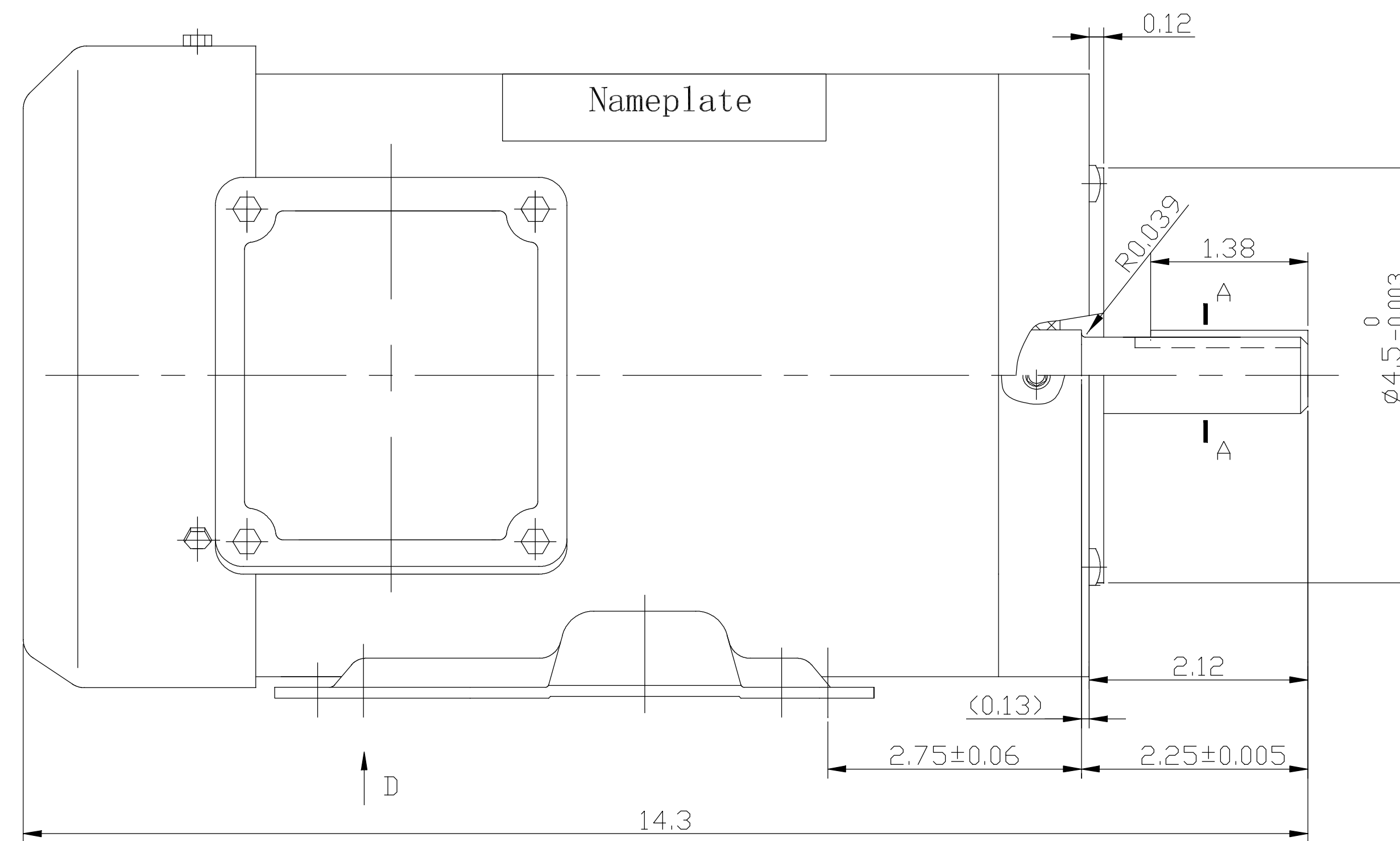
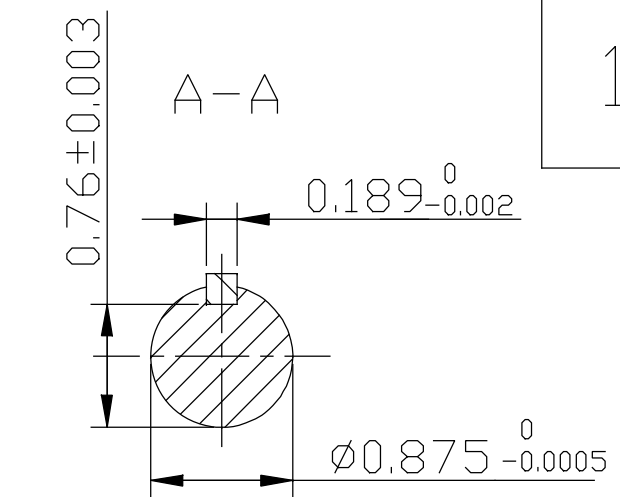
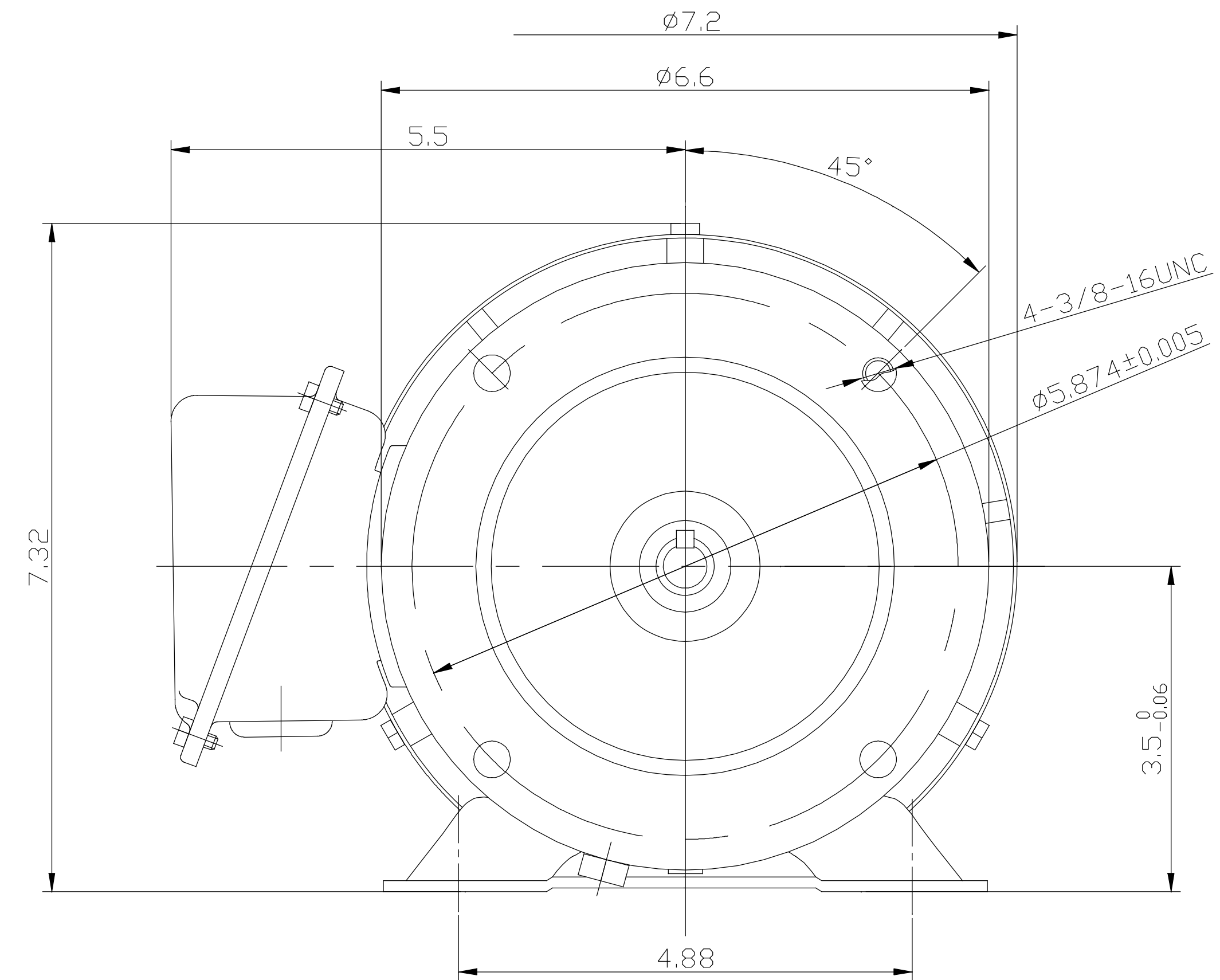


145TTWD6030



D direction

UL MODEL NO.	HP	VOLTS	Hz	PH	RPM	thermal protector	IP
145TTWD6030	3,2	208-230/460,190/380	60,50	3	3470,2900	NONE	55

				TOLERANCES UNLESS SPECIFIED			DRAWN KB 10/23/18	
				DEC.	INCHES		CHK	
				.X	±.1		APPD	
				.XX	±.01		SCALE 5=8	
				.XXX	±.005		REF	
01	NEW DRAWING	KB 09/14/18	JD	.XXXX	±.0005		FMF	
ND.	REVISION	BY & DATE	CHK	ANG	±1/2°		PREV	
THIS DRAWING IN DESIGN AND DETAIL IS OUR PROPERTY AND MUST NOT BE USED EXCEPT IN CONNECTION WITH OUR WORK ALL RIGHTS OF DESIGN AND INVENTION ARE RESERVED THIS IS AN ELECTRONICALLY GENERATED DOCUMENT - DO NOT SCALE THIS PRINT				RFP	CAD FILE	145TTWD6030	SIZE	DRAWING NO.
				DIST			A	145TTWD6030
							REV.	A

REGAL™ Regal Beloit America, Inc.

TITLE
 OUTLINE
 145TC FRAME - TEFC