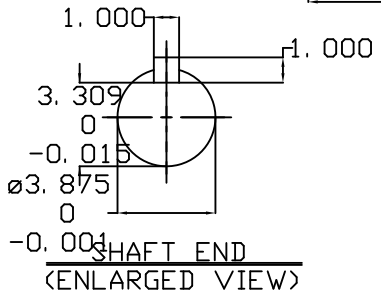
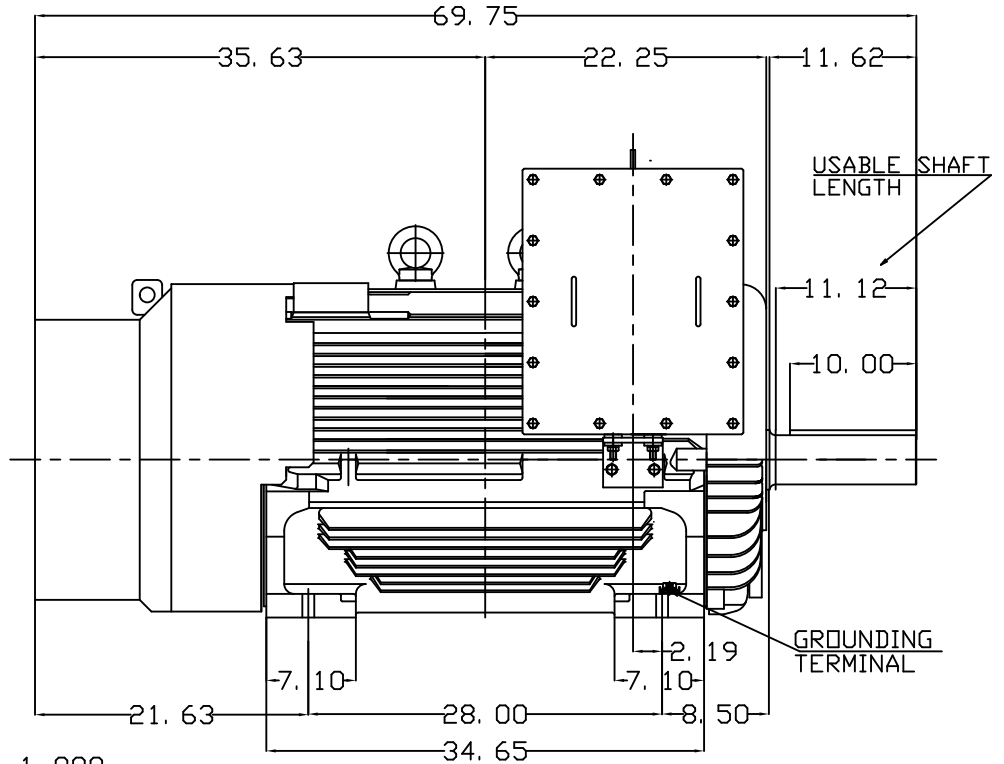
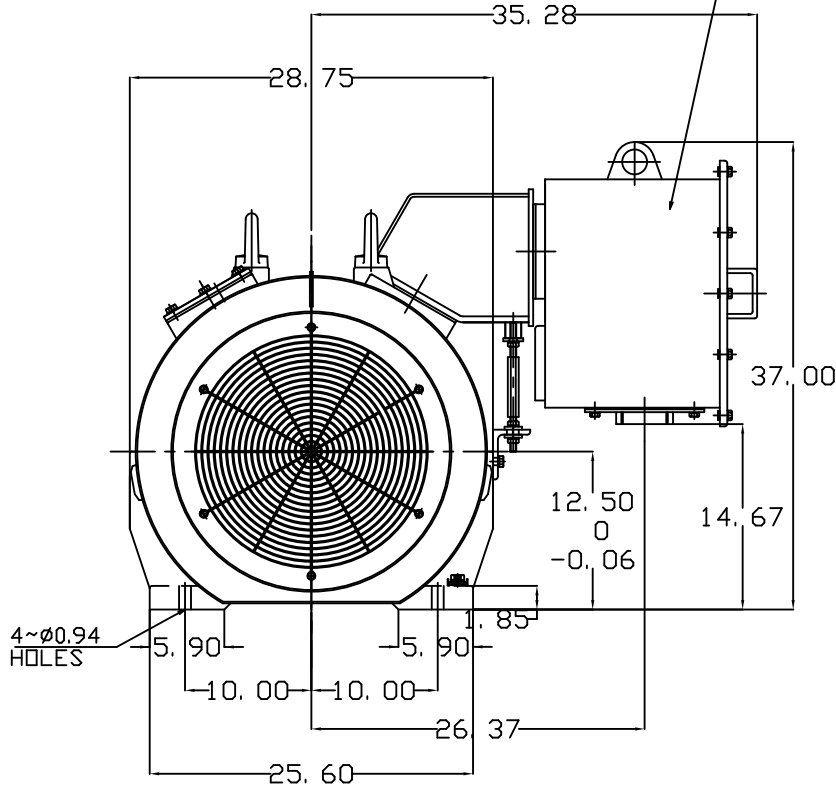


TYPE	OUTPUT		POLE	TIME RATING	VOLTAGE V	Hz	SYN.SPEED R.P.M
	HP.	KW.					
AEHE	300	224	8	CONT.	460	60	900

TOTALLY ENCLOSED FAN-COOLED TYPE, SQUIRREL-CAGE ROTOR

PRIMARY T-BOX
(NPT4")



NOTE:

- DIMENSIONS IN inch
- FRAME NO. 5009C
- F CLASS INSULATION, S.F.1.15
- FOR BELT DRIVE APPLICATION
- ENCLOSURE: IP55
- BEARING SIZE: DRIVE-END NU324
OPP. DRIVE-END 6320
- MOTOR APPROX. WEIGHT: 4200 lb

DATE	OUTLINE DIMENSIONS
CATALOG # E3008R	3-PHASE INDUCTION MOTOR
DWN. Y.DU MAR-19-2014	DWG NO. REV:00
CHKD. W.CHENG MAR-28-2014	4A040Y991
APPD. C.SHIH MAR-28-2014	

