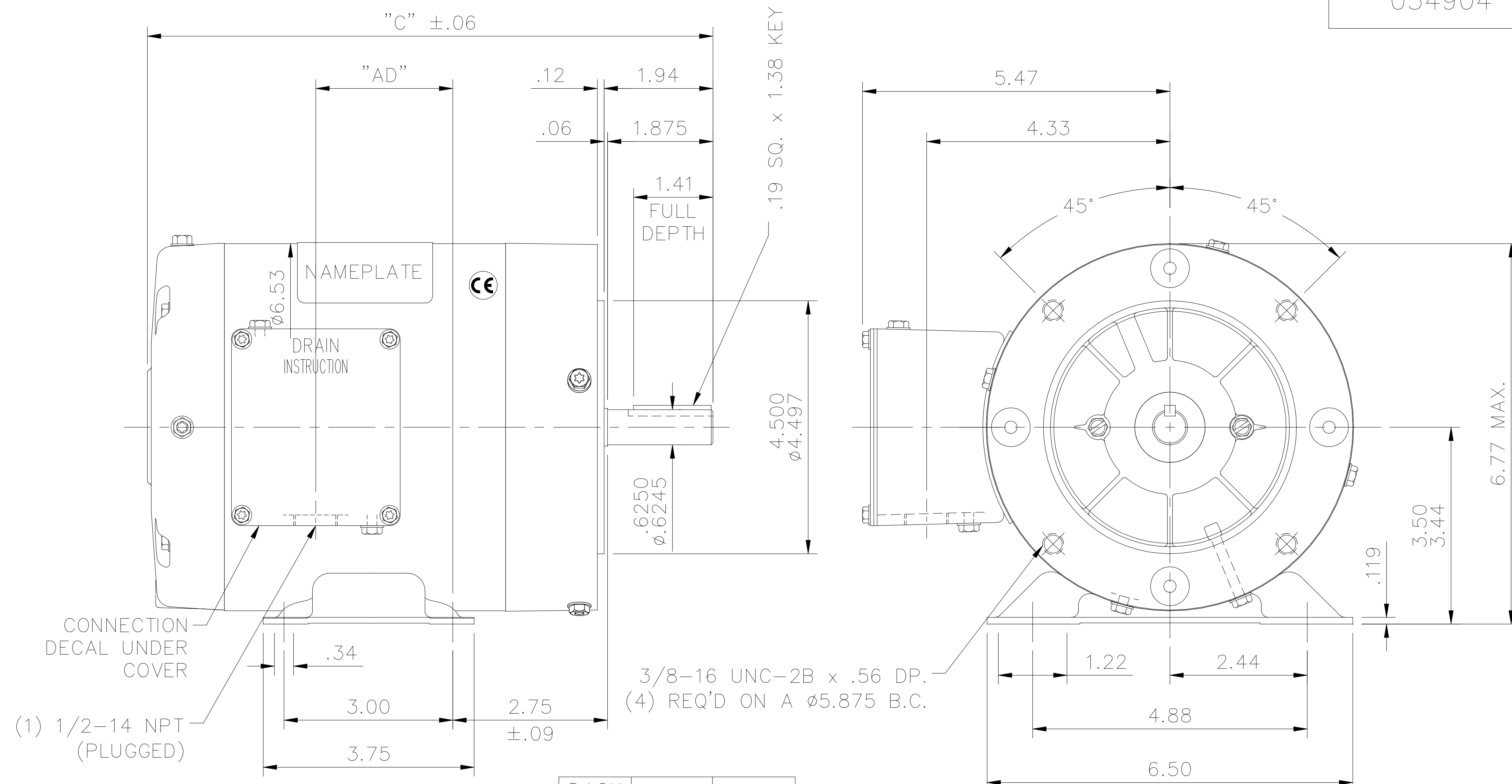


034904



MAXIMUM FACE RUNOUT .004 T.I.R.
 MAXIMUM PILOT ECCENTRICITY .004 T.I.R.
 PERMISSIBLE SHAFT RUNOUT .002 T.I.R.

| DASH NO. | "C" | "AD" |
|----------|-------|------|
| 500 | 10.08 | 2.44 |
| 550 | 10.58 | 2.94 |
| 600 | 11.08 | 3.44 |
| 650 | 11.58 | 3.94 |

- SPECIAL FEATURES:**
- 1) SHAFT SEAL & V-RING
 - 2) DRAIN HOLES IN ENDBELLS & CONDUIT BOX
 - 3) STAINLESS STEEL SHAFT, HARDWARE, & NAMEPLATE
 - 4) GASKETS THROUGHOUT

ORACLE REV
05

| | | | | | | | |
|--|------------------------------------|-------------|-----------------------------|--------|--------------------|--------------------|--------|
| | | | TOLERANCES UNLESS SPECIFIED | | | DRAWN KMM 10/29/01 | |
| | | | DEC. | INCHES | | CHK | |
| | | | .X | ±.1 | | APPD RDW 10/29/01 | |
| | | | .XX | ±.03 | | SCALE 3=8 | |
| | | | .XXX | ±.005 | | REF 033694 | |
| F | ADDED DRAIN SCREWS PER ECO-0125132 | ARV 6/12/17 | SK | .XXXX | ±.0005 | MAT'L. | |
| NO. | REVISION | BY & DATE | CHK | ANG | ±1/2" | FINISH STOCK | |
| THIS DRAWING IN DESIGN AND DETAIL IS OUR PROPERTY AND MUST NOT BE USED EXCEPT IN CONNECTION WITH OUR WORK ALL RIGHTS OF DESIGN AND INVENTION ARE RESERVED THIS IS AN ELECTRONICALLY GENERATED DOCUMENT - DO NOT SCALE THIS PRINT | | | | RFP | CAD FILE 034904 | | SIZE A |
| | | | | DIST | DRAWING NO. 034904 | | REV. F |