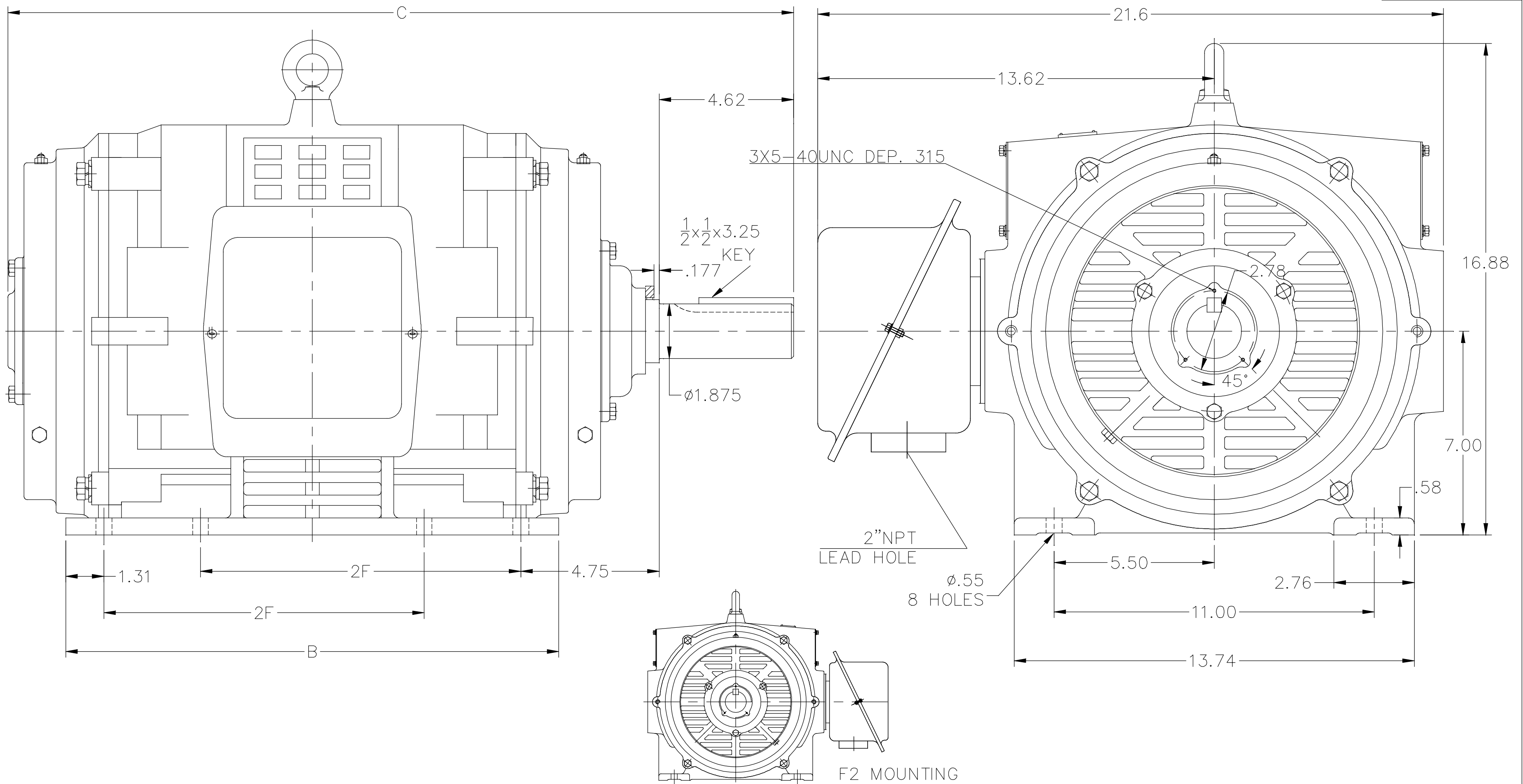


SS620238



284T	25.71	15.55	9.5
286T	27.09	16.93	11
FRAME	C	B	2F

		TOLERANCES UNLESS SPECIFIED		REGAL-BELOIT CORPORATION		DRAWN ZYH 09-26-2014	
		DEC.	INCHES			CHK	
		.X	±.1			APPD	
		.XX	±.03	TITLE OUTLINE		SCALE 5=18	
		.XXX	±.005	284/286T FR. - ODP - CAST IRON		REF	
D	ADDED F2 MTG VIEW AND DIM CHART	ECO-0138518	WGJ 01-26-2018	EMH	.XXX	±.0005	MAT'L.
NO.	REVISION	BY & DATE	CHK	ANG	±'30"	FINISH	PREV
THIS DRAWING IN DESIGN AND DETAIL IS OUR PROPERTY AND MUST NOT BE USED EXCEPT IN CONNECTION WITH OUR WORK ALL RIGHTS OF DESIGN AND INVENTION ARE RESERVED THIS IS AN ELECTRONICALLY GENERATED DOCUMENT - DO NOT SCALE THIS PRINT				RFP	CAD FILE SS620238		SIZE
				DIST			DRAWING NO. PAGE OF REV.
						B	SS620238 D