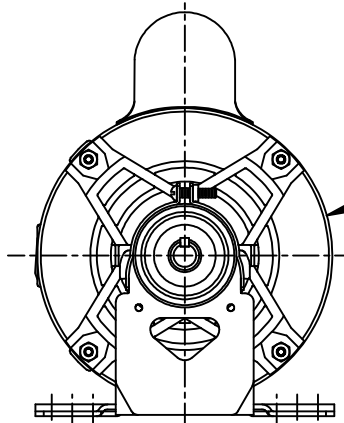
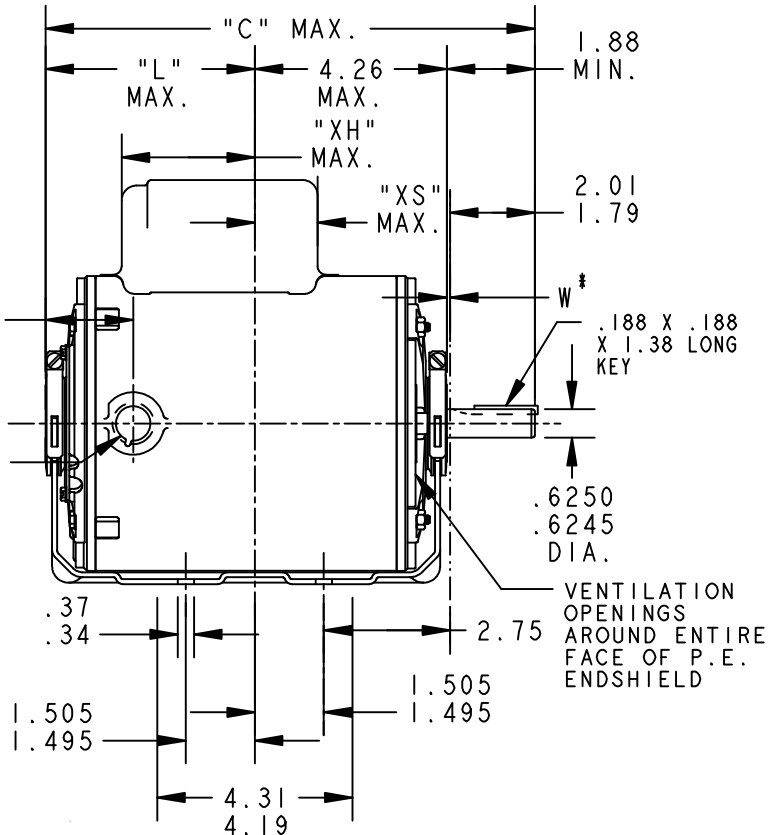
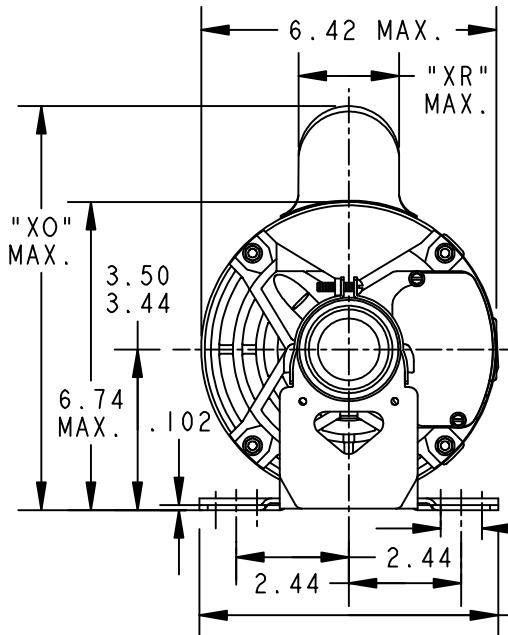


SHEET REV 52A107799 5	THIRD ANGLE PROJECTION	REVISIONS		
		REV. 5	DESCRIPTION CHG TO RBC FORMAT PER IS05-1777	DATE 03/03/06



VIEW OF P.E. END SHIELD

*W IS A VARIABLE CLEARANCE DUE TO VARIATIONS IN PARTS AND ASSEMBLY

CONTINUATION OF 52A107622

ALL DIMENSIONS ARE IN INCHES

5	KC	49	56	10.48	4.22	2.92	8.94	2.40	2.91	6.15
4	KC	49	56	12.01	5.75	3.58	8.22	1.60	2.17	7.68
3	KC	46	56	10.88	4.62	2.92	8.94	2.40	2.82	6.55
2	KC	48	56	12.76	6.50	3.72	8.94	2.40	3.49	8.43
1	KC	49	56	12.01	5.75	4.16	8.22	1.60	1.59	7.68
P	TYPE	GE SIZE	NEMA FR.	"C"	"L"	"XH"	"XO"	"XR"	"XS"	MIN. SHELL

FOR ADDITIONAL INFO REFER TO: APPLIED PRACTICES DIMENSIONS ARE IN INCHES MATERIAL	SIGNATURES		DATE
	MODEL	M.D.PAPE	05/28/92
	DETAIL	.	.
	CHECKED	.	.
	ENGRG	.	.
	MFG	.	.
QUALITY	.	.	
ISSUED	M.D.PAPE	09/30/99	
SOLID MODEL: 52A107799			

REGAL-BELOIT CORPORATION

TITLE: **OUTLINE**
GENERAL PURPOSE MOTOR DRIP PROOF - BALL BEARING - RESILIENT BASE FMF - 40 FRAME REDESIGN (5KC49SN0151X)

SIZE DRAWING: **A** **52A107799** REV **5**

SCALE: 0.250 REF. No: . SHEET 1 of 1