

Product Information Packet

November 8, 2016

Data shown is for the current revision model #. Ensure your nameplate model # matches.

Model Number:	5KS145SAA224D
Catalog Number:	M499
Instruction Manual:	GEI-56128
Connection Diagram:	GEM2034E-FIG3
Outline Drawing:	4002B5814PBP5316

Accessory Connection Diagrams			
Bearing Thermocouple:	None	Heater:	None
RTD:	None	Thermistor:	None
Thermostat:	None	Winding Thermocouple:	None
Bearing RTD:	None		

Table of Contents

Specification	01
Performance Characteristics	02
Outline Drawing	03
Connection Drawing(s)	04
Spare parts	05



Marks:

MODEL NUMBER:	5KS145SAA224D	Estimated Weight:	50 Lbs
Outline Drawing:	4002B5814PBP5316	Time Rating:	CONT
Connection Diagram:	GEM2034E-FIG3	Enclosure:	TEFC
Instruction Book:	GEI-56128	Encl Construction:	X\$D
Design Code:	14BD1068AA	Ambient Max(°C):	40
Type:	KS	Alt Ambient Max(°C):	65
Frame:	145TC	Insulation Class:	H
Phases:	3	NEMA Design:	B
Poles:	4	Nominal Efficiency:	86.5 %
Output Power:	1.5HP 1.1KW	Guaranteed Efficiency:	85.5
RPM:	1745	3/4 Load Efficiency:	86.3
Voltage:	230/460	KVA Code:	M
Hertz:	60	Max KVAR:	0.9
Amps - FL:	4.4/2.2	Power Factor:	74.0
Service Factor:	1.25	Bearing - DE:	6206ZC3
Alt Service Factor:	1.00	Bearing - ODE:	6205ZC3

Enclosure is Totally Enclosed Fan-Cooled

Stamped Nameplate Notes:

SF AMPS 5.1/2.6
 STAMP NP249A5564P051 AS BELOW:
 MODEL:5KS145SAA224D S/N: XXX
 CSA CERTIFIED CSA09.2216219 FOR EX NA IIC 200C GC
 CL 1 ZONE2 AEX NA IIC 200C;CL 1 DIV2 GRP ABCD 200C
 IN -25C <= AMB <= 40C, 1.0 SF ON SINE-WAVE PWR
 SURF TEMP 200C AT 1.25SF ON SINE-WAVE PWR
 OR 200 C VT OR 200 C CT OR 200 C CHP PWM CONTROL
 ALTERNATE RATING FOR PWM CONTROL 1.0SF 40C AMB
 VT 0-60 HZ, CT 3-60 HZ , CHP 60-90 HZ.

Additional Information:

4P - T EXTN
 STANDARD FLOOR MOUNT
 C/BOX 30 CU IN-0.75 NPT
 F1 CONDUIT BOX MOUNTING
 "C" FACE AT DE ENDSHIELD
 INPRO SEAL DE ONLY
 OIL RESISTANT SLEEVING ON LEADS

Performance Characteristics

1st Winding 1st Connection

Design: 14BD1068AA

Marks:

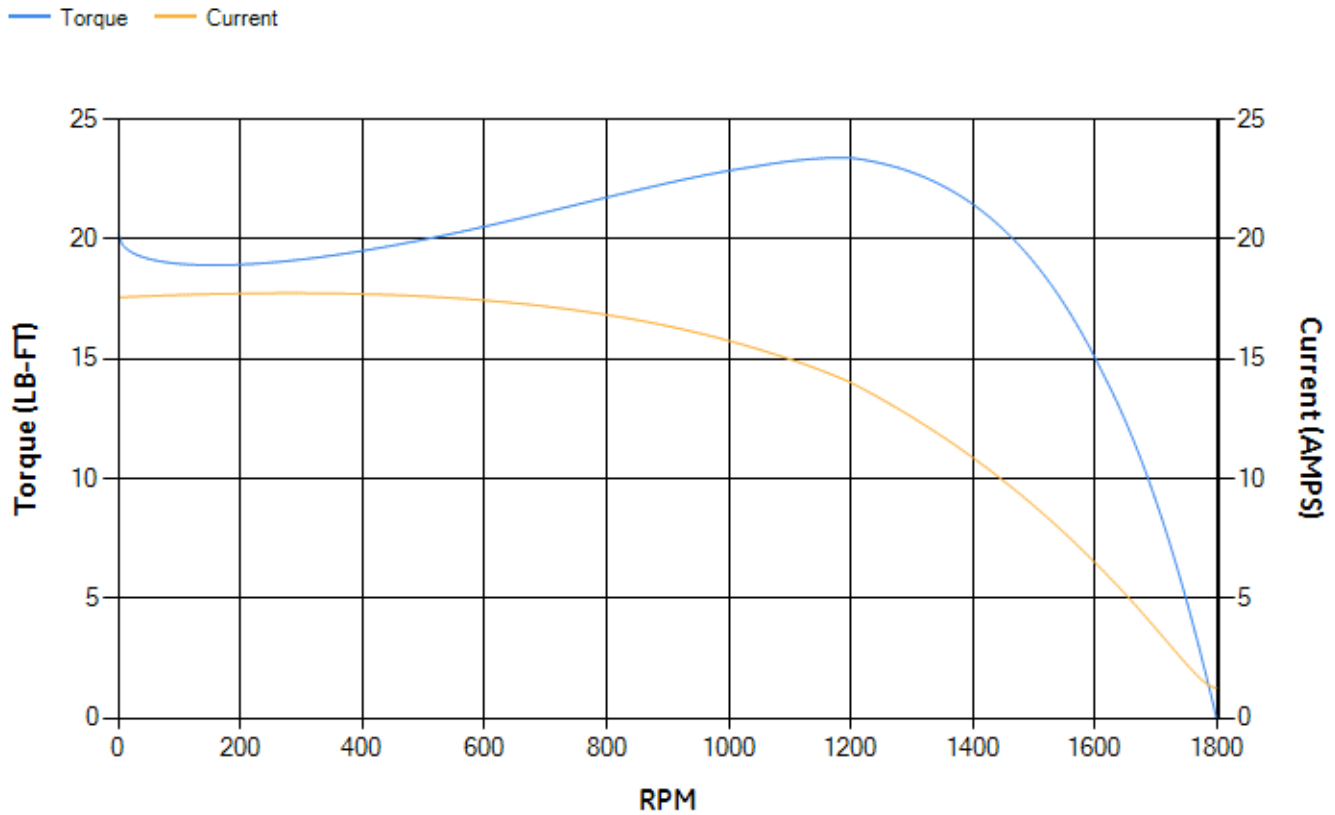
LOAD %	125.0	115.0	100.0	75.0	50.0	25.0	0.0
% EFF	85.73	86.09	86.65	86.3	84.32	76.36	0.00
% PF	79.59	77.65	75.64	65.38	52.02	32.47	7.47
AMPS	2.57	2.42	2.13	1.87	1.6	1.42	1.25

TORQ(FL)#FT	4.51	TORQ(LR)%FL	448.02	TORQ(BD)%FL	500.53
AMPS(LR)	17.57	PF AT START	0.68		

This motor is capable of two cold or one hot start with a maximum connected load inertia of 97 Lb-Ft Sq (4.08 Kg-meter Sq) at 100% voltage, where the load torque varies with the square of the speed. Acceleration time with maximum inertia and the above load type is 30 seconds. Safe stall time at 100% voltage is 67 seconds cold, 51 seconds hot. Rotor inertia is 0.1 Lb-Ft Sq (0 Kg-meter Sq).

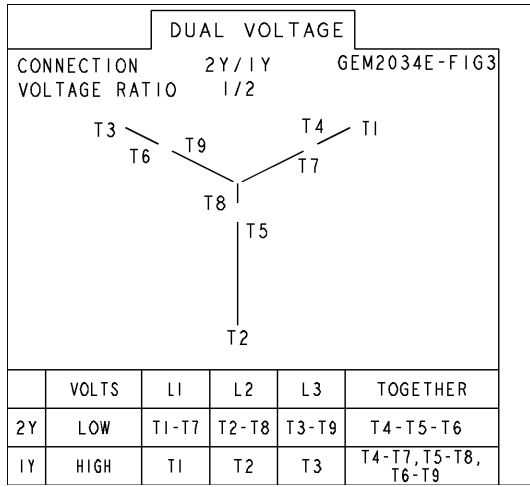
Open Circuit A-C:	0.127	Short Circuit D-C:	0.005
Short Circuit A-C:	0.005	X/R Ratio:	1.771
Stator Slots:	36	Rotor Slots:	48

Speed Torque Current Curve (First Connection, First Speed)



Marks:

Connection Diagram
GEM2034E-FIG3



End shield Assembly		
Part Description	DE Side Part#	ODE Side Part#
End Shield	4004D5289PB1	4004D5280SG1
Bearing	235A2602AA01	235A2600AA01
Slinger/Inproseal	4002B5914AM1	149C4399G15

Fan & Fan Cover Assembly	
Part Description	Part#
Fan	4001A5914AM-G01
Fan Cover	4003C5785PA1

Conduit & Accessories Box Assembly	
Part Description	Part#
Conduit Box	4002B5718PA-G01

Mechanical Accessories	
Part Description	Part#
Brake	
Tachometer	