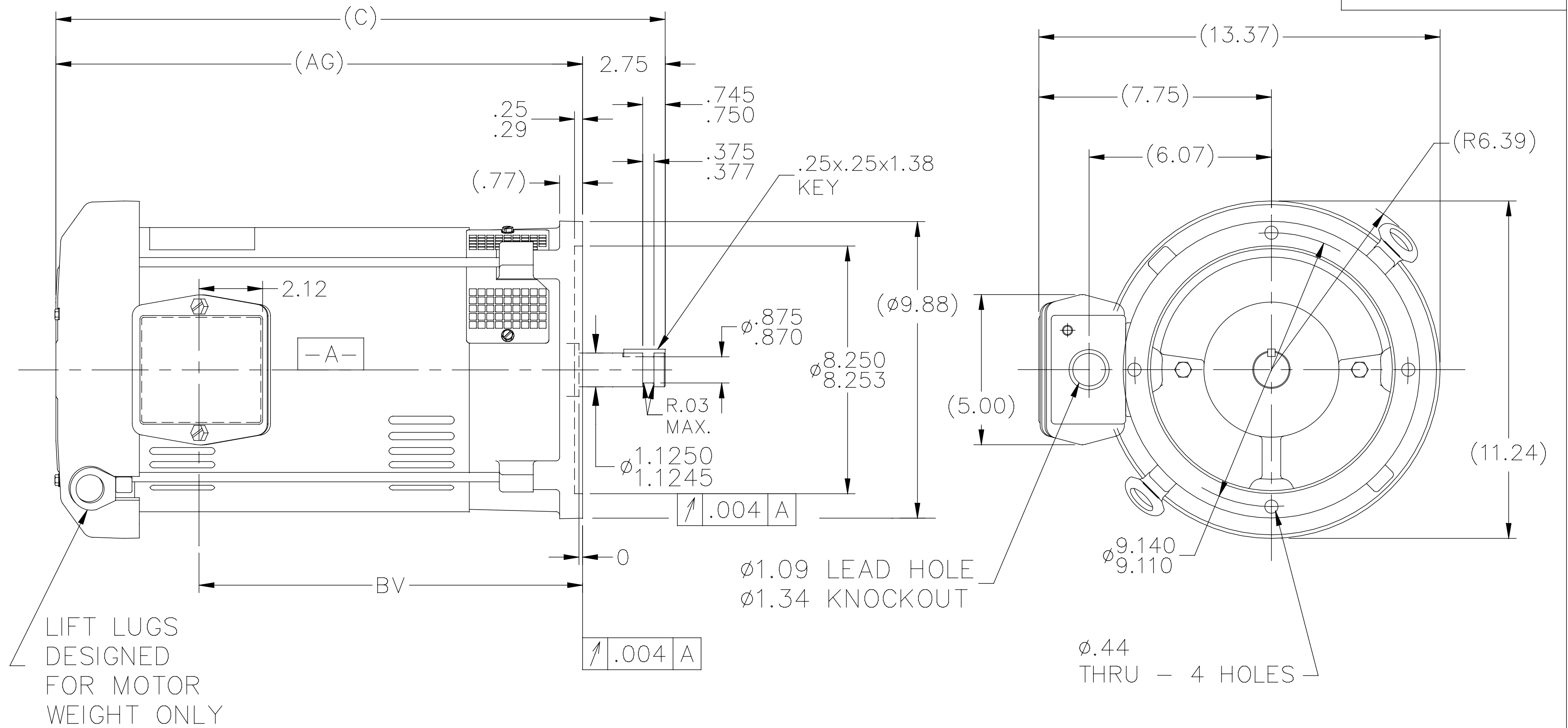



SS86651



DASH	FR.	C	AG	BV	
965	213HP	18.80	16.05	11.28	
1115	213/15HP	20.30	17.55	12.78	
1240	213/15HP	21.55	18.80	14.03	

- NOTES:
 1. NAMEPLATE TO BE READ FROM SHAFT EXT. END OF MOTOR.
 2. BOX CAN BE MOUNTED IN 90° STEPS.

NO.		REVISION	BY & DATE	CHK	ANG	TOLERANCES UNLESS SPECIFIED	 Regal Beloit America, Inc.	DRAWN PGK 06-10-1997				
						DEC. INCHES		CHK	ML	DR	SCALE	
5		REGAL LOGO ADDED.	SYED 10/09/2015					APPD	DR	06-24-1997		
4		UPDATED DRAWING	TJW 04/30/2007		.X	±.1		SCALE		1=5		
3		REDRAWN IN AUTOCAD	TAT 07-22-2004	ML	.XX	±.03	TITLE	OUTLINE - P' BASE				
2		UPDATED C'BOX GEOMETRY	DRS 01-12-2000		.XXX	±.005		210HP FR. - DR.PR.				
1		NEW DRAWING	PGK 07-07-1997		.XXXX	±.0005	MAT'L.	REF				
						±7'30"	FINISH	PREV				
THIS DRAWING IN DESIGN AND DETAIL IS OUR PROPERTY AND MUST NOT BE USED EXCEPT IN CONNECTION WITH OUR WORK ALL RIGHTS OF DESIGN AND INVENTION ARE RESERVED THIS IS AN ELECTRONICALLY GENERATED DOCUMENT - DO NOT SCALE THIS PRINT				RFP	CAD FILE ss86651			SIZE	DRAWING NO.	PAGE	OF	REV.
				DIST	LB		A	SS86651				5