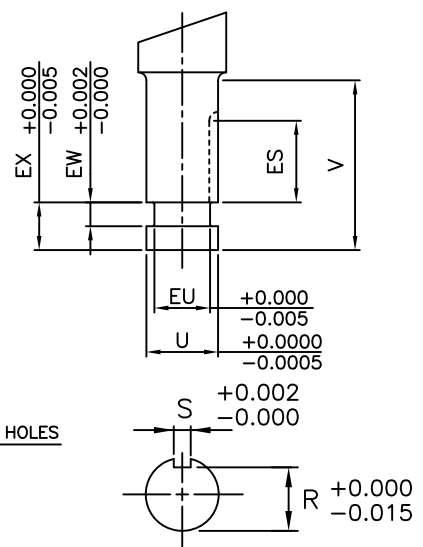
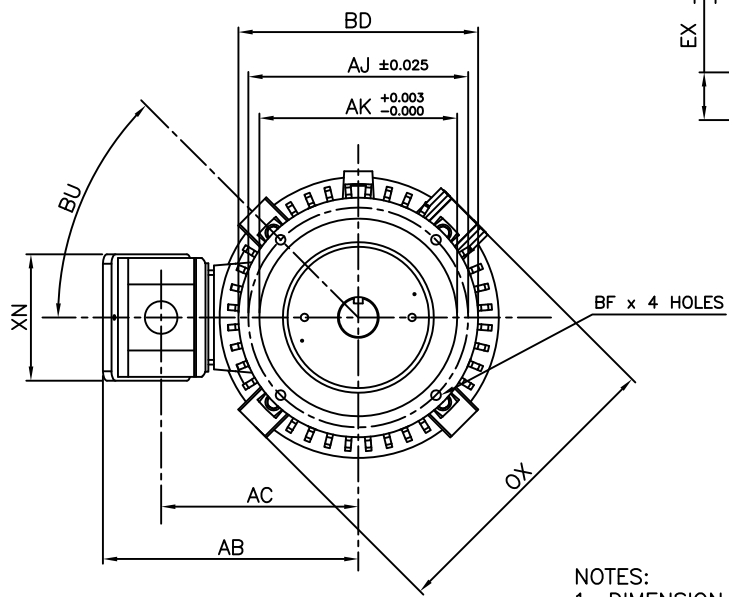


NOTE:
LIFTING EYEBOLTS
(2) 180° APART
FOR MOTOR
LIFTING ONLY



UNITS: INCHES

FRAME SIZE	MOTOR DIMENSIONS					P-FLANGE DIMENSIONS							CONDUIT BOX DIMENSIONS					
	AG	C	P	OX	BU	BB	BE	BF	BD	BV	AK	AJ	AA[NPT]	AB	AC	AF	XL	XN
210HP10/LP10	26.9	29.7	11.8	12.6	45°	0.25	0.91	0.44	10.0	9.3	8.25	9.125	1.00	10.7	8.3	4.0	7.4	5.3

FRAME SIZE	SHAFT EXTENSION DIMENSIONS									BEARINGS		MAXIMUM WEIGHT
	AH	EU	U	V	R	S	ES	EW	EX	LS	OS	
210HP10	2.75	0.875	1.125	2.75	0.986	0.25	1.28	0.375	0.75	6309C3	6308C3	250 lbs.
210LP10	2.75	1.250	1.625	2.75	1.416	0.38	1.28	0.375	0.75	6309C3	7308BEGAM x 2	

- NOTES:
- DIMENSION V REPRESENTS LENGTH OF STRAIGHT PART OF SHAFT
 - MAIN CONDUIT BOX MAY BE ROTATED IN 90° INCREMENTS
 - KEY DIMENSIONS EQUAL S x S x ES (MOTOR SUPPLIED WITH KEY)
 - MOTOR WEIGHT SHOWN IS MAXIMUM HORSEPOWER IN FRAME
 - STANDARD PRODUCT USE BI-DIRECTIONAL FAN. OPPOSITE ROTATION AVAILABLE ONLY BY CONNECTION CHANGE

CUSTOMER: _____ MOTOR MODEL NO.: _____
 P.O. NO.: _____ HP: _____ VOLTAGE: _____ RPM(SYN.): _____ Hz: _____
 FRAME SIZE: _____ PRODUCT TYPE: VERTICAL SOLID SHAFT ROUND BODY P-FLANGE
 COMMENTS: _____

 PER: _____ DATE: _____

TAG NO's.:
 .
 .
 .
 .
 .
 .
 .

STANDARD (NO AUX. BOXES)
 RTD AUX. BOX
 SPACE HEATER AUX. BOX
 BEARING RTD's

TOSHIBA RESERVES THE RIGHT TO MAKE CHANGES OF TECHNICAL IMPROVEMENT AND THE DATA MAY CHANGE WITHOUT NOTICE PRELIMINARY
 DO NOT USE FOR CONSTRUCTION, INSTALLATION, OR APPLICATION PURPOSES UNLESS THE DRAWING IS MARKED AS CERTIFIED CERTIFIED

TOSHIBA
 TOSHIBA INTERNATIONAL CORPORATION

TOTALLY-ENCLOSED FAN-COOLED
 VERTICAL SOLID SHAFT ROUND BODY P-FLANGE
 3 PHASE INDUCTION MOTOR
 F1 ASSEMBLY

XT SERIES
 VISIT OUR WEBSITE AT:
 www.toshiba.com/ind