

DASH	FR.	C	A
350	48Y	9.00	4.00
375	48Y	9.25	4.25
400	48Y	9.50	4.50
425	48Y	9.75	4.75

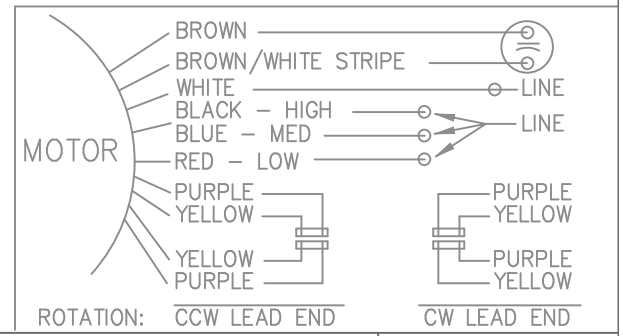
LEAD DESCRIPTION:

1 WHITE, 1 BLACK, 1 BLUE, & 1 RED, LEAD WITH .50 BARE WIRE STRIP. 30.00" LONG

2 BROWN LEADS WITH .25 FLAG-TYPE QUICK CONNECTS 30.00" LONG. BROWN/ WHITE MARKED LEAD IS COMMON TO WHITE.

REVERSING LEADS ARE MOLDED INTO MATING PULL-APART PLUGS. 1 YELLOW & 1 PURPLE LEAD PER PLUG. 5.00" LONG.

GREEN GROUND LEAD WITH TERM. FOR #10 SCREW 12.00" LONG.



				TOLERANCES UNLESS SPECIFIED		 MARATHON ELECTRIC	DRAWN NB 09-20-2008						
				DEC.	INCHES		CHK SP 09-20-2008						
				.X	±.1		APPD NB 09-20-2008						
				.XX	±.03		SCALE 3=8						
				.XXX	±.005		REF SS73964						
				.XXX	±.005	TITLE OUTLINE 48Y-BB							
				.XXXX	±.0005	MAT'L.							
NO.	REVISION	BY & DATE	CHK	ANG	±7'30"	FINISH							
				RFP	09-20-2008	CAD FILE	SS403777	SIZE	DRAWING NO.	PAGE	OF	REV.	
				DIST	WP			A	SS403777				