

DATE
FEBRUARY 23, 2007
CATALOG NO.
DHP0402

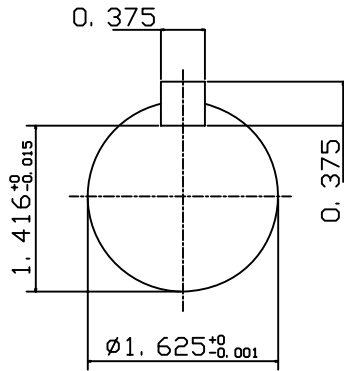
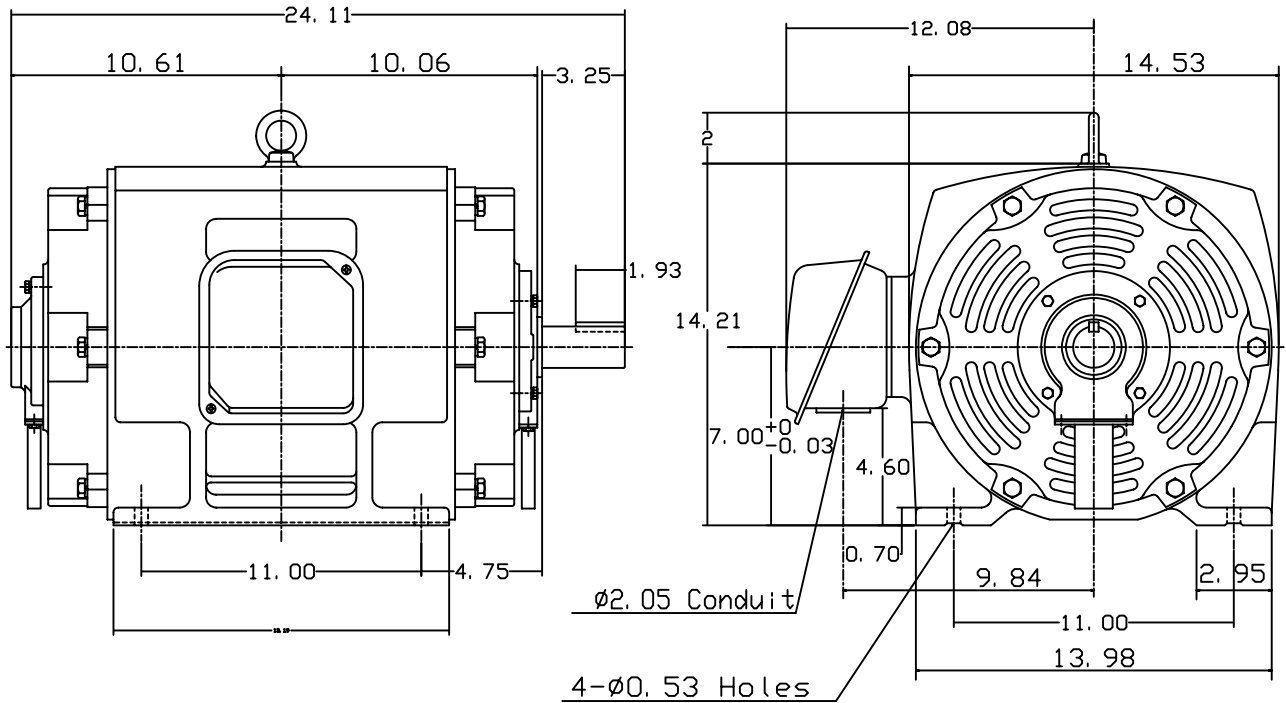
OUTLINE DIMENSIONS
3-PHASE INDUCTION MOTOR

MOTOR TYPE:
ASHH
FRAME NO. 286TS

Pole	HP	KW	Hz	VOLT	Syn. Speed RPM
2	40	30	60	230/460	3600

Ins	Rating	Dimension in	Approx Weight	Bearings
F	CONT.	inch	412 lbs.	DE: 6212C3 NDE: 6211C3

Open Protected Drip-Proof Type. Squirrel-cage Rotor.



◊		
---	--	--

DWN.	J. H. LIANG	12-22-98
CHKD.	C. H. KAO	06-10-99
APPD.	Y. B. HUANG	06-10-99



DWG NO.
31057H387000