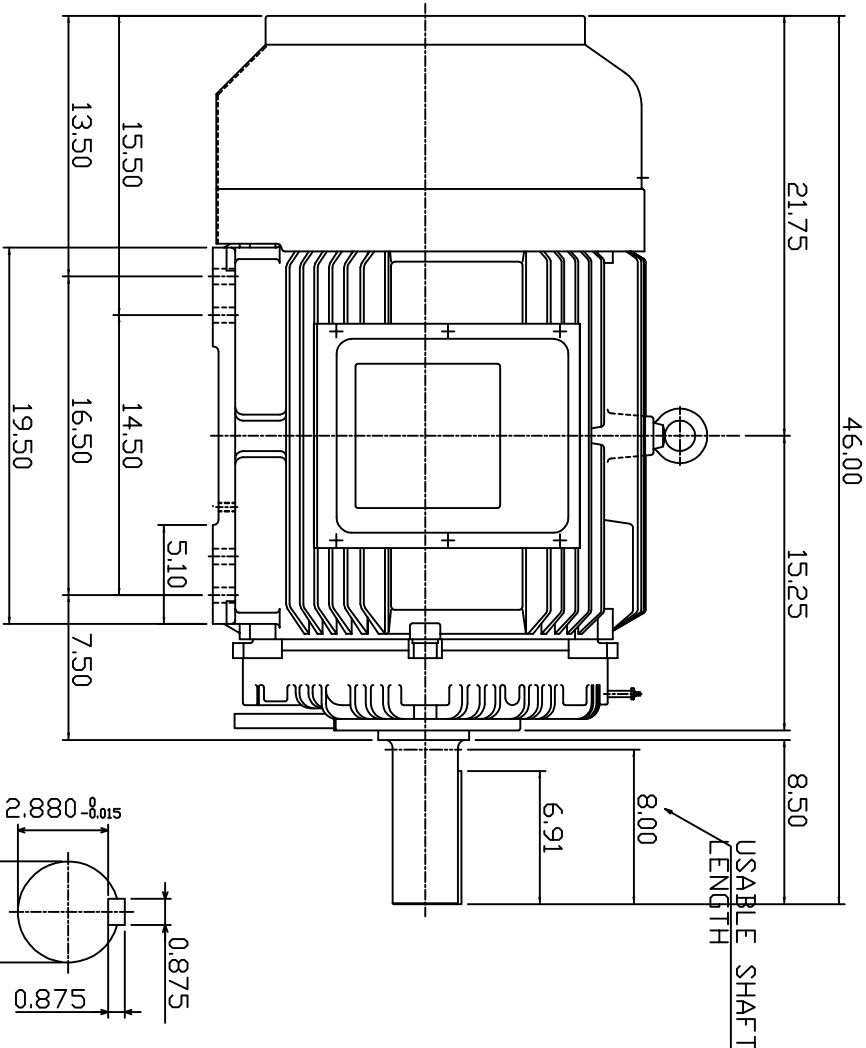
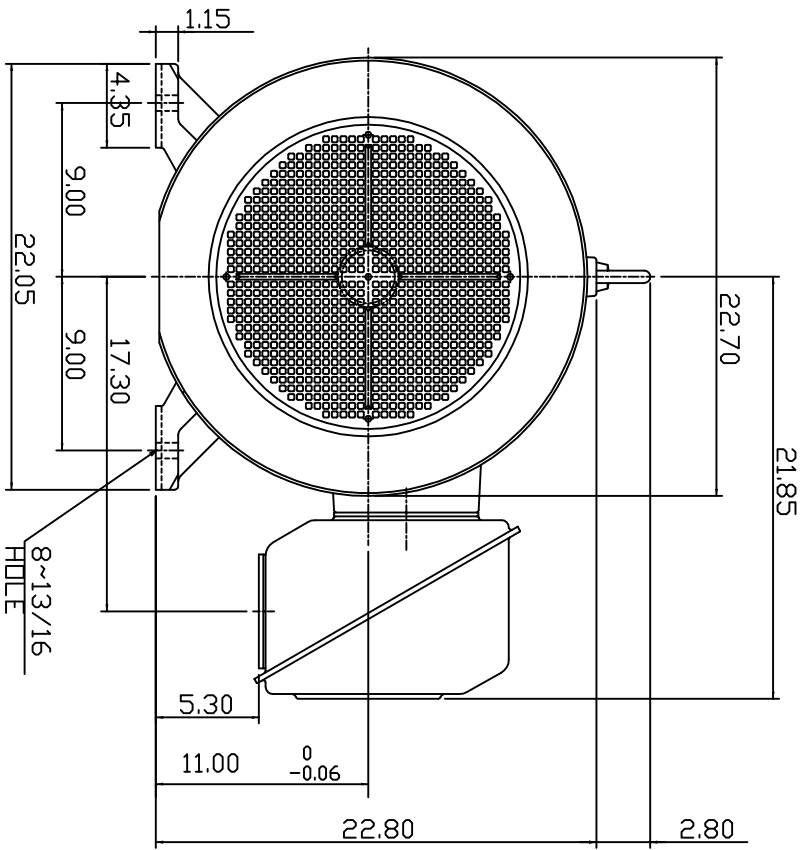


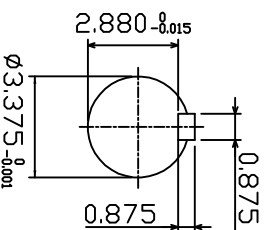
TYPE	OUTPUT		POLE	TIME RATING	VOLTAGE V	Hz	SYN SPEED RPM
	HP.	KW.					
AEHH8P	150	111.9	4	CONT.	460	60	1800

TOTALLY ENCLOSED FAN-COOLED TYPE, SQUIRREL-CAGE ROTOR



NOTE:  
 1. DIMENSIONS IN INCHES  
 2. FRAME SIZE 445T  
 3. F CLASS INSULATION, S.F. 1.15  
 4. FOR BELTED APPLICATION  
 5. BEARING NO.: DRIVE END: NU318C3  
 DPP, DRIVE END: 6316C3  
 6. ENCLDSURE: IP44  
 7. APPRDX. WEIGHT: 1700 LBS

SHAFT END  
 ENLARGED VIEW



DATE FEB. 11, 2011  
 CATALOG # NP1504R  
 DWN. SLEE JAN. 26 2011  
 CHKD. SLEE JAN. 26 2011  
 APPD. H.LIU JAN. 26 2011

OUTLINE DIMENSIONS  
 3-PHASE INDUCTION MOTOR

TECCO Westinghouse  
 DWG NO. 3A049DWB10464-26  
 REV: 00

6 5 4 3 2 1