

DATE
APRIL 26, 2011
CAT. #: NP0016C

OUTLINE DIMENSIONS

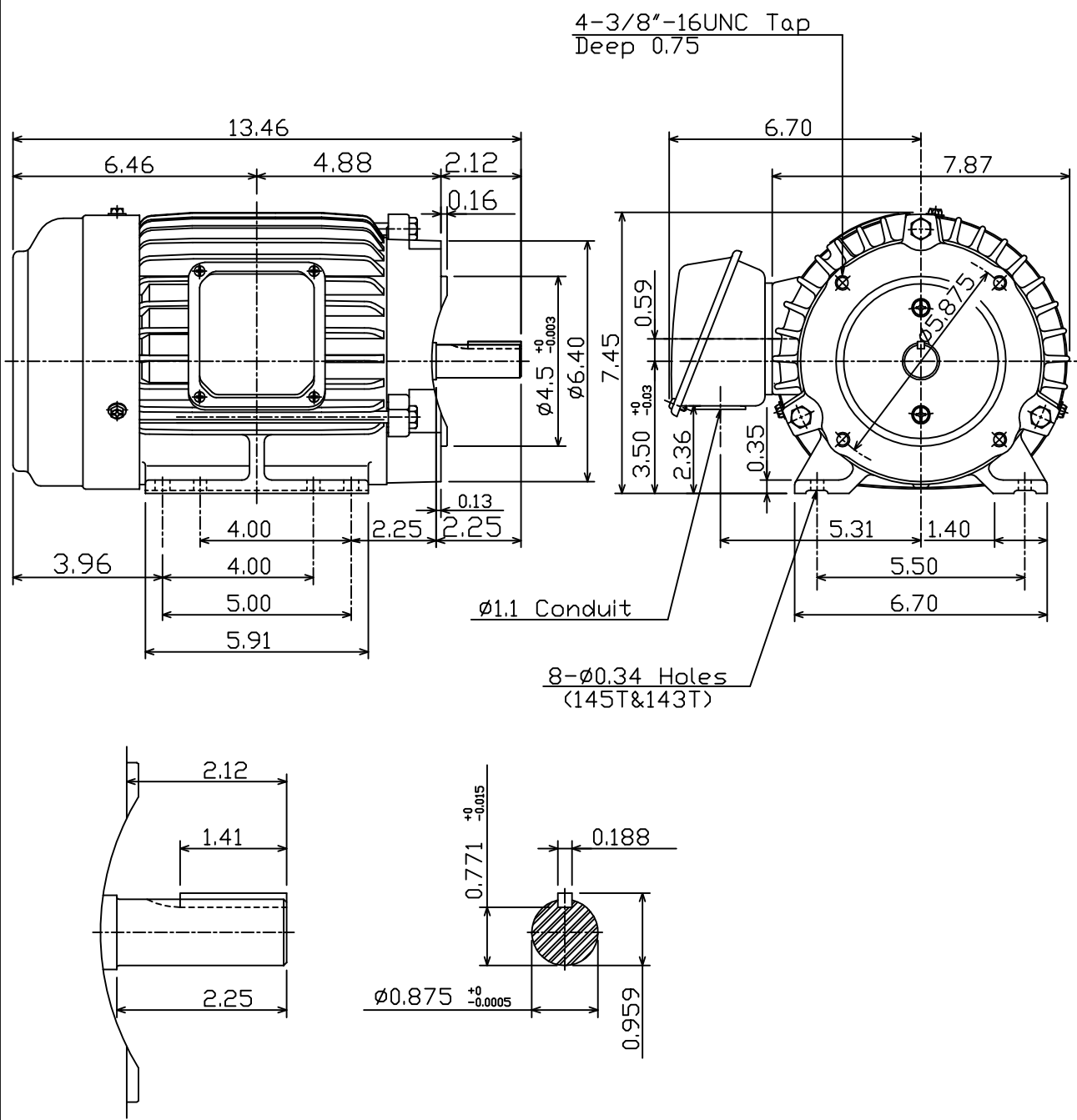
3-PHASE INDUCTION MOTOR

MOTOR TYPE:
AEHH8P-CF
FRAME NO. 145TC

| Pole | HP | kW | Hz | VOLT | Syn.Speed r/min(rpm) |
|------|----|------|----|---------|-------------------------|
| 6 | 1 | 0.75 | 60 | 230/460 | 1200 |

| Ins | Rating | Dimension in | Approx Weight | Bearings |
|-----|--------|--------------|---------------|------------------------|
| F | CONT. | inch | 56 lbs. | DE: 6205ZZ NDE: 6205ZZ |

Totally Enclosed Fan-Cooled Type. Squirrel-Cage Rotor.



| | | |
|-------|----------|----------|
| DWN. | C.S.LD | 12-21-04 |
| CHKD. | C.S.LD | 12-27-04 |
| APPD. | M.C.TSAI | 12-27-04 |



DWG NO.
31049D188480