

No reproduction of this drawing is allowed without written permission of WEG Motores

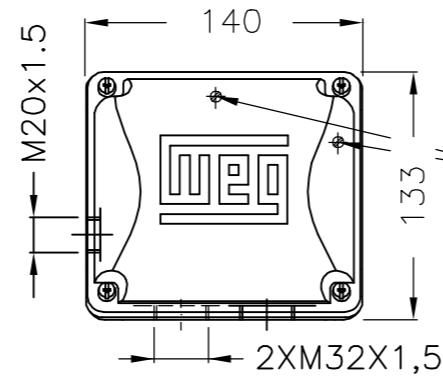
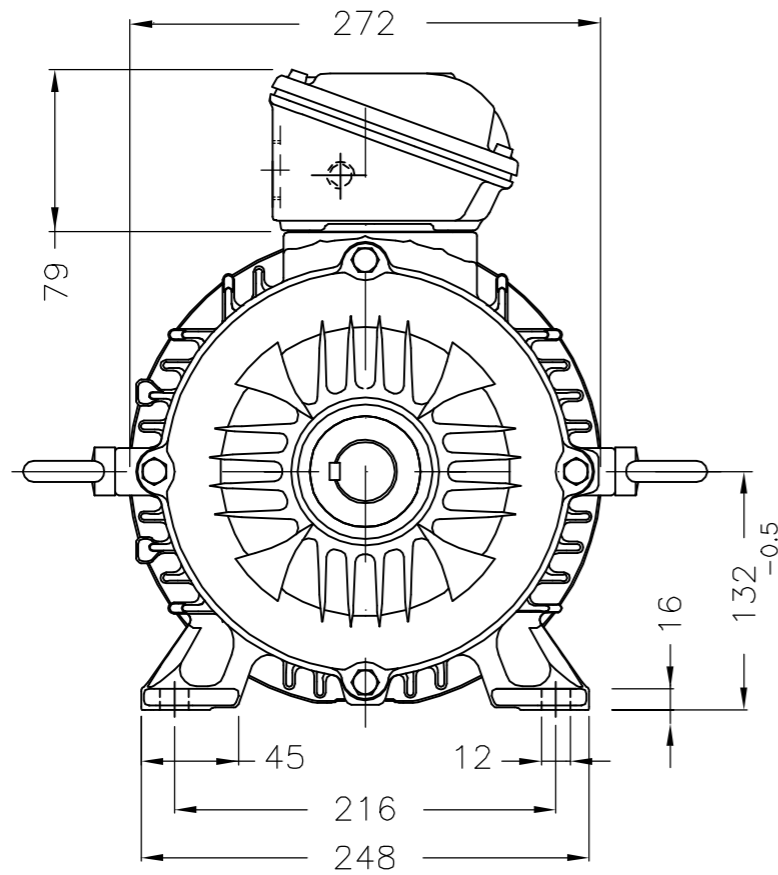
EIXO	
PADRÃO	X
OPCIONAL	
ESPECIAL	

Dimensões em mm
Dimensions in mm

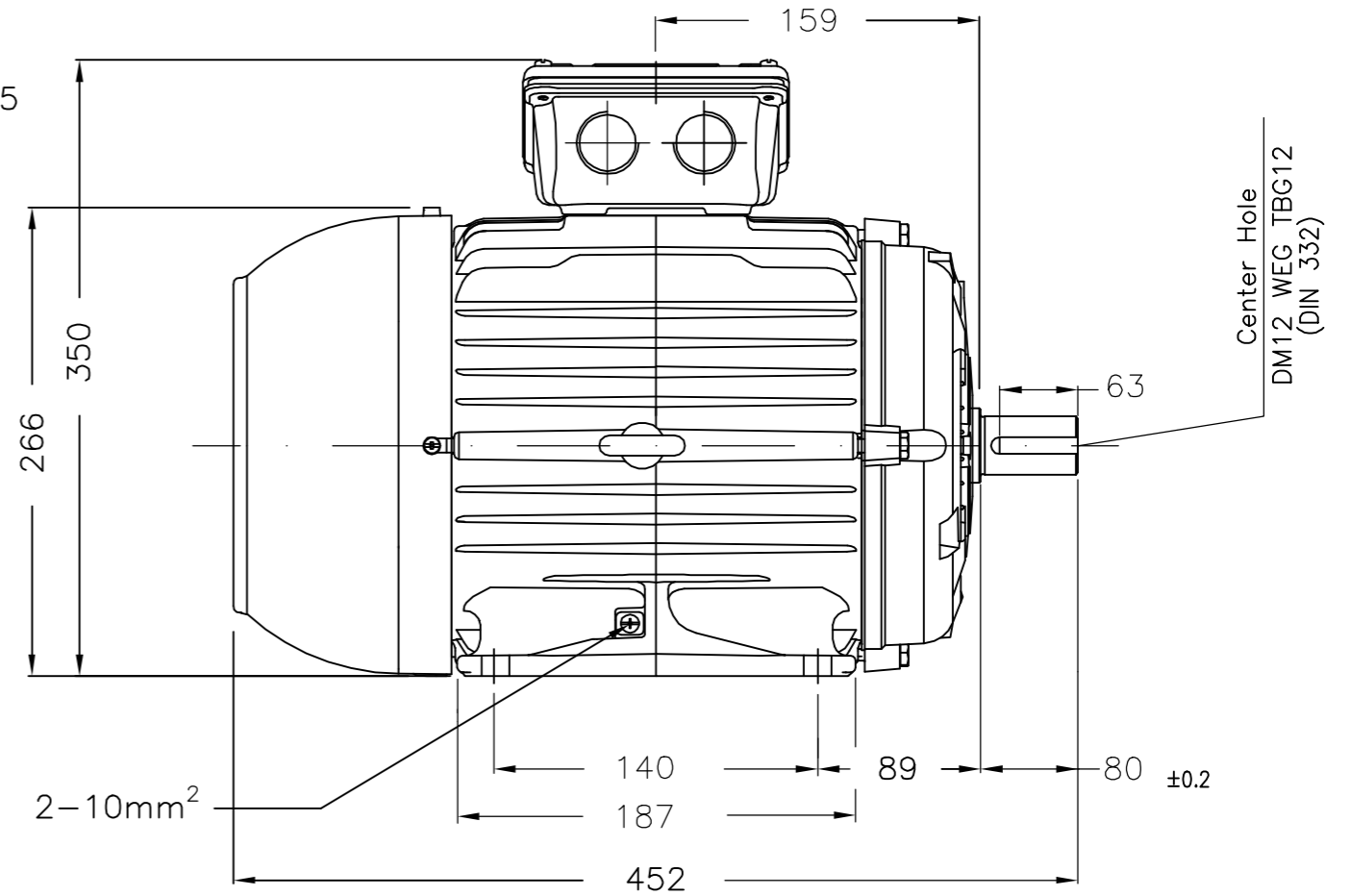
CERTIFIED WEG MOTORES

Certified document.
Not subject to changes.

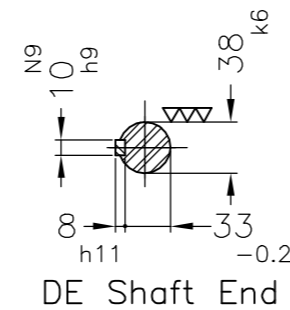
THIS IS AN UPDATED REVISION, THE PREVIOUS ONE MUST BE DISREGARDED.



Main terminal box



Grounding for leads 2-10mm²



DE Shaft End

- Placa com certificação especial (Exn) / Nameplate with special certification (Ex-n)
- Tampão roscado - M20 (ATEX) / M20 threaded plug (ATEX)
- Motor autodeclarado com marcação para gás e pó / Self-certified motor to Zone 2 and 22
- Cabo de aterramento dentro da caixa de ligação, interligando os pontos de aterramento da carcaça e da caixa / Equipotential bonding conductor between earthing connection studs located inside the terminal box
- Proteção térmica alarme - Termistor 140°C / Thermistors 140°C - Alarm
- Tampão roscado - plástico (ATEX) / Plastic threaded plug (ATEX)
- Tampão roscado - plástico / Plastic threaded plug
- Proteção térmica desligamento - Termistor 155°C / Thermistors 155°C To trip
- Dreno fechado de plástico / Plastic closed drain plug
- Ventilador de plástico condutivo / Conductive plastic fan
- Plano de pintura 202E / Painting plan 202E
- Forma construtiva B3T / Mounting B3T

WEG ELECTRIC CORPORATION - WEC

500000619652	DOCUMENTO NOVO	SCARMAGNANI	CVITORINO	08.06.2012	00		
ECM	LOC	SUMMARY OF MODIFICATIONS	EXECUTED	CHECKED	RELEASED	DATE	VER
EXECUTED	SCARMAGNANI	THREE PHASE W22 MOTOR - HIGH EFF				10001777038	
CHECKED		FRAME 132S IP55				000	00
RELEASED	CVITORINO						
REL DT	08.06.2012	WMO-JGS	JARAGUÁ DO SUL	ENG. MOTORES INDUSTRIAIS		SHEET	1 / 1

5.5 kW 04 Poles 50 Hz 412498537/01 ELET/MEC

UNCONTROLLED COPY

RELEASED

ZNE A3