

DATE
APRIL 27, 2004
CATALOG NO.
HH0156

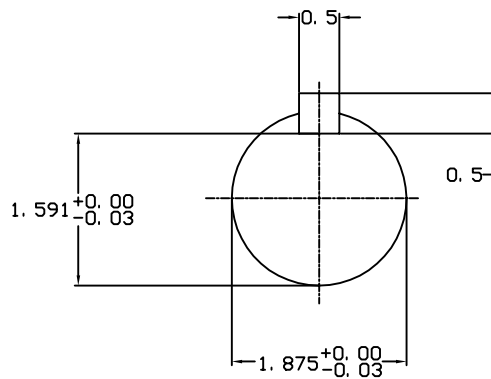
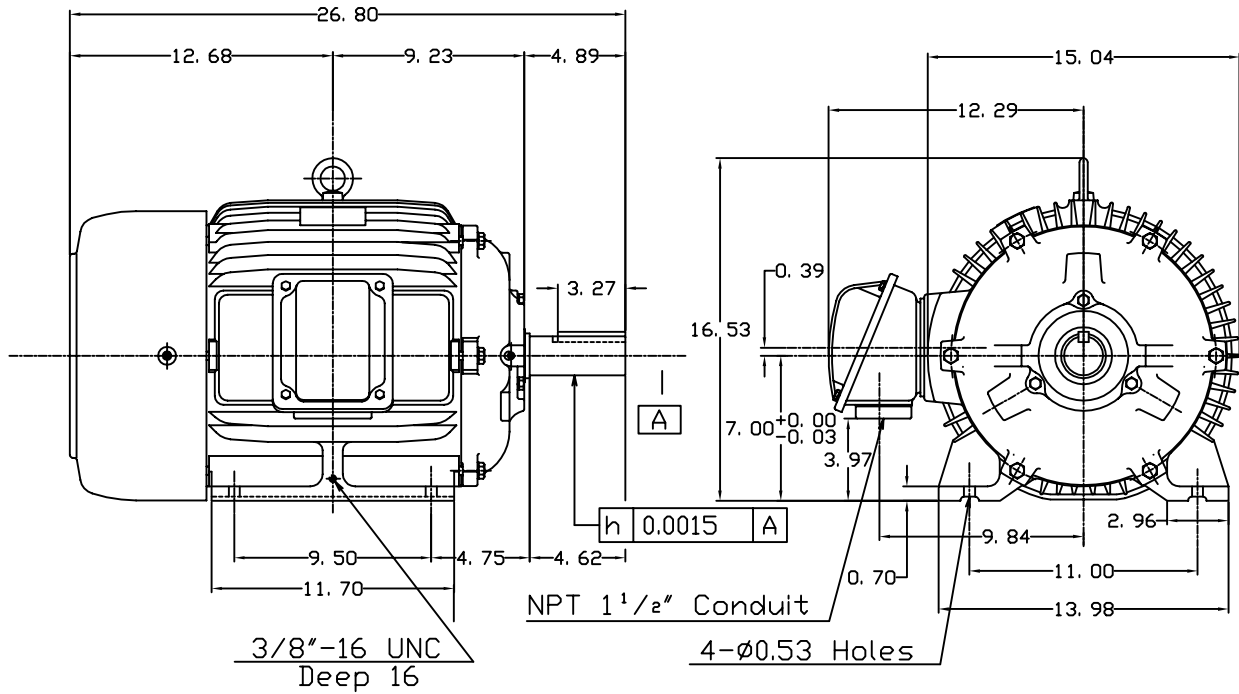
OUTLINE DIMENSIONS
3-PHASE INDUCTION MOTOR

MOTOR TYPE:
AEHH
FRAME NO. 284T

| Pole | HP | KW | Hz | VOLT | Syn.Speed RPM |
|------|----|------|----|------|------------------|
| 6 | 15 | 11.2 | 60 | 460 | 1200 |

| Ins | Rating | Dimension in | Approx Weight | Bearings |
|-----|--------|--------------|---------------|------------------------------|
| F | CONT. | inches | 418 lbs. | DE: 6311ZC35C NDE: 6310ZC35C |

Totally Enclosed Fan Cooled Type. Squirrel-cage Rotor.



| | | |
|---|--|--|
| 0 | | |
|---|--|--|

| | | |
|-------|-----------|----------|
| DWN. | J.H.LIANG | 11-30-98 |
| CHKD. | C.H.KAD | 12-26-98 |
| APPD. | Y.B.HUANG | 12-26-98 |



DWG NO.
31049M627030