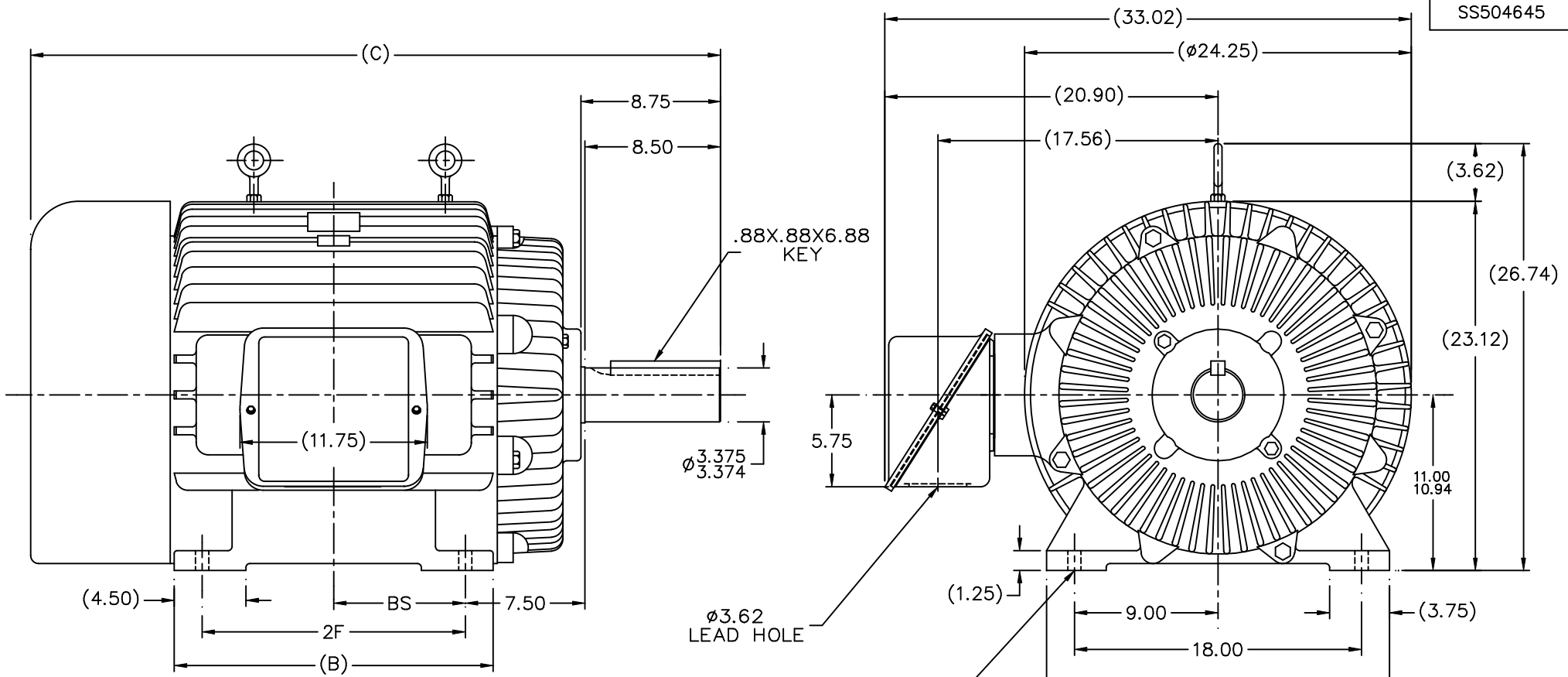


SS504645



NOTES:

1. BOX CAN BE ROTATED IN 90° STEPS
2. BOX CAN BE MOUNTED ON OPPOSITE SIDE BY REMOVING BRACKETS AND TURNING FRAME 180°
3. NAMEPLATES TO BE READ FROM CONDUIT BOX SIDE OF MOTOR

									TOLERANCES UNLESS SPECIFIED				DRAWN TLB 01-06-1989						
									DEC.	INCHES			CHK	FG 01-06-1989					
									.X	±.1	APPD ML 01-06-1989		SCALE	1=6					
									7	UPDATED TO TWO EYEBOLTS CN 31399	TJB 12-07-2001	DRS .XX	±.03	TITLE OUTLINE					
									6	CORRECTED OVERALL DIMENSIONS CN 29200-95	CAV 02-01-2000	.XXX	±.005	440T FR. - TEFC - STD.					
									5	REDRAWN ON CAD	TLB 01-06-1989	.XXXX	±.0005	MATL					
									NO.	REVISION	BY & DATE	CHK	ANG	FINISH	PREV				
									THIS DRAWING IN DESIGN AND DETAIL IS OUR PROPERTY AND MUST NOT BE USED EXCEPT IN CONNECTION WITH OUR WORK ALL RIGHTS OF DESIGN AND INVENTION ARE RESERVED THIS IS AN ELECTRONICALLY GENERATED DOCUMENT - DO NOT SCALE THIS PRINT			RFP	CAD FILE ss504645		SIZE	DRAWING NO.	PAGE	OF	REV.
DASH	FRAME	C	AG	B	2F	2FF	2FFF	BS	DIST WA		B	SS504645	7						