

Product Information Packet

January 13, 2017

Data shown is for the current revision model #. Ensure your nameplate model # matches.

Model Number:	5KS365SAJ208A
Catalog Number:	V4991
Instruction Manual:	GEK-95655
Connection Diagram:	GEM2034E-FIG7
Outline Drawing:	148CB36TLHNBCAA0002

Accessory Connection Diagrams			
Bearing Thermocouple:	None	Heater:	3027JE-1C
RTD:	None	Thermistor:	None
Thermostat:	None	Winding Thermocouple:	None
Bearing RTD:	None		

Table of Contents

Specification	01
Performance Characteristics	02
Outline Drawing	03
Connection Drawing(s)	04
Spare parts	05



Marks:

MODEL NUMBER:	5KS365SAJ208A	Estimated Weight:	940 Lbs
Outline Drawing:	148CB36TLHNBCAA0002	Time Rating:	CONT
Connection Diagram:	GEM2034E-FIG7	Enclosure:	TEFC
Instruction Book:	GEK-95655	Encl Construction:	X\$D
Design Code:	36BD1227A	Ambient Max(°C):	40
Type:	KS	Alt Ambient Max(°C):	--
Frame:	L365HP16	Insulation Class:	H
Phases:	3	NEMA Design:	B
Poles:	4	Nominal Efficiency:	95.4 %
Output Power:	75HP 55.5KW	Guaranteed Efficiency:	94.5
RPM:	1785	3/4 Load Efficiency:	95.5
Voltage:	460	KVA Code:	G
Hertz:	60	Max KVAR:	26.6
Amps - FL:	89.2	Power Factor:	82.5
Service Factor:	1.15	Bearing - DE:	6312C3
Alt Service Factor:	--	Bearing - ODE:	6314ZC3

Enclosure is Totally Enclosed Fan-Cooled

Stamped Nameplate Notes:

HTR LDS HE1-HE2 115V 100W
 INVERTER DUTY PER NEMA MG1 PART 31
 ALTERNATE RATING FOR PWM CONTROL:1.0SF 40C AMBIENT
 VAR TORQUE RANGE 0-60 HZ
 SUITABLE FOR 60 HP, 380V, 50 HZ WITH
 86.4 AMPS AND 1485 RPM AT 1.00 SF
 API 610 12TH EDITION SHAFT DIMENSIONS

Additional Information:

4 POLE,VERT SOLID SHAFT NORMAL THRUST
 346 CU IN - 3.00" NPT
 INPRO SEAL ON UPPER END
 OIL RESISTANT SLEEVING ON LEADS
 115V HTR LDS TO MAIN CONDUIT BOX
 BEARING LIFE 8760 HOURS AT 1305 LB THRUST
 BRASS TEE DRAIN
 RCF: 3210 CPM AT C/BOX SIDE, 3510 CPM AT
 90 DEG FROM C/ BOX SIDE
 CG: 12.60 IN FROM P-BASE FACE

Performance Characteristics

1st Winding 1st Connection

Design: 36BD1227A

Marks:

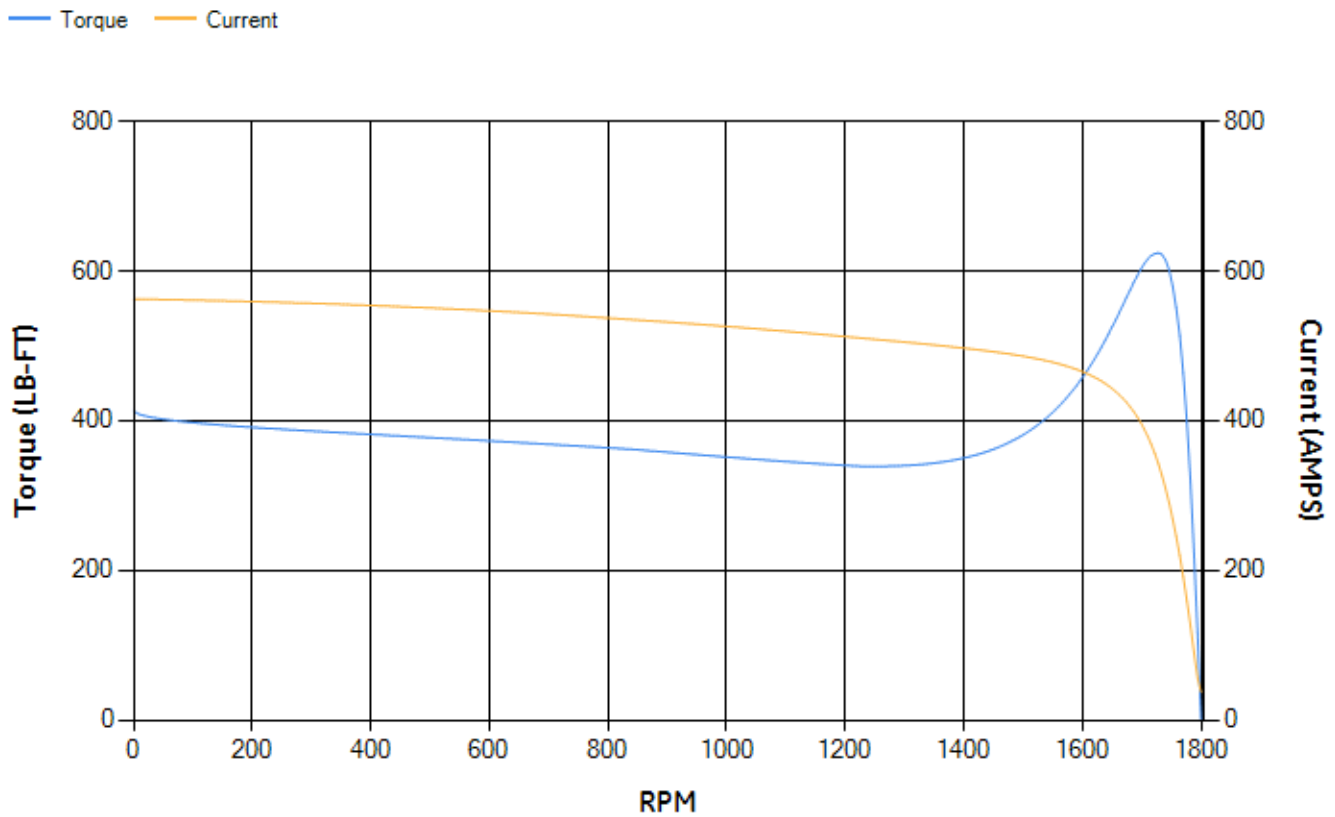
LOAD %	125.0	115.0	100.0	75.0	50.0	25.0	0.0
% EFF	94.85	95.06	95.52	95.53	95.19	92.83	0.00
% PF	84.62	83.96	82.42	77.56	67.04	44.23	2.93
AMPS	109.33	101.14	88.97	71.05	55	42.75	37.05

TORQ(FL)#FT	220.86	TORQ(LR)%FL	187.4	TORQ(BD)%FL	281.78
AMPS(LR)	562.55	PF AT START	0.32		

This motor is capable of two cold or one hot start with a maximum connected load inertia of 1432 Lb-Ft Sq (60.29 Kg-meter Sq)at 100% voltage, where the load torque varies with the square of the speed. Acceleration time with maximum inertia and the above load type is 27 seconds. Safe stall time at 100% voltage is 65 seconds cold, 32 seconds hot. Rotor inertia is 15.28 Lb-Ft Sq (0.64 Kg-meter Sq).

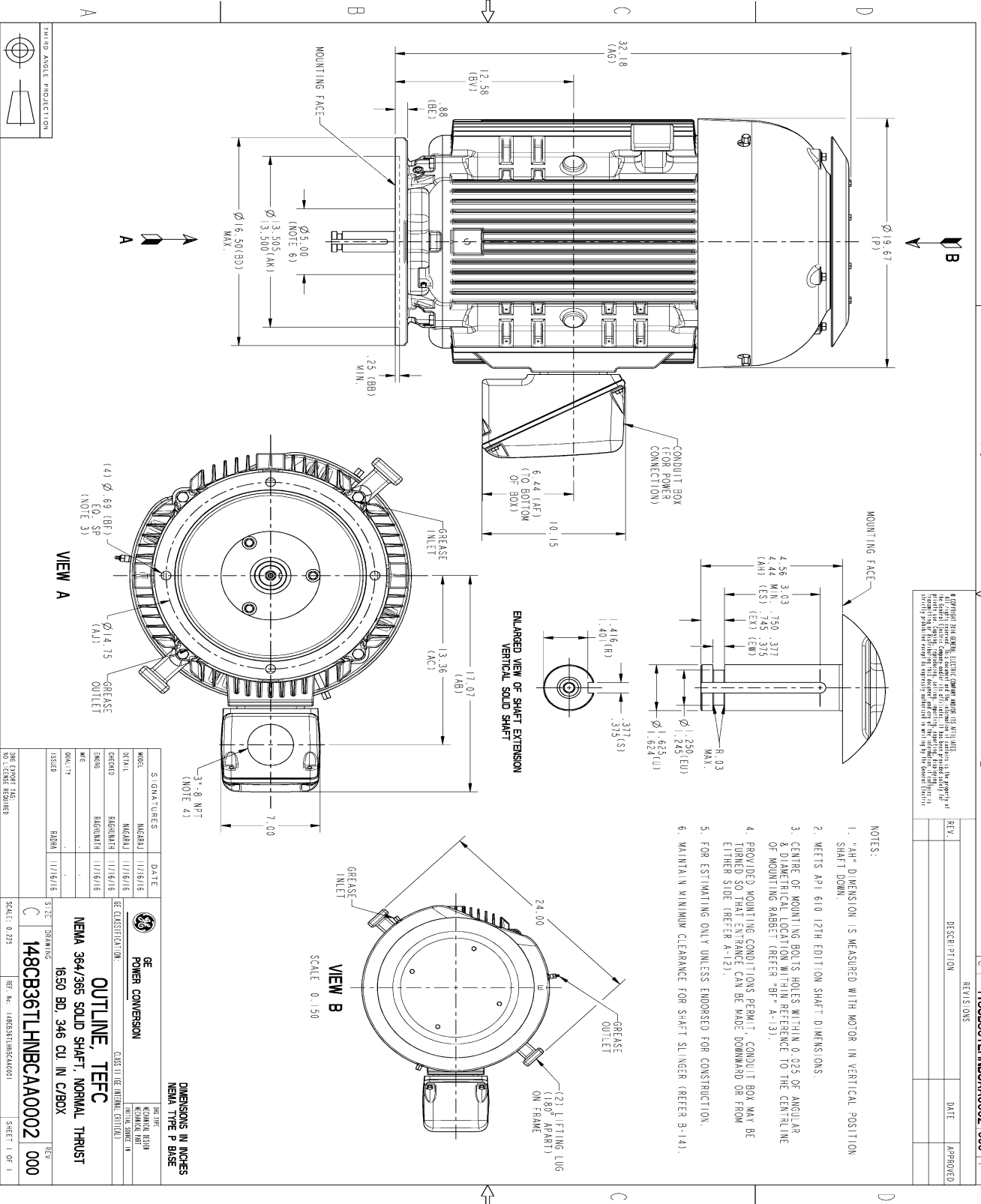
Open Circuit A-C:	0.626	Short Circuit D-C:	0.025
Short Circuit A-C:	0.034	X/R Ratio:	9.412
Stator Slots:	60	Rotor Slots:	50

Speed Torque Current Curve (First Connection, First Speed)



Marks:

SOLID MODEL: 148CB36TLHNBCAA0002



© COPYRIGHT 2017 GE. ALL RIGHTS RESERVED. THIS DOCUMENT IS THE PROPERTY OF GE. IT IS TO BE USED FOR THE SPECIFIC PROJECT AND NOT TO BE REPRODUCED OR TRANSMITTED IN ANY FORM OR BY ANY MEANS, ELECTRONIC OR MECHANICAL, INCLUDING PHOTOCOPYING, RECORDING, OR BY ANY INFORMATION STORAGE AND RETRIEVAL SYSTEM. WITHOUT THE WRITTEN PERMISSION OF GE, THIS DOCUMENT IS TO BE KEPT CONFIDENTIAL AND NOT TO BE DISCLOSED TO ANY OTHER PARTY.

REV.	DESCRIPTION	DATE	APPROVED

- NOTES:
- "A" DIMENSION IS MEASURED WITH MOTOR IN VERTICAL POSITION SHAFT DOWN.
 - MEETS API 610 12TH EDITION SHAFT DIMENSIONS.
 - CENTRE OF MOUNTING BOLTS HOLES WITHIN 0.025 OF ANGULAR & DIRECTIONAL LOCATION WITHIN REFERENCE TO THE CENTRALLINE OF MOUNTING HUBBLE (REFER "B" A-13).
 - PROVIDED MOUNTING CONDITIONS PERMIT CONDUIT BOX MAY BE TURNED SO THAT ENTRANCE CAN BE MADE DOWNWARD OR FROM EITHER SIDE (REFER A-12).
 - FOR ESTIMATING ONLY UNLESS ENDORSED FOR CONSTRUCTION.
 - MAINTAIN MINIMUM CLEARANCE FOR SHAFT SLINGER (REFER B-14).

SIGNATURES	DATE	REV
DESIGNER	11/16/16	
CHECKED	11/16/16	
DATE	11/16/16	
ISSUED	11/16/16	

GE POWER CONVERSION
NEMA 364/365 SOLID SHAFT, NORMAL THRUST
1650 BD, 346 CU IN C/BOX
148CB36TLHNBCAA0002
 SCALE: 0.25
 SHEET 1 OF 1

DIMENSIONS IN INCHES
NEMA TYPE P BASE

Marks:

Connection Diagram
GEM2034E-FIG7



Heater Connection
3027JE-1C



End shield Assembly		
Part Description	DE Side Part#	ODE Side Part#
End Shield	115E8258BA1	115E4250LK1
Bearing	235A2509AR01	235A2616AA01
Slinger/Inproseal	235A2300FM1	235A4575GS3

Fan & Fan Cover Assembly	
Part Description	Part#
Fan	159C7100AA1
Fan Cover	128D6810AD1

Conduit & Accessories Box Assembly	
Part Description	Part#
Conduit Box	149C4429AA2

Mechanical Accessories	
Part Description	Part#
Brake	
Tachometer	