

Product Information Packet

November 7, 2016

Data shown is for the current revision model #. Ensure your nameplate model # matches.

Model Number:	5KS286ATE305A
Catalog Number:	E7017
Instruction Manual:	GEI-M1023
Connection Diagram:	GEM2034E-FIG10
Outline Drawing:	358B6217AB

Accessory Connection Diagrams			
Bearing Thermocouple:	None	Heater:	None
RTD:	None	Thermistor:	None
Thermostat:	None	Winding Thermocouple:	None
Bearing RTD:	None		

Table of Contents	
Specification	01
Performance Characteristics	02
Outline Drawing	03
Connection Drawing(s)	04

Marks:

MODEL NUMBER:	5KS286ATE305A	Estimated Weight:	350 Lbs
Outline Drawing:	358B6217AB	Time Rating:	CONT
Connection Diagram:	GEM2034E-FIG10	Enclosure:	DP
Instruction Book:	GEI-M1023	Encl Construction:	OPEN
Design Code:	28AD3005A	Ambient Max(°C):	40
Type:	KS	Alt Ambient Max(°C):	--
Frame:	286T	Insulation Class:	F
Phases:	3	NEMA Design:	A
Poles:	6	Nominal Efficiency:	92.4 %
Output Power:	20HP 14.8KW	Guaranteed Efficiency:	91.0
RPM:	1180	3/4 Load Efficiency:	93.2
Voltage:	230/460	KVA Code:	J
Hertz:	60	Max KVAR:	6.4
Amps - FL:	51.2/25.6	Power Factor:	79
Service Factor:	1.15	Bearing - DE:	6312ZZ
Alt Service Factor:	--	Bearing - ODE:	6310ZZ

Enclosure is Dripproof

Stamped Nameplate Notes:**Additional Information:**

6 POLE DP
 LRA: 398/199
 NO. OF MOTOR LEADS: 12
 CONDUIT BOX VOLUME (IN³): 244
 CONDUIT BOX MTL: STAMPED STEEL
 GREASE TYPE: SHELL ALVANIA R3 LITHIUM GREASE
 USABLE AT 200V @ 20HP, 55.5 AMPS @ 1.0SF
 50 HZ DATA; 20HP, 200/400V, 57.8/28.9 AMPS AT 1.0SF, 975 RPM
 SOUND POWER: 71.5
 DMK, 06/04, DATA UPDATE 11/2004
 INVERTER DUTY PER NEMA MG1 PART 31
 FOR VARIABLE TORQUE LOADS

Performance Characteristics

1st Winding 1st Connection

Design: 28AD3005A

Marks:

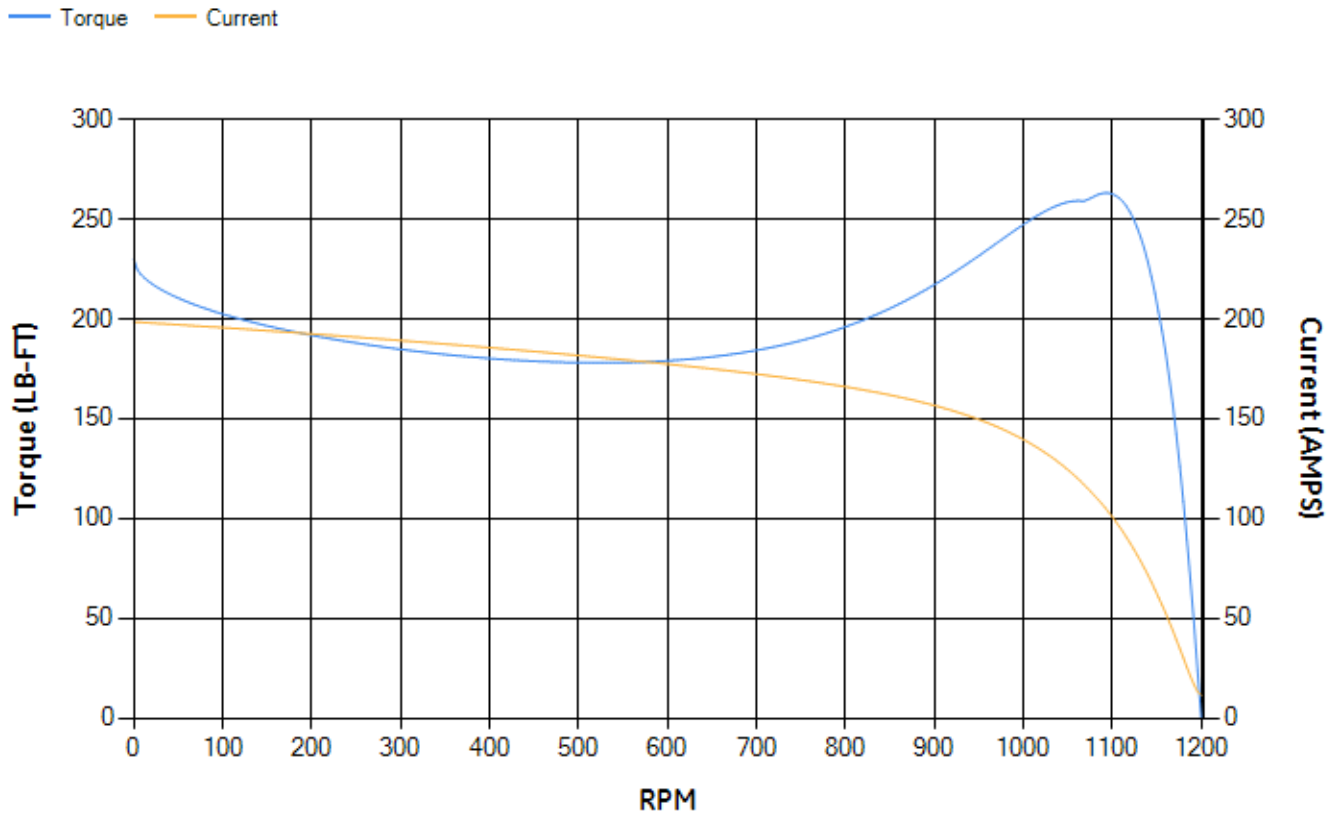
LOAD %	125.0	115.0	100.0	75.0	50.0	25.0	0.0
% EFF	91.98	92.34	92.99	93.21	92.82	89.55	0.00
% PF	83.44	82.46	80.4	74.47	62.87	40.49	4.06
AMPS	30.49	28.27	25.04	20.22	16.04	12.91	11.43

TORQ(FL)#FT	88.85	TORQ(LR)%FL	259.08	TORQ(BD)%FL	289.39
AMPS(LR)	198.5	PF AT START	0.39		

This motor is capable of two cold or one hot start with a maximum connected load inertia of 908 Lb-Ft Sq (38.23 Kg-meter Sq) at 100% voltage, where the load torque varies with the square of the speed. Acceleration time with maximum inertia and the above load type is 21 seconds. Safe stall time at 100% voltage is 49 seconds cold, 37 seconds hot. Rotor inertia is 5.23 Lb-Ft Sq (0.22 Kg-meter Sq).

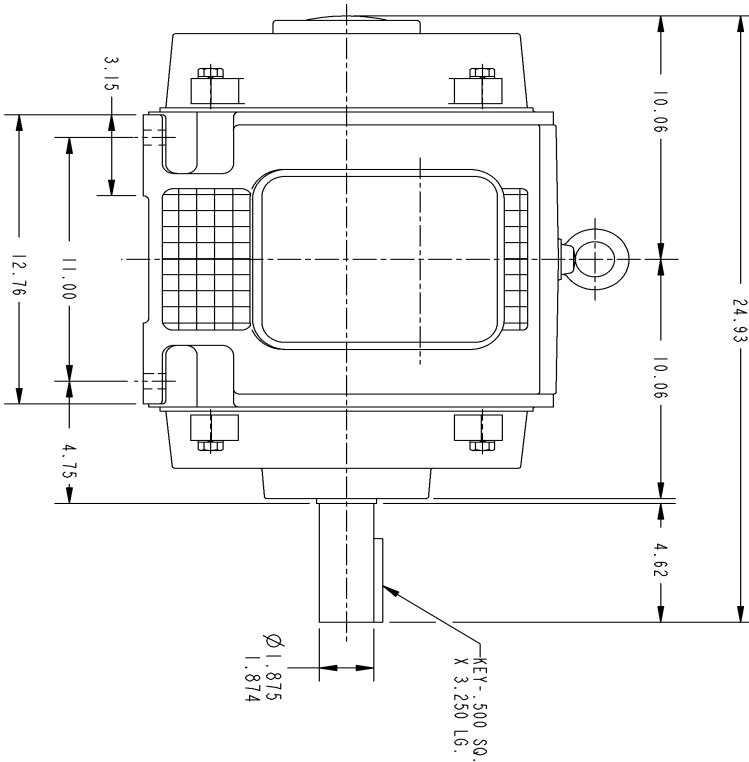
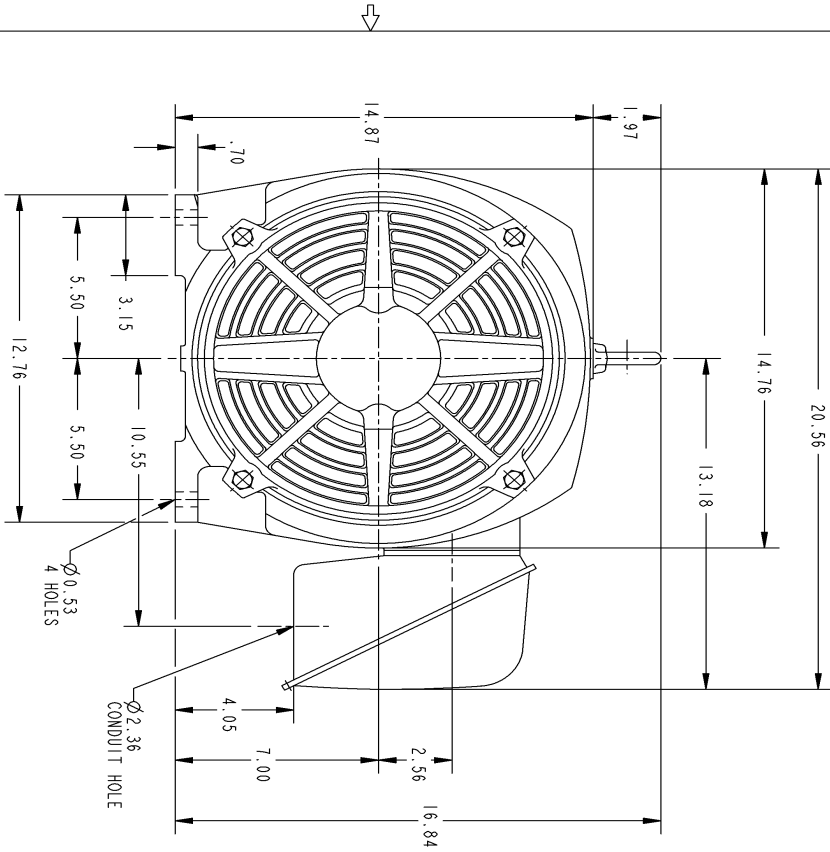
Open Circuit A-C:	0.356	Short Circuit D-C:	0.012
Short Circuit A-C:	0.019	X/R Ratio:	4.665
Stator Slots:	72	Rotor Slots:	60

Speed Torque Current Curve (First Connection, First Speed)



NAME:501452442 OBJECT:358B6217AB DATE:15-May-07 15:37:54

Marks:



GE PROPRIETARY INFORMATION
 This General Outline drawing of General Electric Company (GE) and affiliates does not constitute a contract. It is intended to provide a general outline of the product and is not intended to be used for manufacturing purposes. The information contained herein shall be disclosed to third parties only on a non-exclusive basis and shall remain the property of GE. This document shall be returned to GE upon its request and shall not be used for any other purpose without the prior written consent of GE. Copyright © 2007 GE.

REV.	DESCRIPTION	DATE	APPROVED
1	ISAAC 07-0770	05/03/07	R. KOHNE

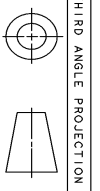
SIZE DRAWING FOR
358B6217AB

SHEET
1

REVISIONS

NOTES :

1. CONDUIT BOX MAY BE PLACED WITH THE ENTRANCE DOWN, UP OR ON EITHER SIDE.
2. F-1 ASM AS SHOWN.
3. F-2 ASM - HAS CONDUIT BOX ON OPPOSITE SIDE.



THIRD ANGLE PROJECTION

UNLESS OTHERWISE SPECIFIED:		SIGNATURES		DATE	
DIMENSIONS ARE IN INCHES		DRWN	P. RAJU	03/27/03	
TOLERANCE ON:		CHECKED	PRABHAKAR	03/27/03	
2 PL DECIMALS ±		ENGR			
3 PL DECIMALS ±		ISSUED	PRABHAKAR	03/27/03	
ANGLES ± 1°		APPLIED PRACTICES			
MATERIAL:		SIZE DRAWING		REV.	
		B		1	
		SCALE: DRAWING SCALE		SHEET 1 OF 1	

GE Industrial Systems
 GENERAL ELECTRIC COMPANY
 Fort Wayne, Indiana

286T - OPEN DRIP PROOF

358B6217AB

DISTRIBUTION:

Marks:

Connection Diagram
GEM2034E-FIG10

