

Product Information Packet

January 12, 2017

Data shown is for the current revision model #. Ensure your nameplate model # matches.

Model Number:	5KS256CAA204D
Catalog Number:	E9627
Instruction Manual:	GEI-56128
Connection Diagram:	GEM2034E-FIG1
Outline Drawing:	4002B5825RAP5201

Accessory Connection Diagrams			
Bearing Thermocouple:	None	Heater:	None
RTD:	None	Thermistor:	None
Thermostat:	3027JE-2A	Winding Thermocouple:	None
Bearing RTD:	None		

Table of Contents	
Specification	01
Performance Characteristics	02
Outline Drawing	03
Connection Drawing(s)	04

Marks:

MODEL NUMBER:	5KS256CAA204D	Estimated Weight:	350 Lbs
Outline Drawing:	4002B5825RAP5201	Time Rating:	CONT
Connection Diagram:	GEM2034E-FIG1	Enclosure:	TEFC
Instruction Book:	GEI-56128	Encl Construction:	XP
Design Code:	25BD1163B	Ambient Max(°C):	40
Type:	KS	Alt Ambient Max(°C):	--
Frame:	256T	Insulation Class:	F
Phases:	3	NEMA Design:	B
Poles:	4	Nominal Efficiency:	93 %
Output Power:	20HP 14.8KW	Guaranteed Efficiency:	91.7
RPM:	1775	3/4 Load Efficiency:	93.7
Voltage:	575	KVA Code:	G
Hertz:	60	Max KVAR:	6.1
Amps - FL:	18.9	Power Factor:	85.0
Service Factor:	1.00	Bearing - DE:	6309ZC3
Alt Service Factor:	--	Bearing - ODE:	6309ZC3

Enclosure is Totally Enclosed Fan-Cooled

Stamped Nameplate Notes:

EXPLOSION PROOF MOTOR
TEMP CODE T3C
THERMOSTAT LEADS TB1-TB2
STAMP NP249A5571AD "CL I (C & D) CL II (F & G)"

Additional Information:

4P - T EXTN
STANDARD FLOOR MOUNT
C/BOX 127 CU IN-1.25 NPT
F1 CONDUIT BOX MOUNTING
AUX LEADS EXIT WITH MOTOR LEADS
CL I C & D CL II F & G EXPLOSION PROOF MOTOR

Performance Characteristics

1st Winding 1st Connection

Design: 25BD1163B

Marks:

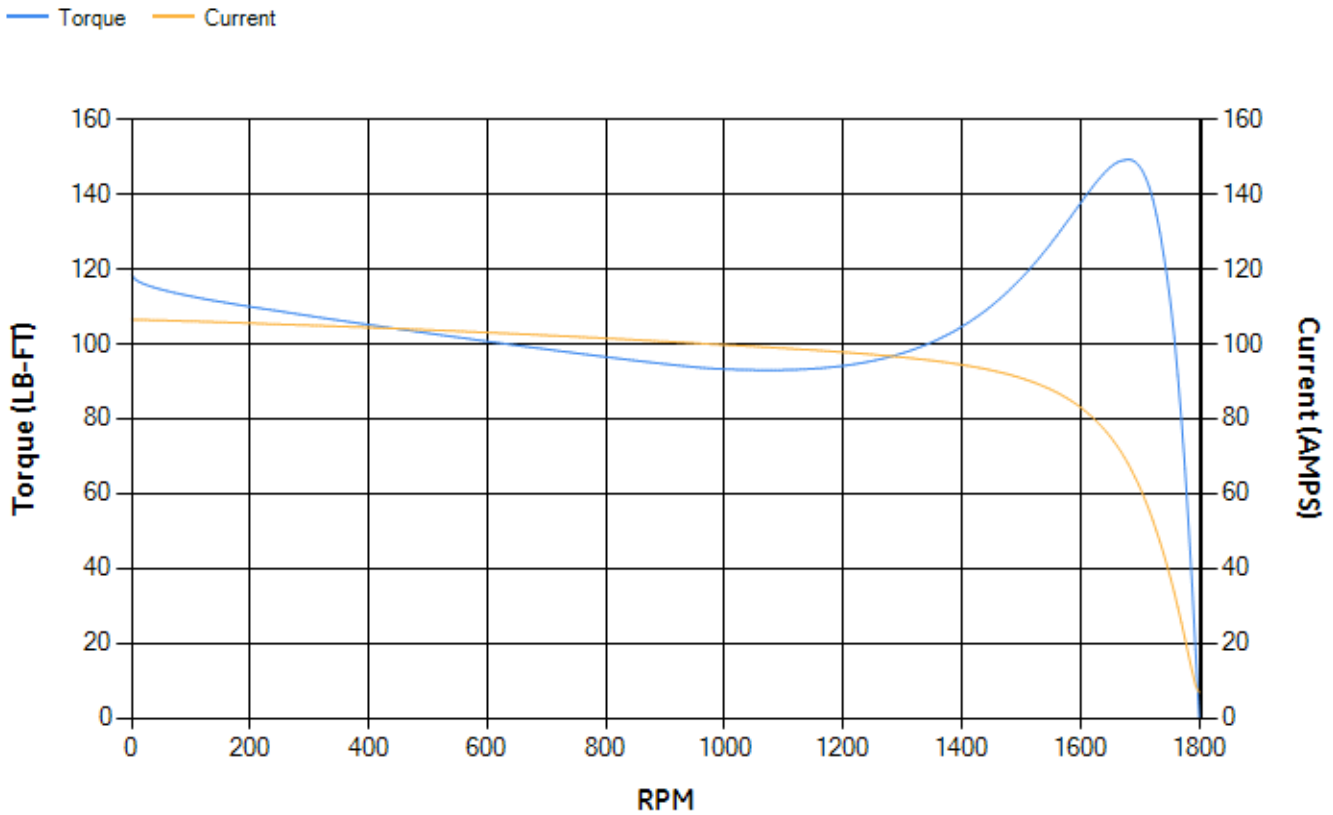
LOAD %	125.0	115.0	100.0	75.0	50.0	25.0	0.0
% EFF	92.04	92.49	93.26	93.69	93.61	91.09	0.00
% PF	86.17	85.86	84.9	81.26	72.38	50.45	4.43
AMPS	23.6	21.69	18.91	14.75	11.05	8.15	6.77

TORQ(FL)#FT	59.23	TORQ(LR)%FL	200.14	TORQ(BD)%FL	250.96
AMPS(LR)	106.49	PF AT START	0.45		

This motor is capable of two cold or one hot start with a maximum connected load inertia of 648 Lb-Ft Sq (27.28 Kg-meter Sq)at 100% voltage, where the load torque varies with the square of the speed. Acceleration time with maximum inertia and the above load type is 44 seconds. Safe stall time at 100% voltage is 100 seconds cold, 63 seconds hot. Rotor inertia is 3.04 Lb-Ft Sq (0.13 Kg-meter Sq).

Open Circuit A-C:	0.484	Short Circuit D-C:	0.014
Short Circuit A-C:	0.024	X/R Ratio:	5.126
Stator Slots:	48	Rotor Slots:	40

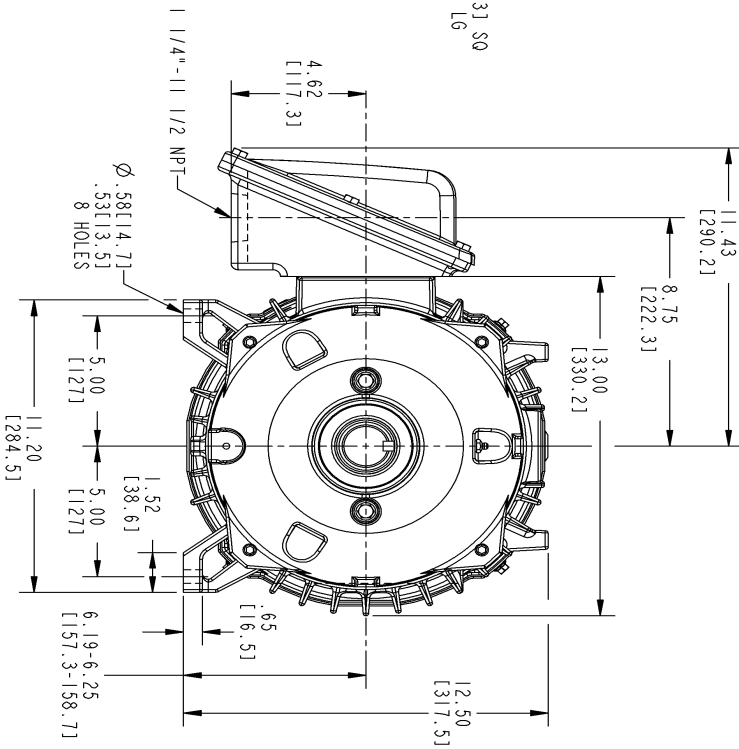
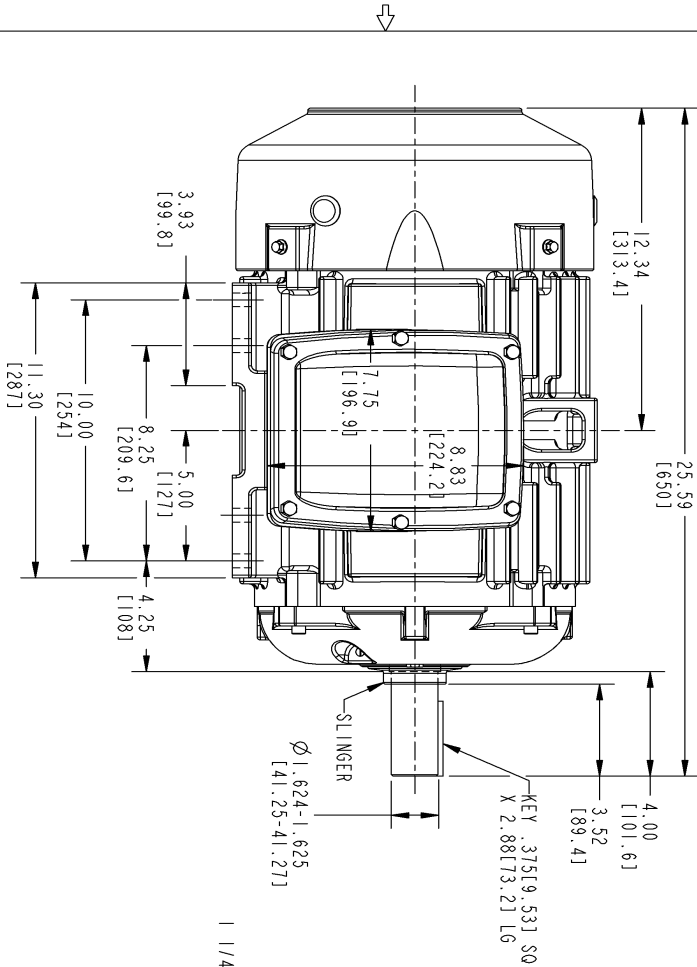
Speed Torque Current Curve (First Connection, First Speed)



NAME:500957145 OBJECT:4002B5825RAP5201 DATE:23-Nov-07 19:23:09

Marks:

NOTE 1 : CONDUIT BOX MAY BE ASSEMBLED WITH ENTRANCE UP, DOWN OR TO EITHER SIDE.
 NOTE 2 : F1 ASSEMBLY AS SHOWN. F2 ASSEMBLY CONDUIT BOX ON OPPOSITE SIDE FROM SHOWN LOCATION.

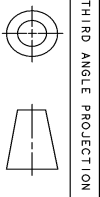


REV.	DESCRIPTION	DATE	APPROVED
1	DUAL DIMENSION ADDED	11/23/07	HEMANTH

SIZE DRAWING NO. 4002B5825RAP5201

SH 1 REV

REVISIONS



THIRD ANGLE PROJECTION

SIGNATURES	DATE	GE Industrial Systems	GENERAL ELECTRIC COMPANY
DRAWN: GARY WARRNER	JUN 21/02		Fort Wayne, Indiana
CHECKED: GARY WARRNER	JUN 21/02		
ISSUED: GARY WARRNER	JUL 04/02		
APPLIED PRACTICES		INDUCTION MOTOR OUTLINE STANDARD CONSTRUCTION FME: FR250T FCXR XSD ULTRA	
SIZE DRAWING	B	4002B5825RAP5201	REV. 1
SCALE: 0.250 REF. NO: 4002B5825RAP5201 SHEET 1 OF 1			

DISTRIBUTION: PMP-18K15

Marks:

Connection Diagram
GEM2034E-FIG1



Thermostat Connection
3027JE-2A

