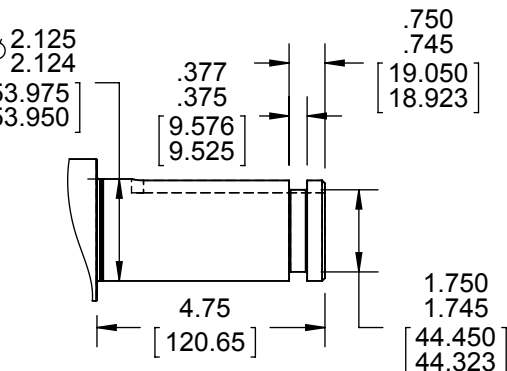


- NOTES:  
 1. CONDUIT BOX CAN BE ROTATED IN 90° STEPS  
 2. NAMEPLATES TO BE READ FROM SHAFT EXT. END OF MOTOR



DASH	FRAME	C	AG	BV
2050	440HP	36.26 [921.00]	31.52 [800.61]	16.02 [406.91]

DRAWING REVISION P	REVISION BY AJW	DATE 09-05-2014
ECO ECO-0059513	APPROVED BY DJK	DATE 09-08-2014
ECO DESCRIPTION UPDATED TO CURRENT STANDARDS COPYRIGHT REGAL BELOIT AMERICA, INC. ALL RIGHTS RESERVED PROPRIETARY AND CONFIDENTIAL INFORMATION - THIS DOCUMENT IS THE PROPERTY OF REGAL BELOIT AMERICA, INC. ("OWNER") AND CONTAINS OWNER'S PROPRIETARY INFORMATION. ANY PERSON, CORPORATION OR OTHER FIRM RECEIVING IT IS DEEMED, BY RECEIVING IT, TO AGREE THAT IT, AND/OR ANY PART OF IT, SHALL NOT BE DISCLOSED TO ANY PERSON, CORPORATION OR OTHER ENTITY, DUPLICATED, AND/OR USED, EXCEPT AS EXPRESSLY APPROVED IN WRITING IN ADVANCE BY OWNER. THIS DOCUMENT SHALL BE RETURNED TO OWNER UPON REQUEST. IT MAY BE SUBJECT TO CERTAIN RESTRICTIONS UNDER APPLICABLE EXPORT CONTROL LAWS AND REGULATIONS.		

TOLERANCES UNLESS OTHERWISE SPECIFIED:  
 DEC. INCH mm ANGLE  
 .X ±0.1 [±2.5] ±0.5°  
 .XX ±0.01 [±0.25]  
 .XXX ±0.005 [±0.127]  
 .XXXX ±0.0005 [±0.0127]  
 REMOVE BURRS & BREAK SHARP  
 EDGES: .003/.015 [0.076/.381]  
 CORNER FILLETS: .02 [51]  
 MACHINED SURFACES: 125 INCH 3.2 mm  
 mm SHOWN IN [BRACKETS]

DRAWN BY DJK	DATE 11-13-1992
APPROVED BY GK	DATE 11-18-1992
REFERENCE	THIRD ANGLE PROJECTION

<b>REGAL</b> ™ Regal Beloit America, Inc.	
DESCRIPTION <b>OUTLINE</b> 440HP FR.-DR.PR.-VERT. P'BASE	
MATERIAL	PROCESS/FINISH
SIZE B	DRAWING NUMBER SS504363
SHEET 1 OF 1	