

DATE
January 20, 2009
CAT. #: HB0054C

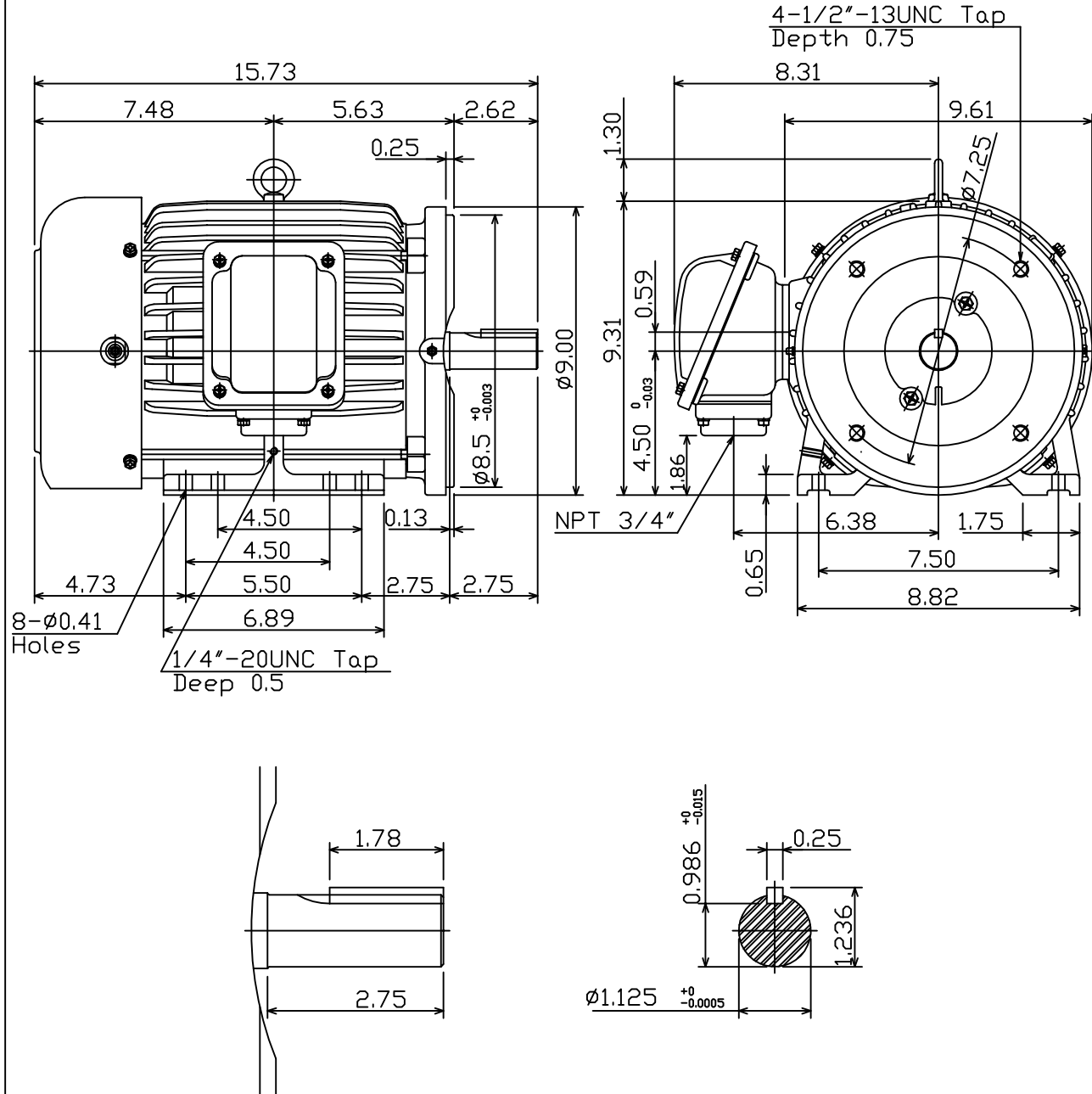
OUTLINE DIMENSIONS
3-PHASE INDUCTION MOTOR

MOTOR TYPE:
AEHH8B-CF
FRAME NO. 184TC

Pole	HP	kW	Hz	VOLT	Syn.Speed r/min(rpm)
2/4/6/8	5	3.72	60	460	1800

Ins	Rating	Dimension in	Approx Weight	Bearings
F	CONT.	inches	158 LBS	DE: 6306ZC3 NDE: 6306ZC3

Totally Enclosed Fan-Cooled Type Squirrel-Cage Rotor.



Note:
1. With Inpro Seals On Both End.

\diamond		
------------	--	--

DWN.	D.V.CHIAN	09-12-04
CHKD.	C.S.LO	09-20-04
APPD.	M.C.TSAI	09-20-04



DWG NO.
HB0054C