

4

3

2

1

REV	ECO	REV BY	DATE	APPD	DATE
D	0025583	A. ARREOLA	05-03-2012	D. BALDERRAMA	05-03-2012

GENERAL INFORMATION:

SHAFT RUNOUT: .001 [.03] T.I.R. PER INCH LENGTH OF EXTENSION

BEARINGS: BALL

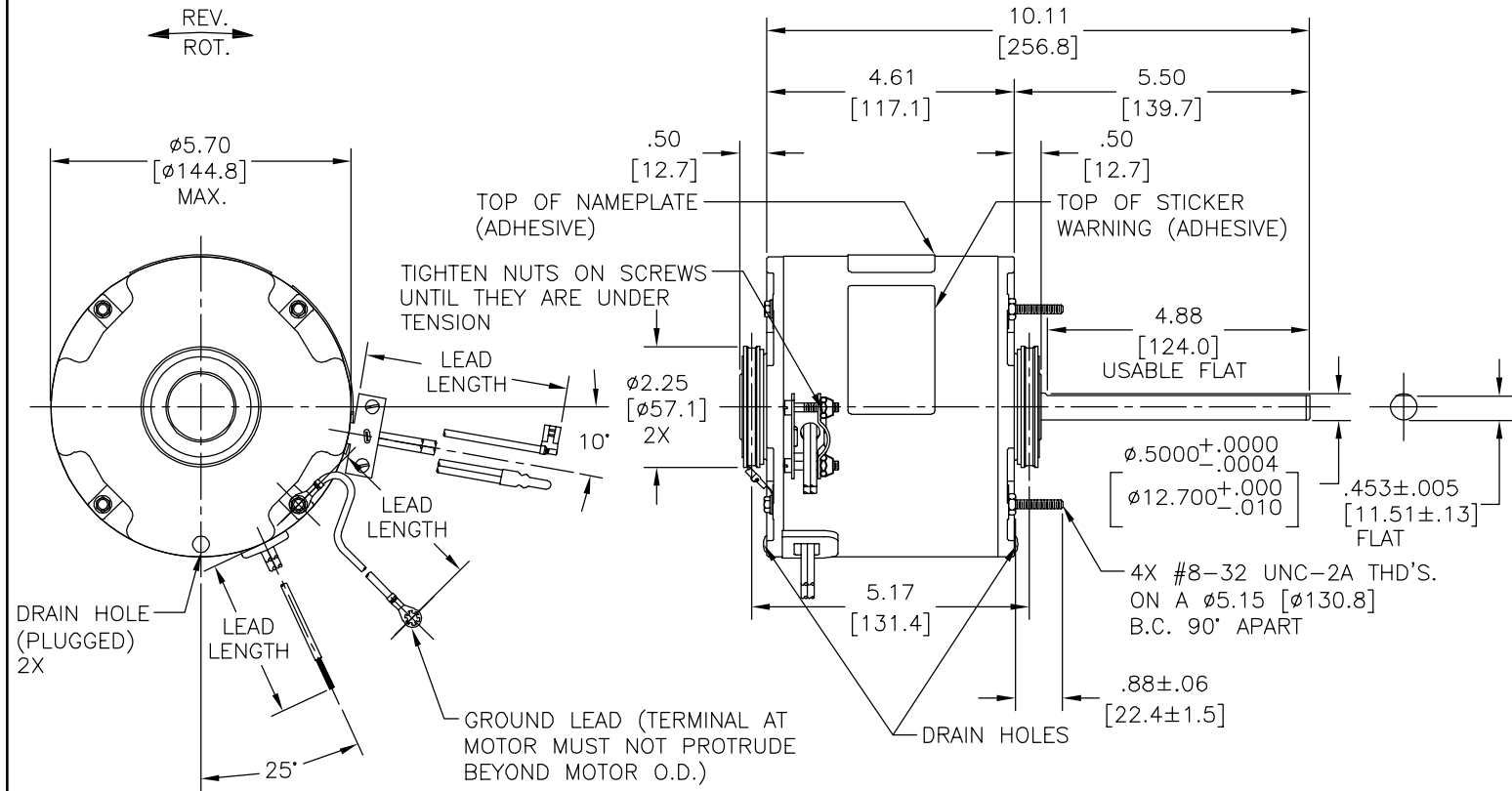
MOUNTING POSITION: ALL ANGLE

ELECTRICAL DATA:

OVERLOAD PROTECTOR: AUTOMATIC RESET (T.I. 7AM 036)

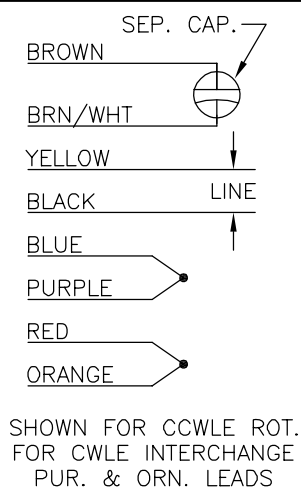
LEADS: NO. 18 GA., .03 [.8] THK. XPL 125°C INSUL.

GROUND LEAD: NO. 18 GA., .03 [.8] THK. (GREEN/YELLOW) INSUL.



NAMEPLATE DATA: EXTERNAL CONNECTION DIAGRAM

MODEL NO.: F48V20A01
 CUST. P/N: UHH1036
 HP: 1/3
 ROT.: REVERSIBLE
 RPM: 1075
 TYPE: UF
 FRAME: 48Y
 VOLTS: 208-230
 PH: 1
 AMPS: 2.2
 HZ: 60/50
 INS.: B
 AMB.: 40° C
 DUTY: AIR OVER
 CAP.: 5 MFD/370 V
 ENCL: ENCLOSED
 UL LOGO
 CSA LOGO
 THERMALLY PROTECTED



GREEN/YELLOW (GROUND)	12.0/14.0 [305/356]	#10 EYELET
BROWN/WHITE	48.0/52.0 [1219/1321]	.25 [6.4] FLAG
BROWN	48.0/52.0 [1219/1321]	.25 [6.4] FLAG
BLUE	48.0/52.0 [1219/1321]	.60 [15.2] SKIN
PURPLE	48.0/52.0 [1219/1321]	.60 [15.2] SKIN
RED	48.0/52.0 [1219/1321]	.60 [15.2] SKIN
ORANGE	48.0/52.0 [1219/1321]	.60 [15.2] SKIN
BLACK	48.0/52.0 [1219/1321]	.60 [15.2] SKIN
YELLOW	48.0/52.0 [1219/1321]	.60 [15.2] SKIN
COLOR	LENGTH	TERMINAL OR STRIP LENGTH

NOTES:

- (1) MOUNTING BASE 368C81H11
 (2) CLAMP ASSEMBLY 620836-006
 (1) CAPACITOR 628316-307
 (1) CAPACITOR CAP 260B913H01
 (1) BRACKET ASSEMBLY 616672
 (4) SPLIT RINGS 615035
 TO BE SHIPPED SEPARATE IN EACH CARTON WITH MOTOR.
- MOTOR TO BE SHIPPED CONNECTED FOR CCWLE ROTATION.

MAIN FRAME - OLE	ENCLOSED
END FRAME - OLE	ENCLOSED
MAIN FRAME - LE	ENCLOSED
END FRAME - LE	ENCLOSED

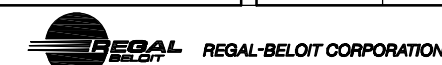
CUSTOMER	DISTRIBUTION SERVICE
----------	----------------------

PERFORMANCE CURVE NO.	TORQUE @ 1075 RPM (25°C)	APPROVED SAMPLE	UL COMPONENT FILE #	CCN #	CSA FILE #	CLASS #
C31952	33.3 OZ. FT.	0443592A	E46412	PRGY2	LR43341	4211-01

GEOMETRIC CHARACTERISTICS & SYMBOLS
 □ FLATNESS
 — STRAIGHTNESS
 ∠ ANGULARITY
 ⊥ PERPENDICULARITY (SQUARENESS)
 // PARALLELISM
 ○ ROUNDNESS (CIRCULARITY)
 ∅ CYLINDRICITY
 △ PROFILE OF ANY SURFACE
 ∩ PROFILE OF ANY LINE
 ↗ RUNOUT
 ⊕ TRUE POSITION
 ⊙ CONCENTRICITY
 = SYMMETRY
 ASME Y14.5M 1994

REGAL-BELOIT CORPORATION (RBC) PROVIDES TECHNICAL ASSISTANCE TO OUR CUSTOMERS IN SEVERAL AREAS. SINCE RBC DOES NOT RECEIVE ALL DATA CONCERNING THE USE AND APPLICATION OF THE MOTOR, THE SUITABILITY OF THE MOTOR FOR THE APPLICATION MUST BE DETERMINED BY THE CUSTOMER.
 DIMENSIONS WITHOUT TOLERANCES ARE FOR REFERENCE ONLY.

DR BY: APPD: B.SHANK 08-25-2004
 EDS DATE 11-11-2011
 FORMAT REV G
 THIRD ANGLE PROJECTION
 CONFIDENTIAL: THIS DRAWING AND ITS INFORMATION ARE THE EXCLUSIVE AND CONFIDENTIAL PROPERTY OF REGAL-BELOIT CORPORATION AND ARE NOT TO BE DISCLOSED, DUPLICATED, DISTRIBUTED OR OTHERWISE USED WITHOUT THE WRITTEN CONSENT OF REGAL-BELOIT CORPORATION. -ALL RIGHTS RESERVED.



DESCRIPTION	MODEL-RFHP-48FR OUTLINE
SIZE	C
DWG NO	F48V20A01
SCALE	NONE
SHEET	1

4

3

2

1

4

3

2

1

REVISION:	ECO	REVISADO POR:	FECHA:	APROBADO POR:	FECHA:
D	0025583	A. ARREOLA	05-03-2012	D. BALDERRAMA	05-03-2012

INFORMACION GENERAL:

OSCILACION DE FLECHA: .001 [.03] T.I.R. PER INCH LENGTH OF EXTENSION

BALEROS: BALAS

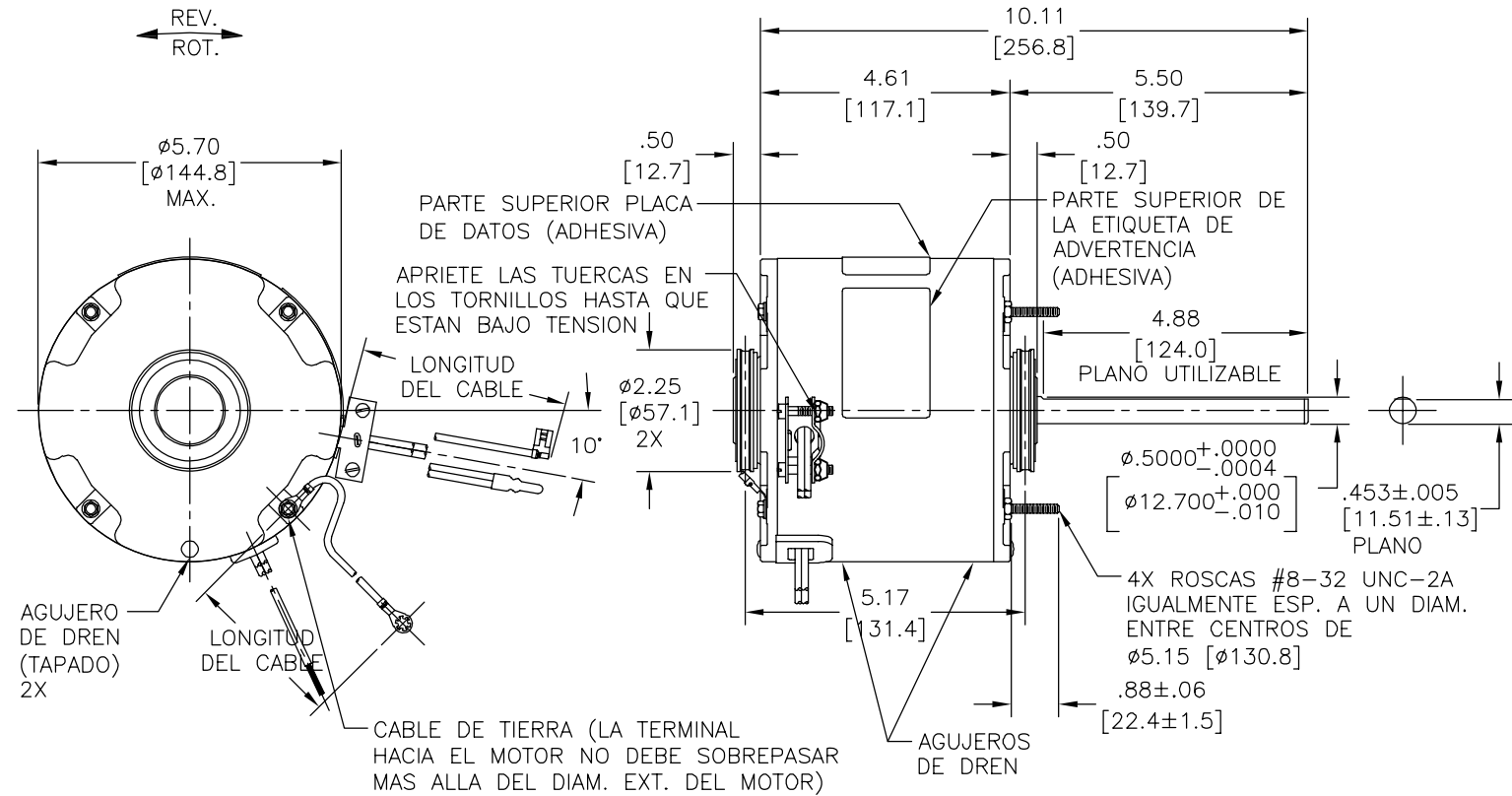
POSICION DEL MONTAJE: TODO EL ANGULO

INFORMACION ELECTRICA:

PROTECTOR DE SOBRECARGA: REINICIO AUTOMATIC (T.I. 7AM 036)

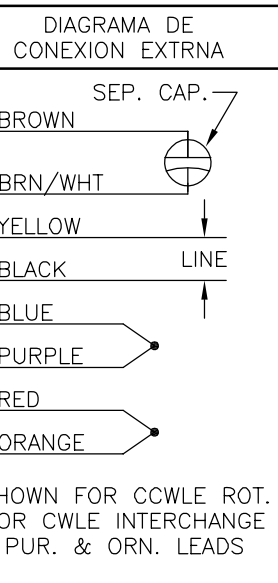
CABLES: NO. 18 GA., .06 [1.5] THK. PVC 105°C AISLAM.

CABLE DE TIERRA: NO. 18 GA., .03 [.8] THK. (VERDE/AMARILLO) AISLAM.



INFORMACION DE ETIQUETA:

MODEL NO.: F48V20A01
 CUST. P/N: UHH1036
 HP: 1/3
 ROT.: REVERSIBLE
 RPM: 1075
 TYPE: UF
 FRAME: 48Y
 VOLTS: 208-230
 PH: 1
 AMPS: 2.2
 HZ: 60/50
 INS.: B
 AMB.: 40° C
 DUTY: AIR OVER
 CAP.: 5 MFD/370 V
 ENCL: ENCLOSED
 UL LOGO
 CSA LOGO
 THERMALLY PROTECTED



614131-124

VERDE/AMARILLO (TIERRA)	12.0/14.0 [305/356]	OJAL #10
CAFE/BLANCO	48.0/52.0 [1219/1321]	.25 [6.4] BANDERA
CAFE	48.0/52.0 [1219/1321]	.25 [6.4] BANDERA
AZUL	48.0/52.0 [1219/1321]	.60 [15.2] DEL PIEL
PURPURA	48.0/52.0 [1219/1321]	.60 [15.2] DEL PIEL
ROJO	48.0/52.0 [1219/1321]	.60 [15.2] DEL PIEL
NARANJA	48.0/52.0 [1219/1321]	.60 [15.2] DEL PIEL
NEGRO	48.0/52.0 [1219/1321]	.60 [15.2] DEL PIEL
AMARILLO	48.0/52.0 [1219/1321]	.60 [15.2] DEL PIEL
COLOR	LONGITUD	TERMINAL O LONGITUD DE DESFORRE

NOTAS:

- (1) BASE DEL MONTAJE 368C81H1
 (2) EMSAMBLE DE LA ABRAZADERA 620836-006
 (1) CAPACITOR 628316-307
 (1) TAPA CAPACITOR 260B913H01
 (1) EMSAMBLE DE SOPORTE 616672
 (4) ANILLOS PARTIDOS 615035
 PARA SER SEPARADO ENVIADO EN CADA CARTON CON EL MOTOR.
- EL MOTOR QUE SE ENVIARA CONECTO PARA LA ROTACION DE CCWLE.

CARCASA - LOC	ENCERRADO
TAPA - LOC	ENCERRADO
CARCASA - LC	ENCERRADO
TAPA - LC	ENCERRADO

CLIENTE	DISTRIBUTION SERVICE
---------	----------------------

CURVAS DE FUNCIONAMIENTO	TORSION @ 1075 RPM (25°C)	MUESTRA APROBADA	COMPONENTE UL	CSA
C31952	33.3 OZ. FT.	0443592A	#ARCHIVO CCN #	#ARCHIVO CLASE #
			E46412 PRGY2	LR43341 4211-01

CARACTERISTICAS DE GEOMETRIA Y SIMBOLOS
 □ PLANICIDAD
 — RECTITUD
 < ANGULARIDAD
 ⊥ PERPENDICULARIDAD (A ESCUADRA)
 // PARALELISMO
 ○ REDONDEZ (CIRCULARIDAD)
 ∅ CILINDRICIDAD
 △ PERFIL DE CUALQUIER SUPERFICIE
 ∩ PERFIL DE CUALQUIER LINEA
 ∩ VARIACION
 ⊕ POSICION REAL
 ⊙ CONCENTRICIDAD
 = SIMETRIA
 ASME Y14.5M 1994

REGAL-BELOIT CORPORATION (RBC) PROVEE ASISTENCIA TECNICA A NUESTROS CLIENTES EN VARIAS AREAS. DESDE QUE RBC NO RECIBE TODOS LOS DATOS EN RELACION AL USO Y A LA APLICACION DEL MOTOR, LA APLICACION ADECUADA DEL MOTOR DEBE SER DETERMINADA POR EL CLIENTE.
 DIMENSIONES SIN TOLERANCIA SON DE REFERENCIA SOLAMENTE

DIBUJADO POR:
 APROBADO POR: B.SHANK 08-25-2004
 TERCER ANGULO DE PROYECCION
 FECHA EDS: 11-11-2011
 REV. FORMATO: G
 CONFIDENCIAL: ESTE DIBUJO Y SU INFORMACION SON PROPIEDAD DE USO EXCLUSIVO Y CONFIDENCIAL DE REGAL-BELOIT CORPORATION. Y NO DEBERAN SER REVELADOS, DUPLICADOS, DISTRIBUIDOS O USARSE DE OTRA MANERA SIN EL CONSENTIMIENTO ESCRITO DE REGAL-BELOIT CORPORATION. -TODOS LOS DERECHOS RESERVADOS.

REGAL-BELOIT CORPORATION

DESCRIPCION: **MODEL-RFHP-48FR OUTLINE**

TAMAÑO: C NUMERO DE DIBUJO: F48V20A01

ESCALA: NONE HOJA: 1

4

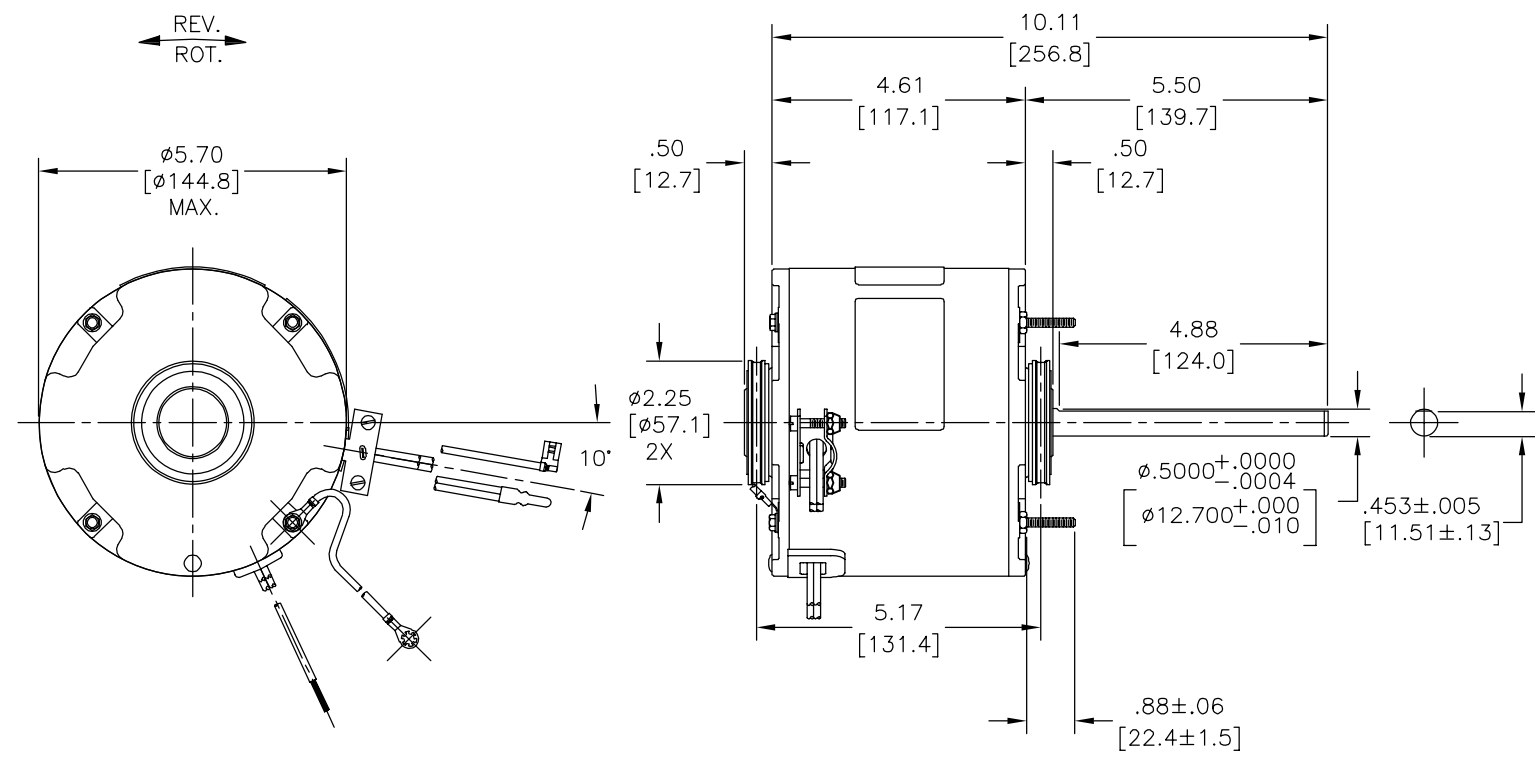
3

2

1

4 3 2 1

版本	ECO	编制	日期	批准	日期
D	0025583	A. ARREOLA	05-03-2012	D. BALDERRAMA	05-03-2012



MODEL NO.: F48V20A01
 CUST. P/N: UHH1036
 HP: 1/3
 ROT.: REVERSIBLE
 RPM: 1075
 TYPE: UF
 FRAME: 48Y
 VOLTS: 208-230
 PH: 1
 AMPS: 2.2
 HZ: 60/50
 INS.: B
 AMB.: 40° C
 DUTY: AIR OVER
 CAP.: 5 MFD/370 V
 ENCL: ENCLOSED
 UL LOGO
 CSA LOGO
 THERMALLY PROTECTED

SEP. CAP.
 BROWN
 BRN/WHT
 YELLOW
 BLACK
 BLUE
 PURPLE
 RED
 ORANGE

LINE

SHOWN FOR CCWLE ROT.
 FOR CWLE INTERCHANGE
 PUR. & ORN. LEADS

614131-124

	12.0/14.0	
	[305/356]	
	48.0/52.0	
	[1219/1321]	
	48.0/52.0	
	[1219/1321]	
	48.0/52.0	
	[1219/1321]	
	48.0/52.0	
	[1219/1321]	
	48.0/52.0	
	[1219/1321]	
	48.0/52.0	
	[1219/1321]	
	48.0/52.0	
	[1219/1321]	

C31952	33.3 OZ. FT.	0443592A	E46412	PRGY2	LR43341	4211-01
--------	--------------	----------	--------	-------	---------	---------

形位公差	平面度	直线度	倾斜度	垂直度	平行度	圆度	圆柱度	面轮廓度	线轮廓度	圆跳动	位置度	同轴度	对称度
ASME Y14.5M 1994													

REGAL-BELOIT CORPORATION (RBC) 在个别领域为客户
 提供技术支持。鉴于RBC
 未收到任何涉及电机使用和
 应用环境的数据，电机的适用性
 由客户自己决定。

未注公差尺寸仅供参考。

REGAL-BELOIT CORPORATION

名称: MODEL-RFHP-48FR
 OUTLINE

图幅: C 图号: F48V20A01

比例: NONE 页号: 1

4 3 2 1