

GENERAL INFORMATION:

SHAFT RUNOUT: .001[.025] T.I.R. PER INCH LENGTH OF EXTENSION

END PLAY: .010 TO .063 [.254 TO 1.600]

BEARINGS: SLEEVE

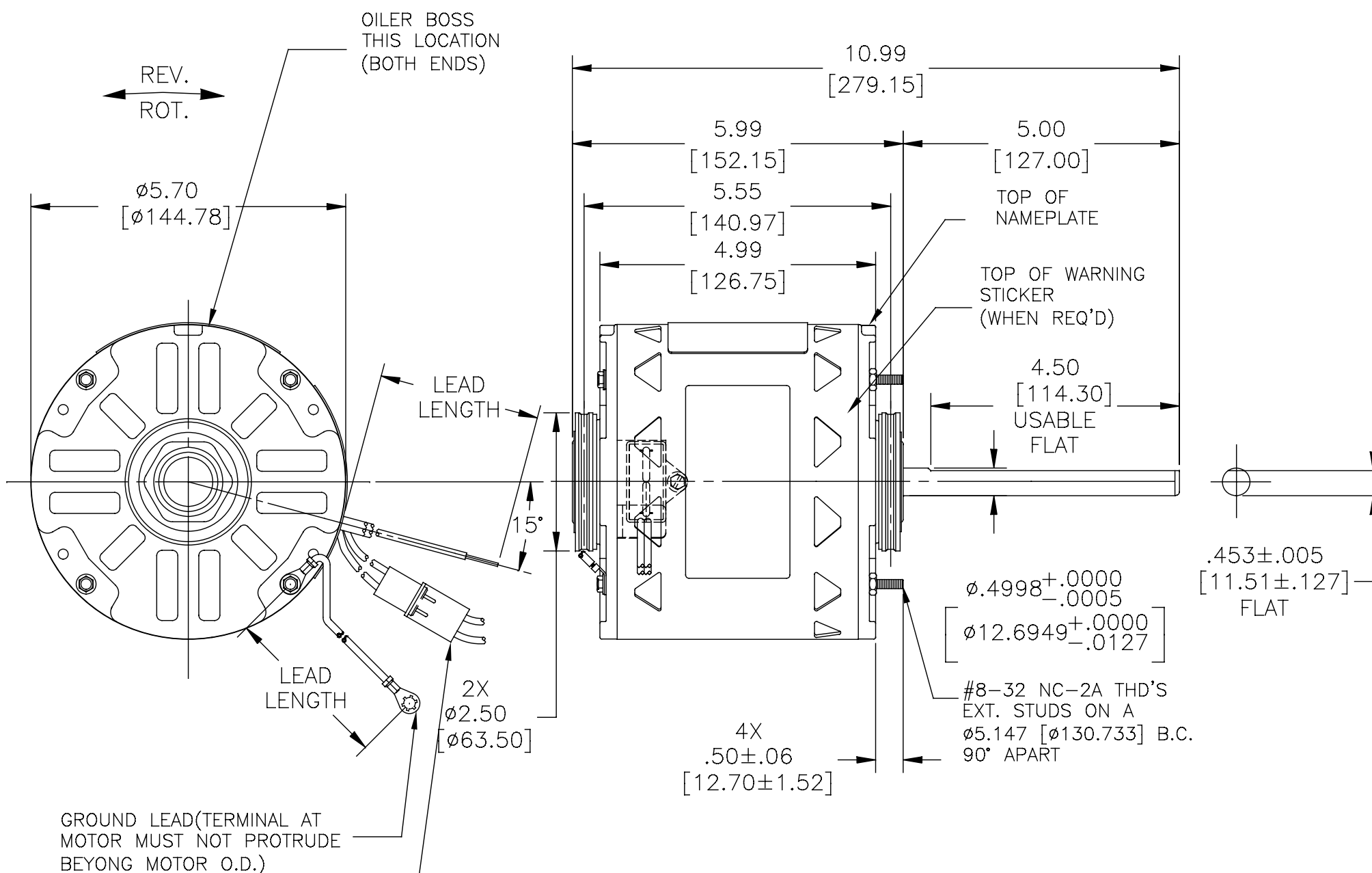
MOUNTING POSITION: HORIZONTAL

ELECTRICAL DATA:

OVERLOAD PROTECTOR: AUTOMATIC RESET (T.I. 7AM 032)

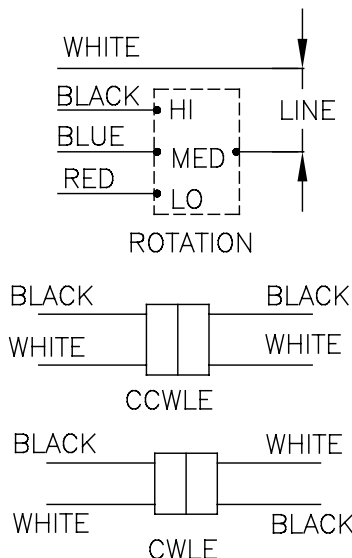
LINE LEADS: NO. 18 GA., .03[.76] THK. CROSS-LINKED POLYETHYLENE 125°C INSUL.

GROUND LEADS: NO. 18 GA., .03[.76] THK. (GREEN) INSUL



NAMEPLATE DATA:	EXTERNAL CONNECTION DIAGRAM
-----------------	-----------------------------

MODEL NO.: F48G33A01
 CUST. P/N: FSP4026
 HP: 1/4
 ROT.: REV.
 RPM: 1000/3 SPD
 TYPE: UF
 FRAME: 48Y
 VOLTS: 115
 PH: 1
 AMPS: 3.3(3.6 MAX)
 HZ: 60
 INS.: A
 AMB.: 40°C
 DUTY: AIR OVER
 CODE: -
 CAP.: 5 MFD/250 V
 ENCL: OPEN
 UL LOGO
 THERMALLY PROTECTED



614131-239

GREEN(GRD)	9.0/11.0 [228.6/279.4]	#10 EYELET
BLACK/WHITE	4.0/6.0 [101.6/152.4]	REVERSING PLUG
BROWN	CONNECTED TO CAPACITOR	.19[4.82] FEMALE SPADE
BROWN/WHITE	CONNECTED TO CAPACITOR	.19[4.82] FEMALE SPADE
WHITE	29.0/32.0 [736.6/812.8]	.60[15.24]SKIN
BLACK	29.0/32.0 [736.6/812.8]	.60[15.24]SKIN
BLUE	29.0/32.0 [736.6/812.8]	.60[15.24]SKIN
RED	29.0/32.0 [736.6/812.8]	.60[15.24]SKIN
COLOR	LENGTH	TERMINAL OR STRIP LENGTH

MAIN FRAME - OLE	OPEN
END FRAME - OLE	OPEN
MAIN FRAME - LE	OPEN
END FRAME - LE	OPEN

PERFORMANCE CURVE NO.	TORQUE @1000 RPM (25°C)	APPROVED SAMPLE	UL COMPONENT		CSA	
			FILE #	CCN #	FILE #	CLASS #
C31300	20.7 OZ. FT.	95AC215A	E46412	PRG2		

DRAWING REVISION	REVISION BY	DATE
F	J.CHAI	10-28-2015
ECO	APPROVED BY	DATE
ECO-0087717	-	10-28-2015
ECO DESCRIPTION		
SEE ECO		

COPYRIGHT REGAL BELOIT AMERICA, INC. ALL RIGHTS RESERVED. PROPRIETARY AND CONFIDENTIAL INFORMATION - THIS DOCUMENT IS THE PROPERTY OF REGAL BELOIT AMERICA, INC. ("OWNER") AND CONTAINS OWNER'S PROPRIETARY INFORMATION. ANY PERSON, CORPORATION OR OTHER FIRM RECEIVING IT IS DEEMED, BY RECEIVING IT, TO AGREE THAT IT, AND/OR ANY PART OF IT, SHALL NOT BE DISCLOSED TO ANY PERSON, CORPORATION OR OTHER ENTITY, DUPLICATED, AND/OR USED, EXCEPT AS EXPRESSLY APPROVED IN WRITING IN ADVANCE BY OWNER. THIS DOCUMENT SHALL BE RETURNED TO OWNER UPON REQUEST. IT MAY BE SUBJECT TO CERTAIN RESTRICTIONS UNDER APPLICABLE EXPORT CONTROL LAWS AND REGULATIONS.

DRAWN BY:	
DATE:	
APPROVED BY:	
DATE:	
PROCESS/FINISH	
THIRD ANGLE PROJECTION	

REGAL™ Regal Beloit America, Inc.
 DESCRIPTION: MODEL-RFHP-48FR
 OUTLINE

SIZE	DWG NO	SHEET
C	FSP4026	1

CUSTOMER DISTRIBUTION SERVICES