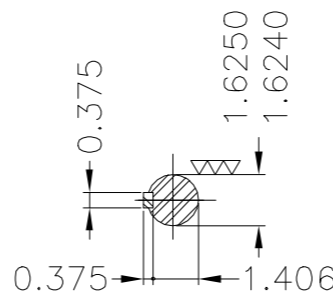
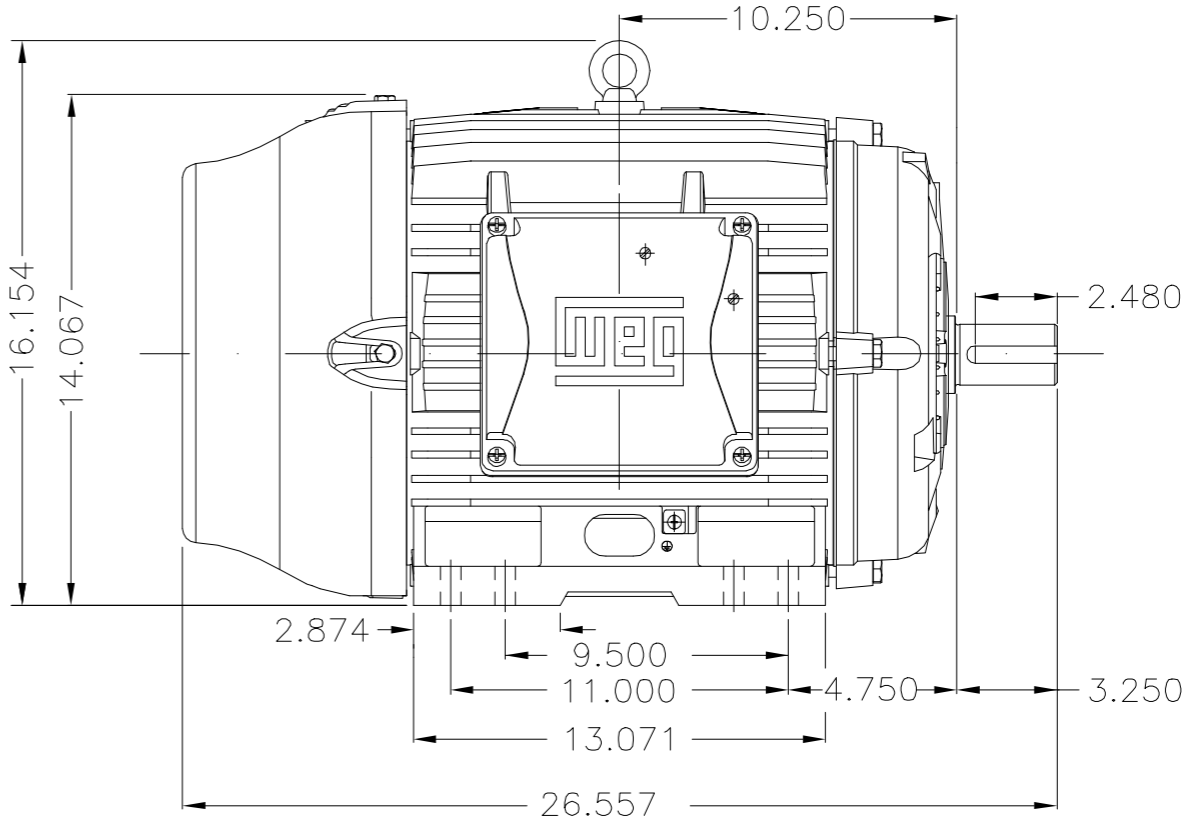
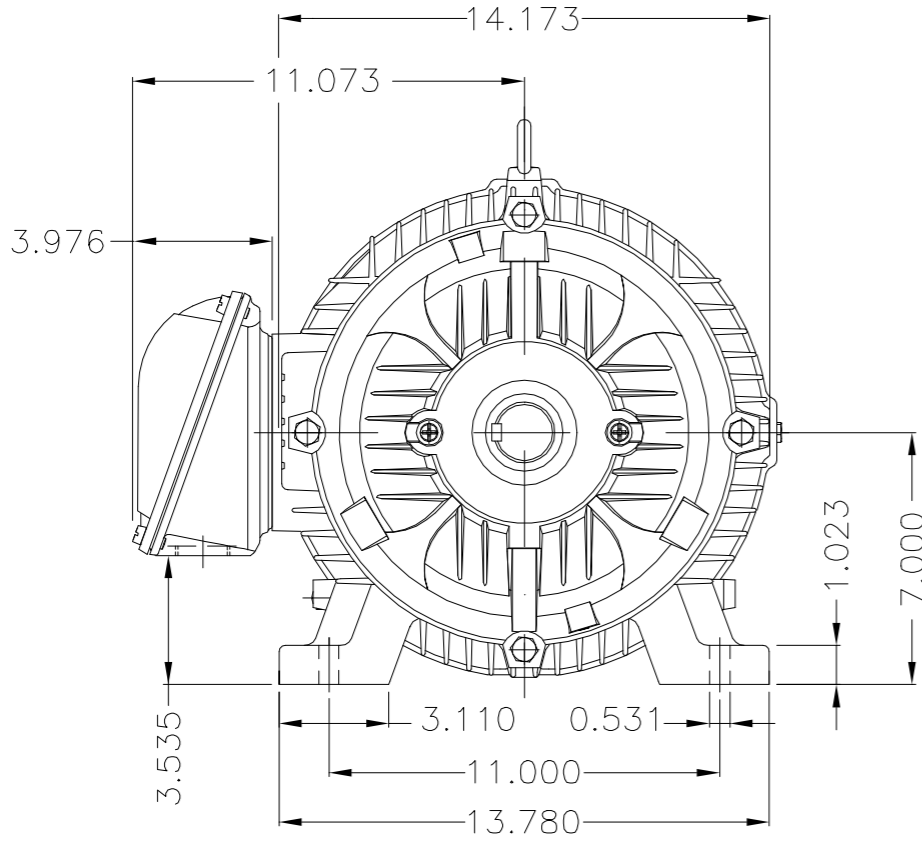
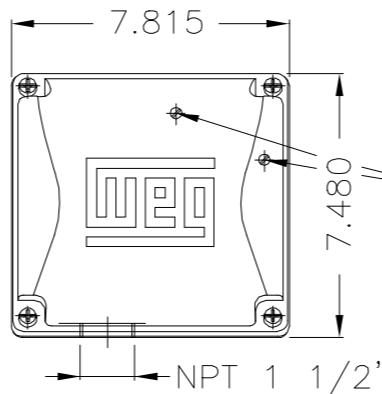


EJE/SHAFT		Dimensões em polegadas Dimensions in inches
ESTÁNDAR/STANDARD	X	
OPCIONAL/OPTIONAL		
ESPECIAL/SPECIAL		

CERTIFIED WEG MOTORES
 Certified document.
 Not subject to changes.

THIS IS AN UPDATED REVISION, THE PREVIOUS ONE MUST BE DISREGARDED.



DE Shaft End

Punta del eje TS / TS shaft end
 Plan de pintura 203A / Painting plan 203A
 Forma constructiva NEMA F-1 / Mounting NEMA F-1
 Forma constructiva B3R(D) / Mounting B3R(D)

WEG ELECTRIC CORPORATION - WEG

OV: 3193533	
PC: CHI.17997	
ECM	LOC
EXEC. /EXECUTED	MCANTERO
VERIF. /CHECKED	
LIBER. /RELEASED	AZUE
DATA LB /REL DT	28.05.2014

500000895431	CHANGE OF DIMENSIONS	MCANTERO	AZUE	28.05.2014	01		
500000895015	DOCUMENTO NOVO	MCANTERO	AZUE	28.05.2014	00		
ECM	LOC	RESUMO MODIFICAÇÃO	EXECUTADO	VERIFICADO	LIBERADO	DATA	VER
		SUMMARY OF MODIFICATIONS	EXECUTED	CHECKED	RELEASED	DATE	VER
		THREE PHASE W22 MOTOR - HIGH EFF					
		CARÇAÇA 284/GTS IP55					
						10002888222	
						000	01

30 HP 04 Polos 50 Hz 413441213/0



UNCONTROLLED COPY

RELEASED

ZME A3