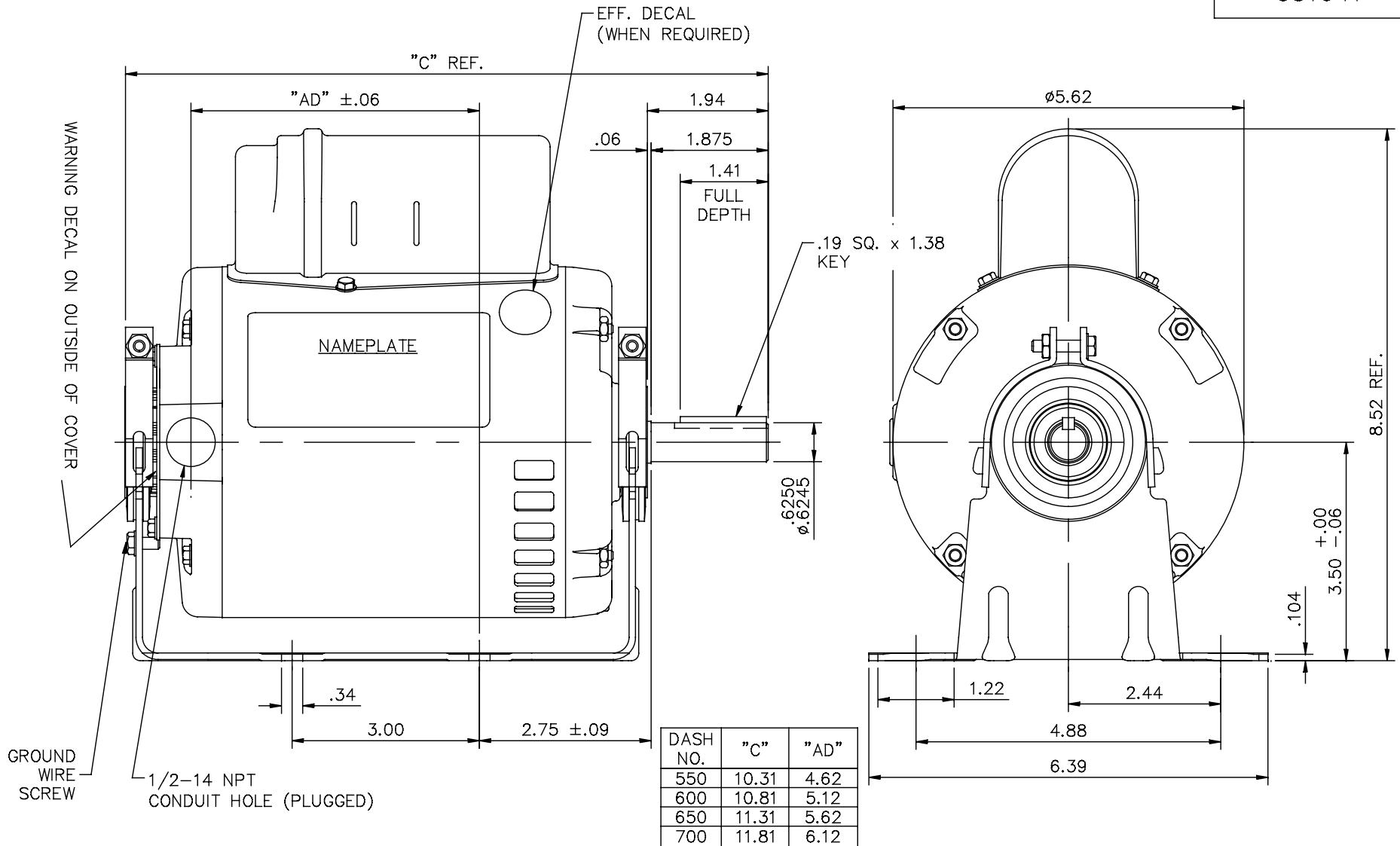


031641



				TOLERANCES UNLESS OTHERWISE SPECIFIED			LEESON ELECTRIC CORPORATION			
				DEC.	INCHES	METRIC	DRAWN PG 7/25/01		TITLE	
				.X	±.1	±2.5	APPR.		OUTLINE - S56 FRAME	
A				.XX	±.03	±.76	R.F.P.		RESILIENT MOUNT - DRIP PROOF	
& EFF DECAL				.XXX	±.005	±.127	SCALE 1=2		MAT'L. 1 PHASE	
NO.	REVISION	BY & DATE	CH'K'D.	.XXXX	±.0005	±.0127	REF. 030485		FINISH	REV. A
THIS DRAWING IN DESIGN AND DETAIL IS OUR PROPERTY AND MUST NOT BE USED EXCEPT IN CONNECTION WITH OUR WORK ALL RIGHTS OF DESIGN AND INVENTION ARE RESERVED THIS IS AN ELECTRONICALLY GENERATED DOCUMENT - DO NOT SCALE THIS PRINT				FRACTIONS ±1/64		REF. 030485		FINISH		DRAWING NO. 031641
				ANGLES ±1/2°		FMF				