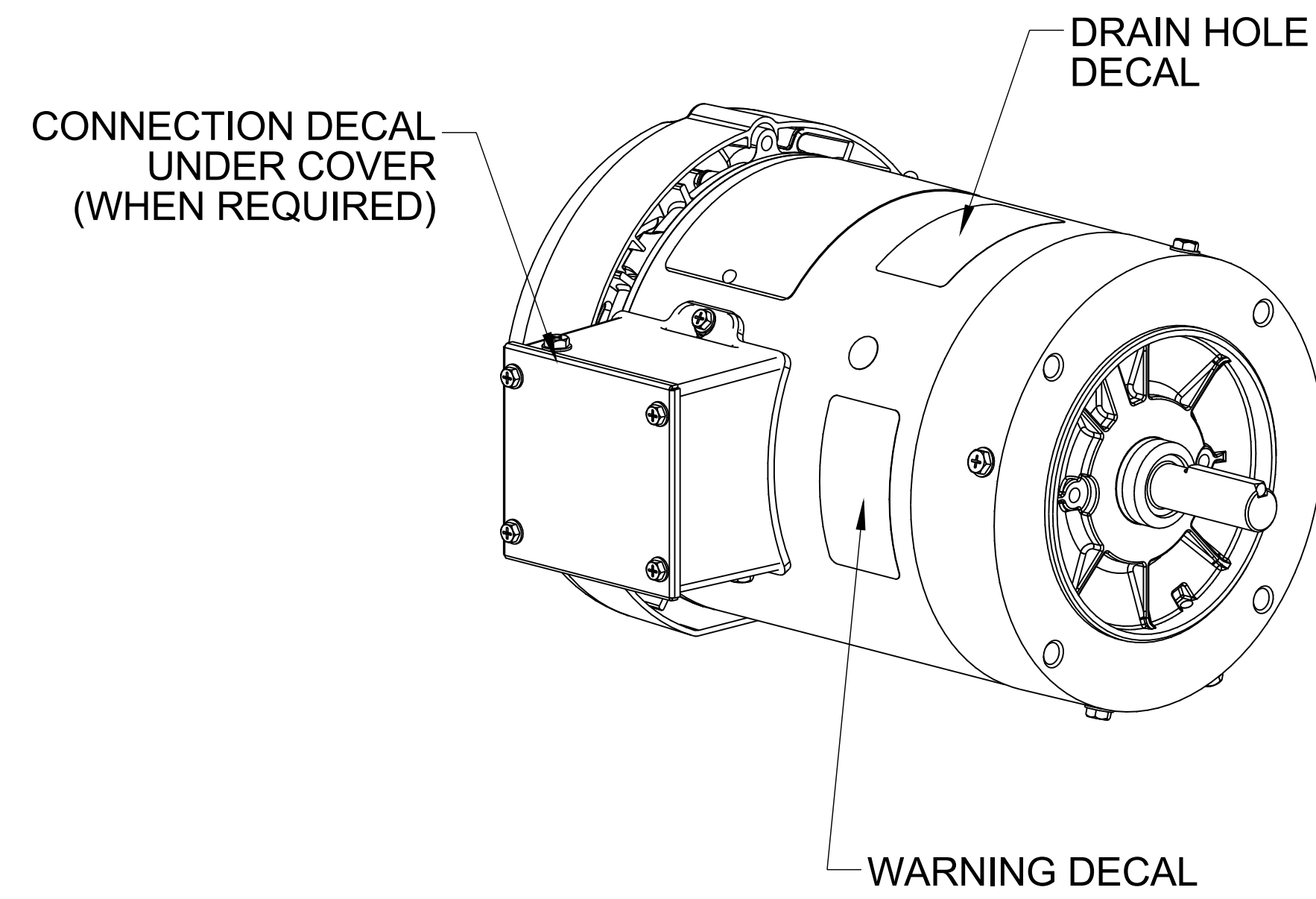


(1) 1/2-14 NPT  
CONDUIT HOLE  
(PLUGGED)

3/8-16 UNC-2B x .56 DEEP  
(4) REQ'D. ON A Ø5.875 B.C.

DASH NO.	"C"	"AD"
450	10.37	4.56
500	10.87	5.06
550	11.37	5.56
600	11.87	6.06
650	12.37	6.56
675	12.62	6.81
700	12.87	7.06
750	13.37	7.56
800	13.87	8.06

**WASHGUARD MOTOR**  
SPECIAL FEATURES:  
1. SHAFT SEALS & V-RING.  
2. PLUGGED DRAIN HOLES IN ENDBELLS & CONDUIT BOX.  
3. BUNA-N GASKETS THROUGHOUT.  
4. STAINLESS STEEL SHAFT, HARDWARE & NAMEPLATE.



DRAWING REVISION <b>C</b>	REVISION BY <b>LK</b>	DATE <b>11/30/2015</b>
ECO <b>ECO-0089675</b>	APPROVED BY <b>GRB</b>	DATE <b>11/30/2015</b>
ECO DESCRIPTION <b>ADDED DASH #800 PER NMR-0093544</b>		
<small>COPYRIGHT REGAL BELOIT AMERICA, INC. ALL RIGHTS RESERVED. PROPRIETARY AND CONFIDENTIAL INFORMATION - THIS DOCUMENT IS THE PROPERTY OF REGAL BELOIT AMERICA, INC. ("OWNER") AND CONTAINS OWNER'S PROPRIETARY INFORMATION. ANY PERSON, CORPORATION OR OTHER FIRM RECEIVING IT IS DEEMED, BY RECEIVING IT, TO AGREE THAT IT, AND/OR ANY PART OF IT, SHALL NOT BE DISCLOSED TO ANY PERSON, CORPORATION OR OTHER ENTITY, DUPLICATED, AND/OR USED, EXCEPT AS EXPRESSLY APPROVED IN WRITING IN ADVANCE BY OWNER. THIS DOCUMENT SHALL BE RETURNED TO OWNER UPON REQUEST. IT MAY BE SUBJECT TO CERTAIN RESTRICTIONS UNDER APPLICABLE EXPORT CONTROL LAWS AND REGULATIONS.</small>		

TOLERANCES UNLESS OTHERWISE SPECIFIED:			
DEC.	INCH	mm	ANGLE
.X	±0.1	[±2.5]	±0.5°
.XX	±0.01	[±0.25]	
.XXX	±0.005	[±0.127]	
.XXXX	±0.0005	[±0.0127]	
REMOVE BURRS & BREAK SHARP EDGES: .003/.015 [0.076/.381] X 45° CORNER FILLETS: R.02 [.51] MACHINED SURFACES: 125 INCH 3.2 mm SHOWN IN [BRACKETS]			

DRAWN BY <b>PVR 12/24/12</b>
DATE
APPROVED BY
DATE
REFERENCE
THIRD ANGLE PROJECTION

<b>REGAL</b> ™ Regal Beloit America, Inc.	
DESCRIPTION	<b>OUTLINE</b> TEFC - "C" FACE
MATERIAL	WASHGUARD
PROCESS/FINISH	
SIZE	<b>B</b>
DRAWING NUMBER	<b>607-0006ME</b>
SHEET	<b>1 OF 1</b>