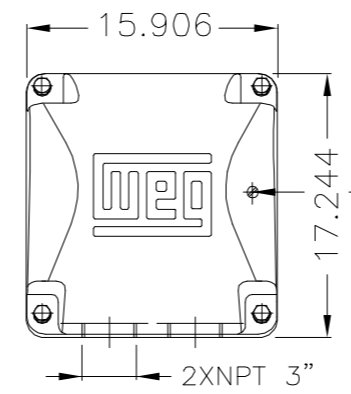
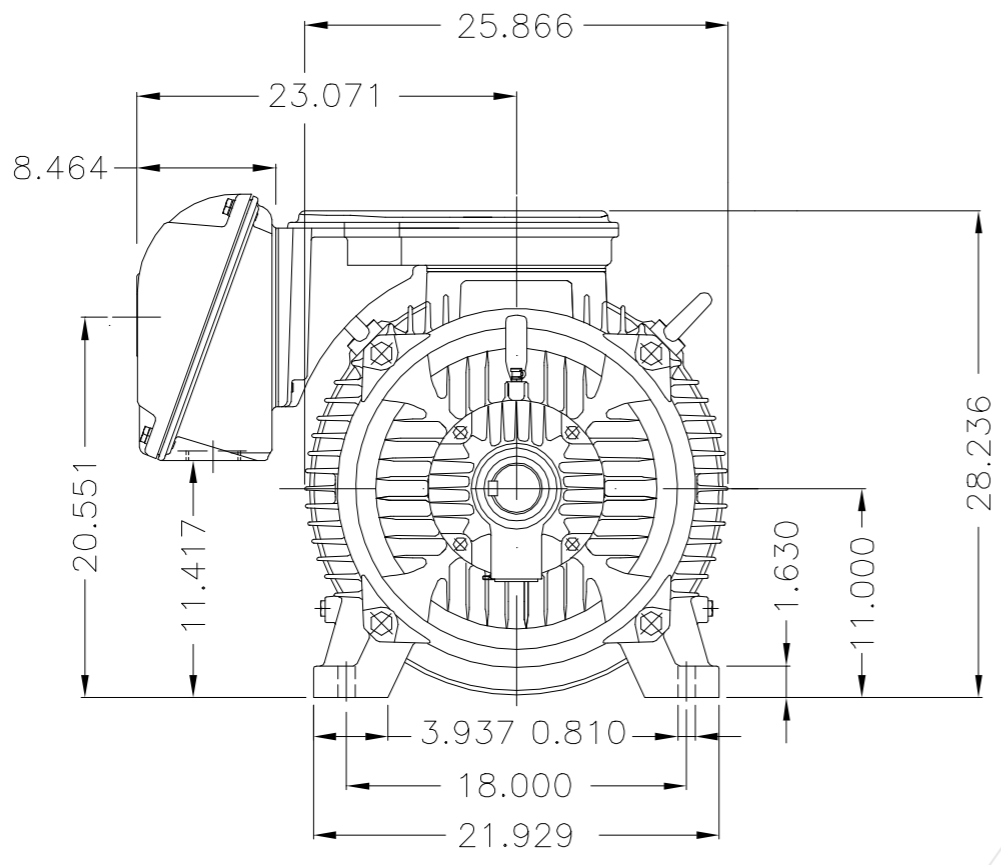


No reproduction of this drawing is allowed without written permission of WEG Motores

EIXO	
PADRÃO	X
OPCIONAL	
ESPECIAL	

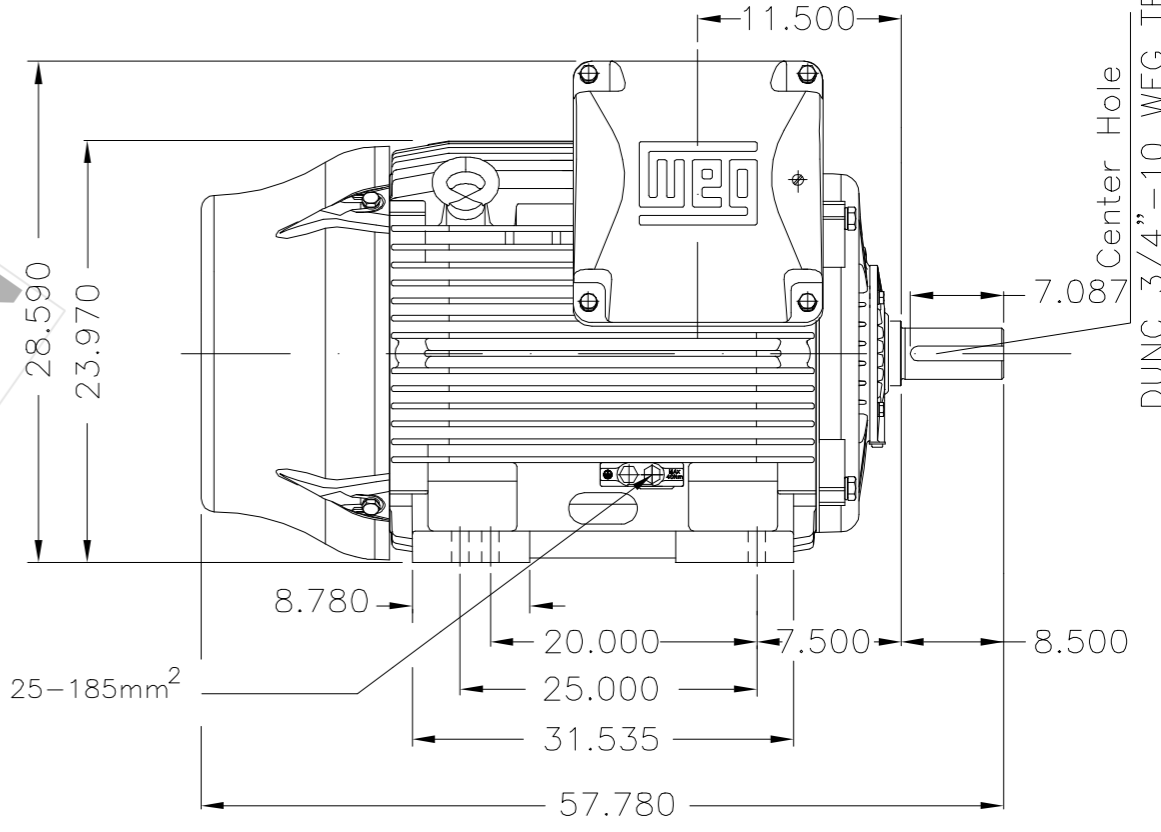
Dimensões em polegada  
Dimensions in inch

THIS IS AN UPDATED REVISION, THE PREVIOUS ONE MUST BE DISREGARDED.

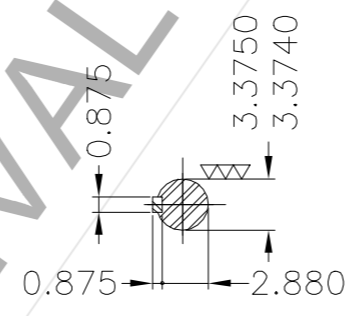


Main terminal box

Grounding for leads 35-70mm<sup>2</sup>



Grounding for leads 25-185mm<sup>2</sup>



DE Shaft End

EVALUATION

Plano de pintura 202E / Painting plan 202E					
Forma construtiva B3D / Mounting B3R(D)					
<b>WEG ELECTRIC CORPORATION - WEC</b>					
500000846377		ATUALIZADO ATERRAMENTO	RICARDOAN		02
500000381921		RET. CARIMBO LOTE PILOTO	GUILHERMEZ	ADRIANAP	08.11.2010 01
ECM ECM	LOC LOC	RESUMO MODIFICAÇÃO SUMMARY OF MODIFICATIONS	EXECUTADO EXECUTED	VERIFICADO CHECKED	LIBERADO RELEASED
EXEC. /EXECUTED	ALCIDESZ	THREE PH. W22 NEMA P.EFF MOTOR IEEEE841 FRAME L447/9T IP55	10000852600		
VERIF. /CHECKED			000	02	
LIBER. /RELEASED	ADEMILSON				
DATA LB /REL DT	21.05.2010	WMO-JGS	JARAGUÁ DO SUL	ENG. MOTORES INDUSTRIAIS	FOLHA/SHEET 1 / 1

300 HP 06 Poles 60Hz 402632389/0 ELET/MEC

UNCONTROLLED COPY UNDER APPROVAL ZME A3